

# Spansion<sup>®</sup> Analog and Microcontroller Products



---

The following document contains information on Spansion analog and microcontroller products. Although the document is marked with the name "Fujitsu", the company that originally developed the specification, Spansion will continue to offer these products to new and existing customers.

## **Continuity of Specifications**

There is no change to this document as a result of offering the device as a Spansion product. Any changes that have been made are the result of normal document improvements and are noted in the document revision summary, where supported. Future routine revisions will occur when appropriate, and changes will be noted in a revision summary.

## **Continuity of Ordering Part Numbers**

Spansion continues to support existing part numbers beginning with "MB". To order these products, please use only the Ordering Part Numbers listed in this document.

## **For More Information**

Please contact your local sales office for additional information about Spansion memory, analog, and microcontroller products and solutions.

### ***Colophon***

The products described in this document are designed, developed and manufactured as contemplated for general use, including without limitation, ordinary industrial use, general office use, personal use, and household use, but are not designed, developed and manufactured as contemplated (1) for any use that includes fatal risks or dangers that, unless extremely high safety is secured, could have a serious effect to the public, and could lead directly to death, personal injury, severe physical damage or other loss (i.e., nuclear reaction control in nuclear facility, aircraft flight control, air traffic control, mass transport control, medical life support system, missile launch control in weapon system), or (2) for any use where chance of failure is intolerable (i.e., submersible repeater and artificial satellite). Please note that Spansion will not be liable to you and/or any third party for any claims or damages arising in connection with above-mentioned uses of the products. Any semiconductor devices have an inherent chance of failure. You must protect against injury, damage or loss from such failures by incorporating safety design measures into your facility and equipment such as redundancy, fire protection, and prevention of over-current levels and other abnormal operating conditions. If any products described in this document represent goods or technologies subject to certain restrictions on export under the Foreign Exchange and Foreign Trade Law of Japan, the US Export Administration Regulations or the applicable laws of any other country, the prior authorization by the respective government entity will be required for export of those products.

### ***Trademarks and Notice***

The contents of this document are subject to change without notice. This document may contain information on a Spansion product under development by Spansion. Spansion reserves the right to change or discontinue work on any product without notice. The information in this document is provided as is without warranty or guarantee of any kind as to its accuracy, completeness, operability, fitness for particular purpose, merchantability, non-infringement of third-party rights, or any other warranty, express, implied, or statutory. Spansion assumes no liability for any damages of any kind arising out of the use of the information in this document.

Copyright © 2013 Spansion Inc. All rights reserved. Spansion®, the Spansion logo, MirrorBit®, MirrorBit® Eclipse™, ORNAND™ and combinations thereof, are trademarks and registered trademarks of Spansion LLC in the United States and other countries. Other names used are for informational purposes only and may be trademarks of their respective owners.

---

*32-bit ARM™ Cortex™-M4F based Microcontroller*

# FM4 MB9B460L Series

## MB9BF464K/L, MB9BF465K/L, MB9BF466K/L

### ■ DESCRIPTION

The MB9B460L Series are a highly integrated 32-bit microcontrollers dedicated for embedded controllers with high-performance and competitive cost.

These series are based on the ARM Cortex-M4F Processor with on-chip Flash memory and SRAM, and has peripheral functions such as Motor Control Timers, ADCs and Communication Interfaces (CAN, UART, CSIO, I<sup>2</sup>C, LIN).

Note: ARM and Cortex are the trademarks of ARM Limited in the EU and other countries.

**ARM™**

## ■ FEATURES

- 32-bit ARM Cortex-M4F Core
  - Processor version: r0p1
  - Up to 160 MHz Frequency Operation
  - FPU built-in
  - Support DSP instruction
  - Memory Protection Unit (MPU): improves the reliability of an embedded system
  - Integrated Nested Vectored Interrupt Controller (NVIC): 1 NMI (non-maskable interrupt) and 128 peripheral interrupts and 16 priority levels
  - 24-bit System timer (Sys Tick): System timer for OS task management

- On-chip Memories

### [Flash memory]

These series are based on two independent on-chip Flash memories.

- MainFlash memory
  - Up to 512 Kbytes
  - Built-in Flash Accelerator System with 16 Kbytes trace buffer memory
  - The read access to Flash memory can be achieved without wait-cycle up to operation frequency of 72 MHz. Even at the operation frequency more than 72 MHz, an equivalent access to Flash memory can be obtained by Flash Accelerator System.
  - Security function for code protection
- WorkFlash memory
  - 32 Kbytes
  - Read cycle:
    - 6wait-cycle: the operation frequency more than 120 MHz, and up to 160 MHz
    - 4wait-cycle: the operation frequency more than 72 MHz, and up to 120 MHz
    - 2wait-cycle: the operation frequency more than 40 MHz, and up to 72 MHz
    - 0wait-cycle: the operation frequency up to 40MHz
  - Security function is shared with code protection

### [SRAM]

This is composed of three independent SRAMs (SRAM0, SRAM1 and SRAM2). SRAM0 is connected to I-code bus or D-code bus of Cortex-M4F core. SRAM1 and SRAM2 are connected to System bus of Cortex-M4F core.

- SRAM0: Up to 32 Kbytes
- SRAM1: Up to 16 Kbytes
- SRAM2: Up to 16 Kbytes

- **CAN Interface (Max 1 channels)**
  - Compatible with CAN Specification 2.0A/B
  - Maximum transfer rate: 1 Mbps
  - Built-in 32 message buffer
- **Multi-function Serial Interface (Max 6 channels)**
  - 64 bytes with FIFO (the FIFO step numbers are variable depending on the settings of the communication mode or bit length.)
  - Operation mode is selectable from the followings for each channel.
    - UART
    - CSIO
    - LIN
    - I<sup>2</sup>C

#### [UART]

- Full-duplex double buffer
- Selection with or without parity supported
- Built-in dedicated baud rate generator
- External clock available as a serial clock
- Hardware Flow control : Automatically control the transmission by CTS/RTS (only ch.4)
- Various error detect functions available (parity errors, framing errors, and overrun errors)

#### [CSIO]

- Full-duplex double buffer
- Built-in dedicated baud rate generator
- Overrun error detect function available
- Serial chip select function (ch.6 only)
- Supports high-speed SPI (ch.0 and ch.6 only)
- Data length 5 to 16-bit

#### [LIN]

- LIN protocol Rev.2.1 supported
- Full-duplex double buffer
- Master/Slave mode supported
- LIN break field generation (can change to 13 to 16-bit length)
- LIN break delimiter generation (can change to 1 to 4-bit length)
- Various error detect functions available (parity errors, framing errors, and overrun errors)

#### [I<sup>2</sup>C]

- Standard mode (Max 100 kbps) / High-speed mode (Max 400 kbps) supported
- Fast mode Plus (Fm+) (Max 1000 kbps, only for ch.3=ch.A and ch.4=ch.B) supported

- **DMA Controller (8 channels)**

DMA Controller has an independent bus for CPU, so CPU and DMA Controller can process simultaneously.

- 8 independently configured and operated channels
- Transfer can be started by software or request from the built-in peripherals
- Transfer address area: 32-bit (4 Gbytes)
- Transfer mode: Block transfer/Burst transfer/Demand transfer
- Transfer data type: bytes/half-word/word
- Transfer block count: 1 to 16
- Number of transfers: 1 to 65536

- **DSTC (Descriptor System data Transfer Controller) (128 channels)**

The DSTC can transfer data at high-speed without going via the CPU. The DSTC adopts the Descriptor system and, following the specified contents of the Descriptor which has already been constructed on the memory, can access directly the memory /peripheral device and performs the data transfer operation.

It supports the software activation, the hardware activation and the chain activation functions.

# MB9B460L Series

- A/D Converter (Max 15 channels)
  - [12-bit A/D Converter]
    - Successive Approximation type
    - Built-in 2 units
    - Conversion time: 0.5 $\mu$ s @ 5V
    - Priority conversion available (priority at 2levels)
    - Scanning conversion mode
    - Built-in FIFO for conversion data storage (for SCAN conversion: 16steps, for Priority conversion: 4steps)
- DA converter (Max 2 channels)
  - R-2R type
  - 12-bit resolution
- Base Timer (Max 8 channels)

Operation mode is selectable from the followings for each channel.

  - 16-bit PWM timer
  - 16-bit PPG timer
  - 16/32-bit reload timer
  - 16/32-bit PWC timer
- General Purpose I/O Port

This series can use its pins as general purpose I/O ports when they are not used for external bus or peripherals. Moreover, the port relocate function is built in. It can set which I/O port the peripheral function can be allocated.

  - Capable of pull-up control per pin
  - Capable of reading pin level directly
  - Built-in the port relocate function
  - Up to 48 high-speed general-purpose I/O ports @ 64pin Package
  - Some pin is 5V tolerant I/O.  
See "■PIN DESCRIPTION" and "■I/O CIRCUIT TYPE" for the corresponding pins.

- **Multi-function Timer (Max 2 units)**

The Multi-function timer is composed of the following blocks.

Minimum resolution : 6.25 ns

- 16-bit free-run timer × 3ch./unit
- Input capture × 4ch./unit
- Output compare × 6ch./unit
- A/D activation compare × 6ch./unit
- Waveform generator × 3ch./unit
- 16-bit PPG timer × 3ch./unit

The following function can be used to achieve the motor control.

- PWM signal output function
- DC chopper waveform output function
- Dead time function
- Input capture function
- A/D convertor activate function
- DTIF (Motor emergency stop) interrupt function

- **Real-time clock (RTC)**

The Real-time clock can count Year/Month/Day/Hour/Minute/Second/A day of the week from 01 to 99.

- Interrupt function with specifying date and time (Year/Month/Day/Hour/Minute/Second/A day of the week.) is available. This function is also available by specifying only Year, Month, Day, Hour or Minute.
- Timer interrupt function after set time or each set time.
- Capable of rewriting the time with continuing the time count.
- Leap year automatic count is available.

- **Quadrature Position/Revolution Counter (QPRC) (Max 1 channel)**

The Quadrature Position/Revolution Counter (QPRC) is used to measure the position of the position encoder. Moreover, it is possible to use up/down counter.

- The detection edge of the three external event input pins AIN, BIN and ZIN is configurable.
- 16-bit position counter
- 16-bit revolution counter
- Two 16-bit compare registers

- **Dual Timer (32/16-bit Down Counter)**

The Dual Timer consists of two programmable 32/16-bit down counters. Operation mode is selectable from the followings for each channel.

- Free-running
- Periodic (=Reload)
- One-shot

- **Watch Counter**

The Watch counter is used for wake up from the low-power consumption mode. It is possible to select the main clock, sub clock, built-in high-speed CR clock or built-in low-speed CR clock as the clock source.

Interval timer: up to 64s (Max) @ Sub Clock : 32.768 kHz

# MB9B460L Series

- External Interrupt Controller Unit
  - External interrupt input pin: Max 16 pins
  - Include one non-maskable interrupt (NMI)

- Watchdog Timer (2 channels)

A watchdog timer can generate interrupts or a reset when a time-out value is reached.

This series consists of two different watchdogs, a "Hardware" watchdog and a "Software" watchdog.

"Hardware" watchdog timer is clocked by low-speed internal CR oscillator. Therefore, "Hardware" watchdog is active in any power saving mode except STOP.

- CRC (Cyclic Redundancy Check) Accelerator

The CRC accelerator helps a verify data transmission or storage integrity.

CCITT CRC16 and IEEE-802.3 CRC32 are supported.

- CCITT CRC16 Generator Polynomial: 0x1021
- IEEE-802.3 CRC32 Generator Polynomial: 0x04C11DB7

- Clock and Reset

[Clocks]

Five clock sources (2 external oscillators, 2 internal CR oscillator, and Main PLL) that are dynamically selectable.

- Main clock : 4 MHz to 48 MHz
- Sub Clock : 32.768 kHz
- High-speed internal CR Clock : 4 MHz
- Low-speed internal CR Clock : 100 kHz
- Main PLL Clock

[Resets]

- Reset requests from INITX pin
- Power on reset
- Software reset
- Watchdog timers reset
- Low voltage detector reset
- Clock supervisor reset

- Clock Super Visor (CSV)

Clocks generated by internal CR oscillators are used to supervise abnormality of the external clocks.

- External OSC clock failure (clock stop) is detected, reset is asserted.
- External OSC frequency anomaly is detected, interrupt or reset is asserted.

- Low-Voltage Detector (LVD)

This Series include 2-stage monitoring of voltage on the VCC pins. When the voltage falls below the voltage has been set, Low-Voltage Detector generates an interrupt or reset.

- LVD1: error reporting via interrupt
- LVD2: auto-reset operation



- Low-power Consumption Mode

Six low-power consumption modes are supported.

- SLEEP
- TIMER
- RTC
- STOP
- Deep standby RTC (selectable from with/without RAM retention)
- Deep standby stop (selectable from with/without RAM retention)

- VBAT

The consumption power during the RTC operation can be reduced by supplying the power supply independent from the RTC (calendar circuit)/32 kHz oscillation circuit. The following circuits can also be used.

- RTC
- 32 kHz oscillation circuit
- Power-on circuit
- Back up register : 32 bytes
- Port circuit

- Debug

Serial Wire JTAG Debug Port (SWJ-DP)

- Unique ID

Unique value of the device (41-bit) is set.

- Power Supply

Three Power Supplies

- Wide range voltage : VCC = 2.7V to 5.5V
- Power supply for VBAT : VBAT = 2.7V to 5.5V

# MB9B460L Series

## ■ PRODUCT LINEUP

### ● Memory size

Product name	MB9BF464K/L	MB9BF465K/L	MB9BF466K/L
MainFlash memory	256 Kbytes	384 Kbytes	512 Kbytes
WorkFlash memory	32 Kbytes	32 Kbytes	32 Kbytes
On-chip SRAM	32 Kbytes	48 Kbytes	64 Kbytes
SRAM0	16 Kbytes	24 Kbytes	32 Kbytes
SRAM1	8 Kbytes	12 Kbytes	16 Kbytes
SRAM2	8 Kbytes	12 Kbytes	16 Kbytes

# MB9B460L Series

● Function

Product name		MB9BF464K MB9BF465K MB9BF466K	MB9BF464L MB9BF465L MB9BF466L
Pin count		48	64
CPU		Cortex-M4F, MPU, NVIC 128ch.	
Freq.		160 MHz	
Power supply voltage range		2.7V to 5.5V	
CAN		1ch.	
DMAC		8ch.	
DSTC		128ch.	
Multi-function Serial Interface (UART/CSIO/LIN/I <sup>2</sup> C)		6ch. (Max) (In ch.1, only I <sup>2</sup> C is available.)	6ch. (Max)
Base Timer (PWC/Reload timer/PWM/PPG)		8ch. (Max)	
MF Timer	A/D activation compare	6ch.	1 unit
	Input capture	4ch.	
	Free-run timer	3ch.	
	Output compare	6ch.	
	Waveform generator	3ch.	
	PPG	3ch.	
QPRC		1ch.	
Dual Timer		1 unit	
Real-Time Clock		1 unit	
Watch Counter		1 unit	
CRC Accelerator		Yes	
Watchdog Timer		1ch. (SW) + 1ch. (HW)	
External Interrupts		15pins (Max) + NMI × 1	16pins (Max) + NMI × 1
I/O Ports		33pins (Max)	48pins (Max)
12-bit A/D Converter		8ch. (2 units)	15ch. (2 units)
12-bit D/A Converter		2 units (Max)	
CSV (Clock Super Visor)		Yes	
LVD (Low-Voltage Detector)		2ch.	
Built-in CR	High-speed	4 MHz (±2%)	
	Low-speed	100 kHz (Typ)	
Debug Function		SWJ-DP	
Unique ID		Yes	

Note: All signals of the peripheral function in each product cannot be allocated by limiting the pins of package.  
It is necessary to use the port relocate function of the I/O port according to your function use.

# MB9B460L Series

## ■ PACKAGES

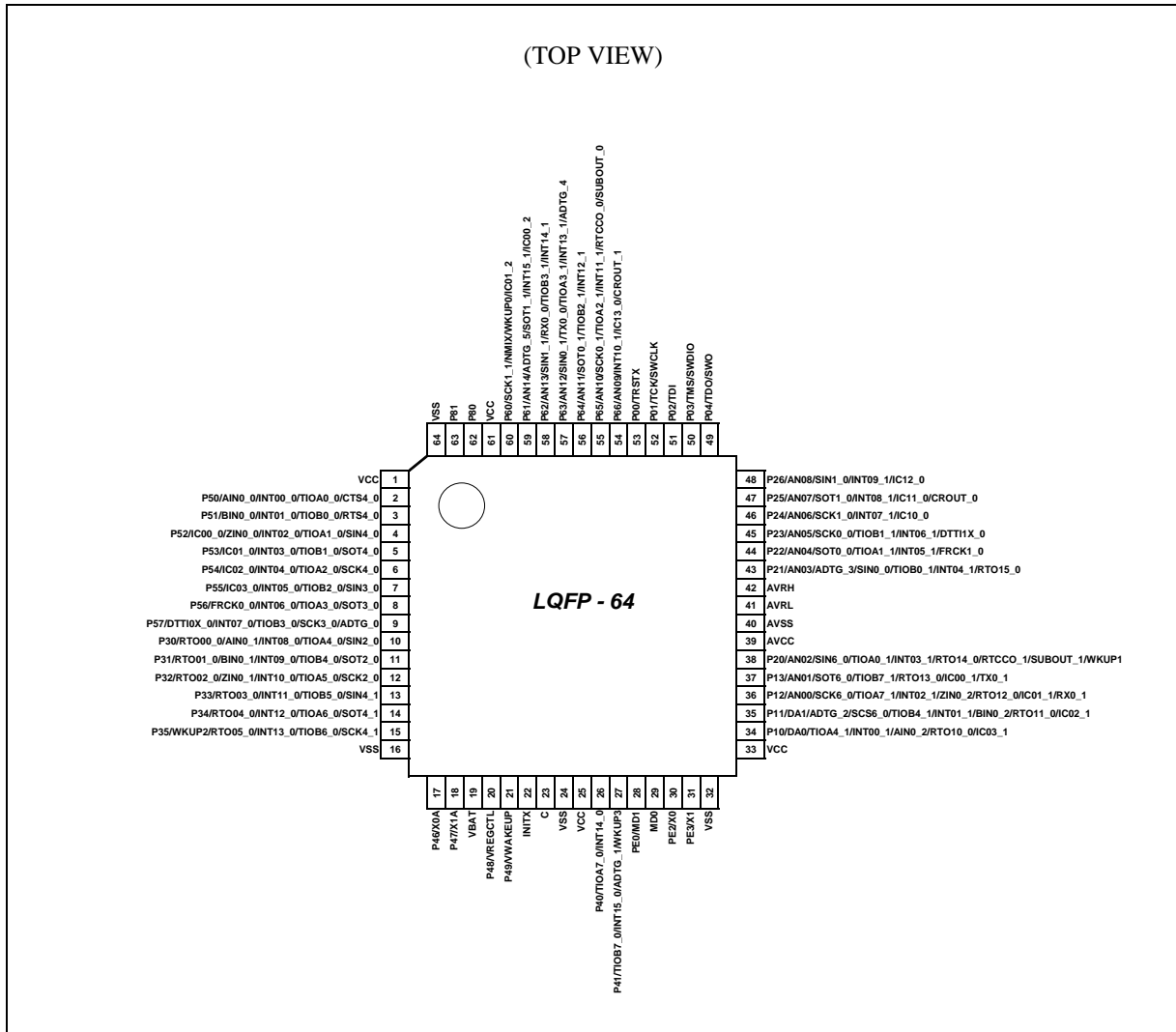
Package \ Product name	MB9BF464K MB9BF465K MB9BF466K	MB9BF464L MB9BF465L MB9BF466L
LQFP: FPT-64P-M39 (0.65mm pitch)	-	○
LQFP: FPT-64P-M38 (0.5mm pitch)	-	○
LQFP: FPT-48P-M49 (0.5mm pitch)	○	-
QFN: LCC-64P-M24 (0.5mm pitch)	-	○
QFN: LCC-48P-M73 (0.5mm pitch)	○	-

○ : Supported

Note : See "■PACKAGE DIMENSIONS" for detailed information on each package.

## ■ PIN ASSIGNMENT

• FPT-64P-M38/M39

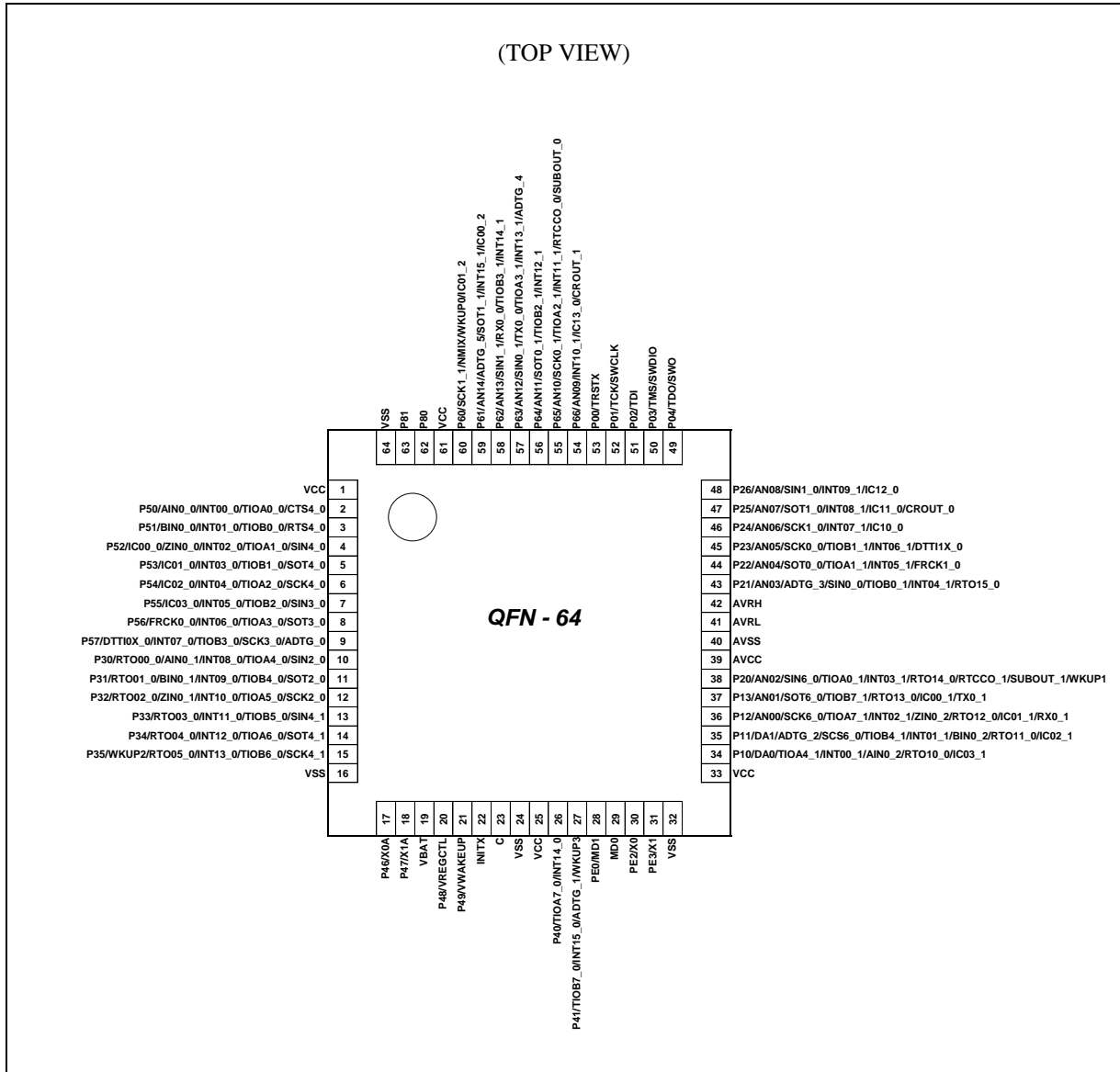


### <Note>

The number after the underscore ("\_") in pin names such as XXX\_1 and XXX\_2 indicates the relocated port number. For these pins, there are multiple pins that provide the same function for the same channel. Use the extended port function register (EPFR) to select the pin.

# MB9B460L Series

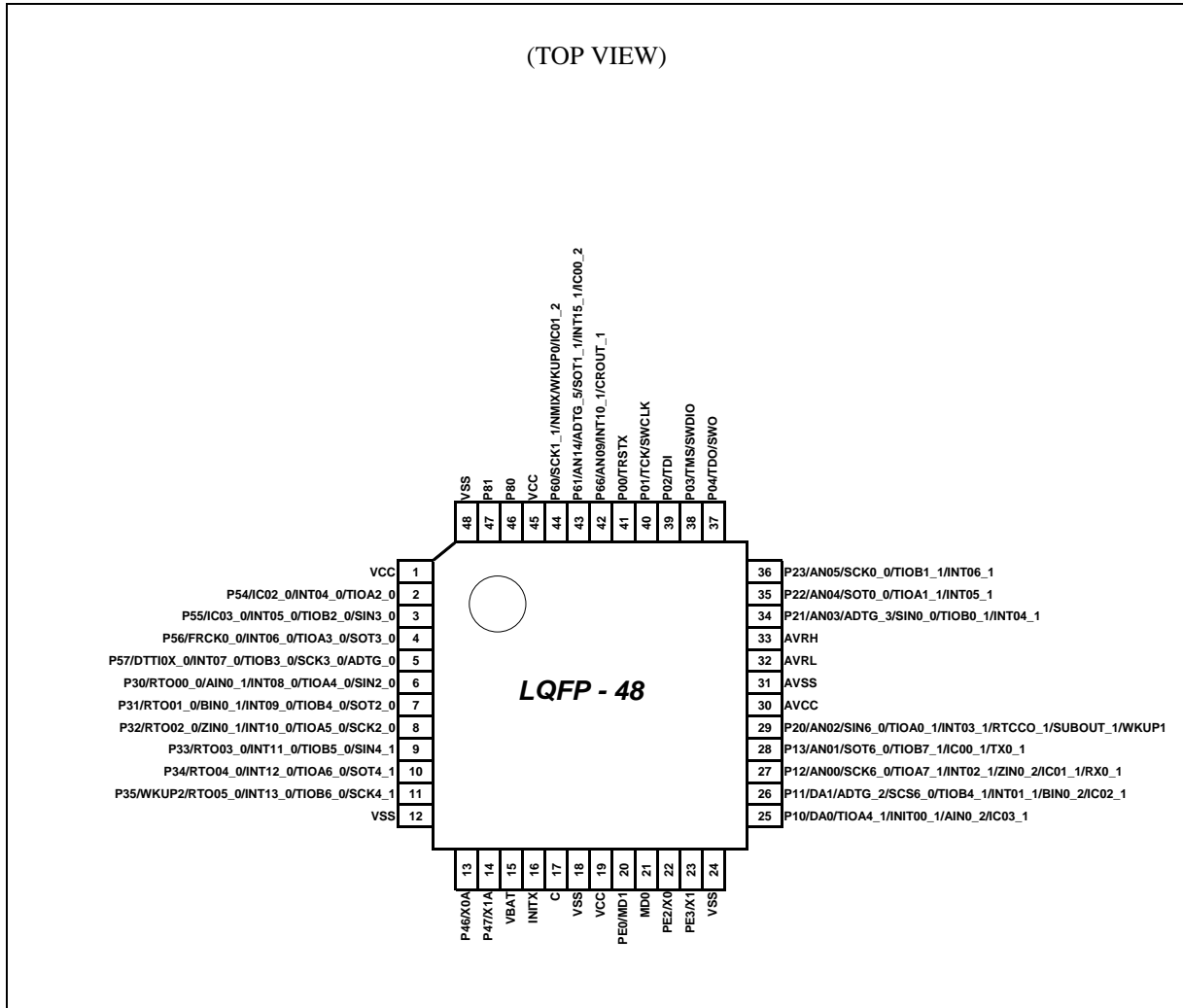
• LCC-64P-M24



**<Note>**

The number after the underscore ("\_") in pin names such as XXX\_1 and XXX\_2 indicates the relocated port number. For these pins, there are multiple pins that provide the same function for the same channel. Use the extended port function register (EPFR) to select the pin.

- FPT-48P-M49

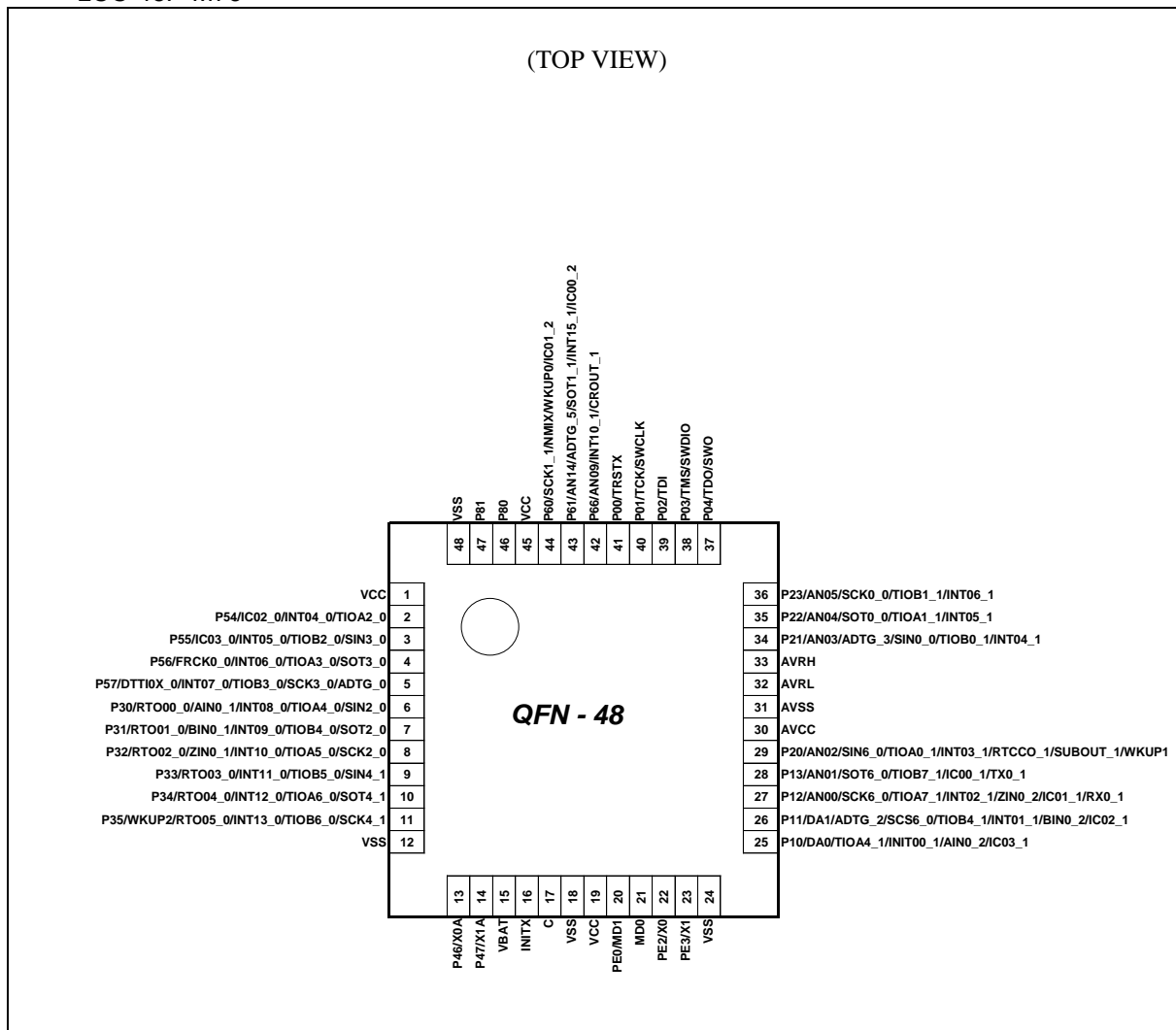


**<Note>**

The number after the underscore ("\_") in pin names such as XXX\_1 and XXX\_2 indicates the relocated port number. For these pins, there are multiple pins that provide the same function for the same channel. Use the extended port function register (EPFR) to select the pin.

# MB9B460L Series

• LCC-48P-M73



## <Note>

The number after the underscore ("\_") in pin names such as XXX\_1 and XXX\_2 indicates the relocated port number. For these pins, there are multiple pins that provide the same function for the same channel. Use the extended port function register (EPFR) to select the pin.



## ■ PIN DESCRIPTION

- List of pin numbers

The number after the underscore ("\_") in pin names such as XXX\_1 and XXX\_2 indicates the relocated port number. For these pins, there are multiple pins that provide the same function for the same channel. Use the extended port function register (EPFR) to select the pin.

Pin No		Pin Name	I/O circuit type	Pin state type
LQFP64 QFN64	LQFP48 QFN48			
1	1	VCC	-	-
2	-	P50	E	K
		AIN0_0		
		INT00_0		
		TIOA0_0		
		CTS4_0		
3	-	P51	E	K
		BIN0_0		
		INT01_0		
		TIOB0_0		
		RTS4_0		
4	-	P52	I	K
		IC00_0		
		ZIN0_0		
		INT02_0		
		TIOA1_0		
		SIN4_0		
5	-	P53	N	K
		IC01_0		
		INT03_0		
		TIOB1_0		
		SOT4_0 (SDA4_0)		
6	2	P54	N	K
	-	IC02_0		
		INT04_0		
		TIOA2_0		
		SCK4_0 (SCL4_0)		
7	3	P55	I	K
		IC03_0		
		INT05_0		
		TIOB2_0		
		SIN3_0		
8	4	P56	N	K
		FRCK0_0		
		INT06_0		
		TIOA3_0		
		SOT3_0 (SDA3_0)		

# MB9B460L Series

Pin No		Pin Name	I/O circuit type	Pin state type
LQFP64 QFN64	LQFP48 QFN48			
9	5	P57	N	K
		DTTIOX_0		
		INT07_0		
		TIOB3_0		
		SCK3_0 (SCL3_0)		
		ADTG_0		
10	6	P30	G	K
		RTO00_0		
		AIN0_1		
		INT08_0		
		TIOA4_0		
		SIN2_0		
11	7	P31	G	K
		RTO01_0		
		BIN0_1		
		INT09_0		
		TIOB4_0		
		SOT2_0 (SDA2_0)		
12	8	P32	G	K
		RTO02_0		
		ZIN0_1		
		INT10_0		
		TIOA5_0		
		SCK2_0 (SCL2_0)		
13	9	P33	G	K
		RTO03_0		
		INT11_0		
		TIOB5_0		
		SIN4_1		
14	10	P34	G	K
		RTO04_0		
		INT12_0		
		TIOA6_0		
		SOT4_1 (SDA4_1)		
15	11	P35	G	Q
		WKUP2		
		RTO05_0		
		INT13_0		
		TIOB6_0		
		SCK4_1 (SCL4_1)		

# MB9B460L Series

Pin No		Pin Name	I/O circuit type	Pin state type
LQFP64 QFN64	LQFP48 QFN48			
16	12	VSS	-	-
17	13	P46	P	S
		X0A		
18	14	P47	Q	T
		X1A		
19	15	VBAT		
20	-	P48	O	U
		VREGCTL		
21	-	P49	O	U
		VWAKEUP		
22	16	INITX	B	C
23	17	C	-	-
24	18	VSS	-	-
25	19	VCC	-	-
26	-	P40	E	K
		TIOA7_0		
		INT14_0		
27	-	P41	E	Q
		TIOB7_0		
		INT15_0		
		ADTG_1		
		WKUP3		
28	20	PE0	C	E
		MD1		
29	21	MD0	J	D
30	22	PE2	A	A
		X0		
31	23	PE3	A	B
		X1		
32	24	VSS	-	-
33	-	VCC	-	-
34	25	P10	R	J
		DA0		
		TIOA4_1		
		INT00_1		
		AIN0_2		
		IC03_1		
-	RTO10_0			
35	26	P11	R	J
		DA1		
		ADTG_2		
		SCS6_0		
		TIOB4_1		
		INT01_1		
		BIN0_2		
		IC02_1		
-	RTO11_0			

# MB9B460L Series

Pin No		Pin Name	I/O circuit type	Pin state type
LQFP64 QFN64	LQFP48 QFN48			
36	27	P12	M	M
		AN00		
		SCK6_0		
		TIOA7_1		
		INT02_1		
		ZIN0_2		
		IC01_1		
	RX0_1			
-	RTO12_0			
37	28	P13	M	L
		AN01		
		SOT6_0 (SDA6_0)		
		TIOB7_1		
		IC00_1		
	TX0_1			
-	RTO13_0			
38	29	P20	F	O
		AN02		
		SIN6_0		
		TIOA0_1		
		INT03_1		
		RTCCO_1		
	SUBOUT_1			
-	WKUP1			
-	RTO14_0			
39	30	AVCC	-	-
40	31	AVSS	-	-
41	32	AVRL	-	-
42	33	AVRH	-	-
43	34	P21	F	M
		AN03		
		ADTG_3		
		SIN0_0		
		TIOB0_1		
	INT04_1			
-	RTO15_0			
44	35	P22	F	M
		AN04		
		SOT0_0 (SDA0_0)		
		TIOA1_1		
	INT05_1			
-	FRCK1_0			
45	36	P23	F	M
		AN05		
		SCK0_0 (SCL0_0)		
		TIOB1_1		
	INT06_1			
-	DTTI1X_0			

# MB9B460L Series

Pin No		Pin Name	I/O circuit type	Pin state type
LQFP64 QFN64	LQFP48 QFN48			
46	-	P24	F	M
		AN06		
		SCK1_0 (SCL1_0)		
		INT07_1		
		IC10_0		
47	-	P25	F	M
		AN07		
		SOT1_0 (SDA1_0)		
		INT08_1		
		IC11_0		
		CROUT_0		
48	-	P26	F	M
		AN08		
		SIN1_0		
		INT09_1		
		IC12_0		
49	37	P04	E	G
		TDO		
		SWO		
50	38	P03	E	G
		TMS		
		SWDIO		
51	39	P02	E	G
		TDI		
52	40	P01	E	G
		TCK		
		SWCLK		
53	41	P00	E	G
		TRSTX		
54	42	P66	F	M
		AN09		
		INT10_1		
	CROUT_1			
	-	IC13_0		
55	-	P65	L	M
		AN10		
		SCK0_1 (SCL0_1)		
		TIOA2_1		
		INT11_1		
		RTCCO_0		
		SUBOUT_0		
56	-	P64	L	M
		AN11		
		SOT0_1 (SDA0_1)		
		TIOB2_1		
		INT12_1		

# MB9B460L Series

Pin No		Pin Name	I/O circuit type	Pin state type
LQFP64 QFN64	LQFP48 QFN48			
57	-	P63	F	M
		AN12		
		SIN0_1		
		TX0_0		
		TIOA3_1		
		INT13_1		
		ADTG_4		
58	-	P62	F	M
		AN13		
		SIN1_1		
		RX0_0		
		TIOB3_1		
		INT14_1		
59	43	P61	F	M
		AN14		
		ADTG_5		
		SOT1_1 (SDA1_1)		
		INT15_1		
		IC00_2		
60	44	P60	I	F
		SCK1_1 (SCK1_1)		
		NMIX		
		WKUP0		
		IC01_2		
61	45	VCC	-	-
62	46	P80	H	R
63	47	P81	H	R
64	48	VSS	-	-

- List of pin functions

The number after the underscore ("\_") in pin names such as XXX\_1 and XXX\_2 indicates the relocated port number. For these pins, there are multiple pins that provide the same function for the same channel. Use the extended port function register (EPFR) to select the pin.

Pin function	Pin name	Function description	Pin No	
			LQFP64 QFN64	LQFP48 QFN48
ADC	ADTG_0	A/D converter external trigger input pin	9	5
	ADTG_1		27	-
	ADTG_2		35	26
	ADTG_3		43	34
	ADTG_4		57	-
	ADTG_5		59	43
	AN00	A/D converter analog input pin. ANxx describes ADC ch.xx.	36	27
	AN01		37	28
	AN02		38	29
	AN03		43	34
	AN04		44	35
	AN05		45	36
	AN06		46	-
	AN07		47	-
	AN08		48	-
	AN09		54	42
	AN10		55	-
	AN11		56	-
	AN12		57	-
	AN13		58	-
AN14	59	43		
Base Timer 0	TIOA0_0	Base timer ch.0 TIOA pin	2	-
	TIOA0_1		38	29
	TIOB0_0	Base timer ch.0 TIOB pin	3	-
	TIOB0_1		43	34
Base Timer 1	TIOA1_0	Base timer ch.1 TIOA pin	4	-
	TIOA1_1		44	35
	TIOB1_0	Base timer ch.1 TIOB pin	5	-
	TIOB1_1		45	36
Base Timer 2	TIOA2_0	Base timer ch.2 TIOA pin	6	2
	TIOA2_1		55	-
	TIOB2_0	Base timer ch.2 TIOB pin	7	3
	TIOB2_1		56	-
Base Timer 3	TIOA3_0	Base timer ch.3 TIOA pin	8	4
	TIOA3_1		57	-
	TIOB3_0	Base timer ch.3 TIOB pin	9	5
	TIOB3_1		58	-
Base Timer 4	TIOA4_0	Base timer ch.4 TIOA pin	10	6
	TIOA4_1		34	25
	TIOB4_0	Base timer ch.4 TIOB pin	11	7
	TIOB4_1		35	26
Base Timer 5	TIOA5_0	Base timer ch.5 TIOA pin	12	8
	TIOB5_0	Base timer ch.5 TIOB pin	13	9

# MB9B460L Series

Pin function	Pin name	Function description	Pin No	
			LQFP64 QFN64	LQFP48 QFN48
Base Timer 6	TIOA6_0	Base timer ch.6 TIOA pin	14	10
	TIOB6_0	Base timer ch.6 TIOB pin	15	11
Base Timer 7	TIOA7_0	Base timer ch.7 TIOA pin	26	-
	TIOA7_1		36	27
	TIOB7_0	Base timer ch.7 TIOB pin	27	-
	TIOB7_1		37	28
CAN 0	TX0_0	CAN interface ch.0 TX output pin	57	-
	TX0_1		37	28
	RX0_0	CAN interface ch.0 RX output pin	58	-
	RX0_1		36	27
Debugger	SWCLK	Serial wire debug interface clock input pin	52	40
	SWDIO	Serial wire debug interface data input / output pin	50	38
	SWO	Serial wire viewer output pin	49	37
	TCK	J-TAG test clock input pin	52	40
	TDI	J-TAG test data input pin	51	39
	TDO	J-TAG debug data output pin	49	37
	TMS	J-TAG test mode state input/output pin	50	38
	TRSTX	J-TAG test reset Input pin	53	41
External Interrupt	INT00_0	External interrupt request 00 input pin	2	-
	INT00_1		34	25
	INT01_0	External interrupt request 01 input pin	3	-
	INT01_1		35	26
	INT02_0	External interrupt request 02 input pin	4	-
	INT02_1		36	27
	INT03_0	External interrupt request 03 input pin	5	-
	INT03_1		38	29
	INT04_0	External interrupt request 04 input pin	6	2
	INT04_1		43	34
	INT05_0	External interrupt request 05 input pin	7	3
	INT05_1		44	35



# MB9B460L Series

Pin function	Pin name	Function description	Pin No	
			LQFP64 QFN64	LQFP48 QFN48
External Interrupt	INT06_0	External interrupt request 06 input pin	8	4
	INT06_1		45	36
	INT07_0	External interrupt request 07 input pin	9	5
	INT07_1		46	-
	INT08_0	External interrupt request 08 input pin	10	6
	INT08_1		47	-
	INT09_0	External interrupt request 09 input pin	11	7
	INT09_1		48	-
	INT10_0	External interrupt request 10 input pin	12	8
	INT10_1		54	42
	INT11_0	External interrupt request 11 input pin	13	9
	INT11_1		55	-
	INT12_0	External interrupt request 12 input pin	14	10
	INT12_1		56	-
	INT13_0	External interrupt request 13 input pin	15	11
	INT13_1		57	-
	INT14_0	External interrupt request 14 input pin	26	-
	INT14_1		58	-
	INT15_0	External interrupt request 15 input pin	27	-
INT15_1	59		43	
	NMIX	Non-Maskable Interrupt input pin	60	44
GPIO	P00	General-purpose I/O port 0	53	41
	P01		52	40
	P02		51	39
	P03		50	38
	P04		49	37
	P10	General-purpose I/O port 1	34	25
	P11		35	26
	P12		36	27
	P13		37	28
	P20	General-purpose I/O port 2	38	29
	P21		43	34
	P22		44	35
	P23		45	36
	P24		46	-
	P25		47	-
	P26	48	-	
	P30	General-purpose I/O port 3	10	6
	P31		11	7
	P32		12	8
	P33		13	9
P34	14		10	
P35	15		11	

# MB9B460L Series

Pin function	Pin name	Function description	Pin No	
			LQFP64 QFN64	LQFP48 QFN48
GPIO	P40	General-purpose I/O port 4	26	-
	P41		27	-
	P46		17	13
	P47		18	14
	P48		20	-
	P49		21	-
	P50	General-purpose I/O port 5	2	-
	P51		3	-
	P52		4	-
	P53		5	-
	P54		6	2
	P55		7	3
	P56		8	4
	P57	9	5	
	P60	General-purpose I/O port 6	60	44
	P61		59	43
	P62		58	-
	P63		57	-
	P64		56	-
	P65		55	-
	P66		54	42
	P80	General-purpose I/O port 8	62	46
	P81		63	47
	PE0	General-purpose I/O port E	28	20
	PE2		30	22
	PE3		31	23

# MB9B460L Series

Pin function	Pin name	Function description	Pin No	
			LQFP64 QFN64	LQFP48 QFN48
Multi-function Serial 0	SIN0_0	Multi-function serial interface ch.0 input pin	43	34
	SIN0_1		57	-
	SOT0_0 (SDA0_0)	Multi-function serial interface ch.0 output pin. This pin operates as SOT0 when it is used in a UART/CSIO/LIN (operation modes 0 to 3) and as SDA0 when it is used in an I <sup>2</sup> C (operation mode 4).	44	35
	SOT0_1 (SDA0_1)		56	-
	SCK0_0 (SCL0_0)	Multi-function serial interface ch.0 clock I/O pin. This pin operates as SCK0 when it is used in a CSIO (operation modes 2) and as SCL0 when it is used in an I <sup>2</sup> C (operation mode 4).	45	36
	SCK0_1 (SCL0_1)		55	-
Multi-function Serial 1	SIN1_0	Multi-function serial interface ch.1 input pin	48	-
	SIN1_1		58	-
	SOT1_0 (SDA1_0)	Multi-function serial interface ch.1 output pin. This pin operates as SOT1 when it is used in a UART/CSIO/LIN (operation modes 0 to 3) and as SDA1 when it is used in an I <sup>2</sup> C (operation mode 4).	47	-
	SOT1_1 (SDA1_1)		59	43
	SCK1_0 (SCL1_0)	Multi-function serial interface ch.1 clock I/O pin. This pin operates as SCK1 when it is used in a CSIO (operation modes 2) and as SCL1 when it is used in an I <sup>2</sup> C (operation mode 4).	46	-
	SCK1_1 (SCL1_1)		60	44
Multi-function Serial 2	SIN2_0	Multi-function serial interface ch.2 input pin	10	6
	SOT2_0 (SDA2_0)	Multi-function serial interface ch.2 output pin. This pin operates as SOT2 when it is used in a UART/CSIO/LIN (operation modes 0 to 3) and as SDA2 when it is used in an I <sup>2</sup> C (operation mode 4).	11	7
	SCK2_0 (SCL2_0)	Multi-function serial interface ch.2 clock I/O pin. This pin operates as SCK2 when it is used in a CSIO (operation modes 2) and as SCL2 when it is used in an I <sup>2</sup> C (operation mode 4).	12	8

# MB9B460L Series

Pin function	Pin name	Function description	Pin No	
			LQFP64 QFN64	LQFP48 QFN48
Multi-function Serial 3	SIN3_0	Multi-function serial interface ch.3 input pin	7	3
	SOT3_0 (SDA3_0)	Multi-function serial interface ch.3 output pin. This pin operates as SOT3 when it is used in a UART/CSIO/LIN (operation modes 0 to 3) and as SDA3 when it is used in an I <sup>2</sup> C (operation mode 4).	8	4
	SCK3_0 (SCL3_0)	Multi-function serial interface ch.3 clock I/O pin. This pin operates as SCK3 when it is used in a CSIO (operation modes 2) and as SCL3 when it is used in an I <sup>2</sup> C (operation mode 4).	9	5
Multi-function Serial 4	SIN4_0	Multi-function serial interface ch.4 input pin	4	-
	SIN4_1		13	9
	SOT4_0 (SDA4_0)	Multi-function serial interface ch.4 output pin. This pin operates as SOT4 when it is used in a UART/CSIO/LIN (operation modes 0 to 3) and as SDA4 when it is used in an I <sup>2</sup> C (operation mode 4).	5	-
	SOT4_1 (SDA4_1)		14	10
	SCK4_0 (SCL4_0)	Multi-function serial interface ch.4 clock I/O pin. This pin operates as SCK4 when it is used in a CSIO (operation modes 2) and as SCL4 when it is used in an I <sup>2</sup> C (operation mode 4).	6	-
	SCK4_1 (SCL4_1)		15	11
	CTS4_0	Multi-function serial interface ch.4 CTS input pin	2	-
RTS4_0	Multi-function serial interface ch.4 RTS output pin	3	-	
Multi-function Serial 6	SIN6_0	Multi-function serial interface ch.6 input pin	38	29
	SOT6_0 (SDA6_0)	This pin operates as SOT6 when it is used in a UART/CSIO/LIN (operation modes 0 to 3) and as SDA6 when it is used in an I <sup>2</sup> C (operation mode 4).	37	28
	SCK6_0 (SCL6_0)	Multi-function serial interface ch.6 clock I/O pin. This pin operates as SCK6 when it is used in a CSIO (operation modes 2) and as SCL6 when it is used in an I <sup>2</sup> C (operation mode 4).	36	27
	SCS6_0	Multi-function serial interface ch.6 serial chip select pin	35	26

# MB9B460L Series

Pin function	Pin name	Function description	Pin No	
			LQFP64 QFN64	LQFP48 QFN48
Multi-function Timer 0	DTTIOX_0	Input signal controlling wave form generator outputs RTO00 to RTO05 of Multi-function timer 0.	9	5
	FRCK0_0	16-bit free-run timer ch.0 external clock input pin	8	4
	IC00_0	16-bit input capture ch.0 input pin of Multi-function timer 0. ICxx describes channel number.	4	-
	IC00_1		37	28
	IC00_2		59	43
	IC01_0		5	-
	IC01_1		36	27
	IC01_2		60	44
	IC02_0		6	2
	IC02_1		35	26
	IC03_0		7	3
	IC03_1		34	25
	RTO00_0 (PPG00_0)		Wave form generator output pin of Multi-function timer 0. This pin operates as PPG00 when it is used in PPG0 output modes.	10
	RTO01_0 (PPG00_0)	Wave form generator output pin of Multi-function timer 0. This pin operates as PPG00 when it is used in PPG0 output modes.	11	7
	RTO02_0 (PPG02_0)	Wave form generator output pin of Multi-function timer 0. This pin operates as PPG02 when it is used in PPG0 output modes.	12	8
	RTO03_0 (PPG02_0)	Wave form generator output pin of Multi-function timer 0. This pin operates as PPG02 when it is used in PPG0 output modes.	13	9
	RTO04_0 (PPG04_0)	Wave form generator output pin of Multi-function timer 0. This pin operates as PPG04 when it is used in PPG0 output modes.	14	10
RTO05_0 (PPG04_0)	Wave form generator output pin of Multi-function timer 0. This pin operates as PPG04 when it is used in PPG0 output modes.	15	11	

# MB9B460L Series

Pin function	Pin name	Function description	Pin No	
			LQFP64 QFN64	LQFP48 QFN48
Multi-function Timer 1	DTT1X_0	Input signal controlling wave form generator outputs RTO10 to RTO15 of Multi-function timer 1.	45	-
	FRCK1_0	16-bit free-run timer ch.1 external clock input pin	44	-
	IC10_0	16-bit input capture ch.1 input pin of Multi-function timer 1. ICxx describes channel number.	46	-
	IC11_0		47	-
	IC12_0		48	-
	IC13_0		54	-
	RTO10_0 (PPG10_0)	Wave form generator output pin of Multi-function timer 1. This pin operates as PPG10 when it is used in PPG1 output modes.	34	-
	RTO11_0 (PPG10_0)	Wave form generator output pin of Multi-function timer 1. This pin operates as PPG10 when it is used in PPG1 output modes.	35	-
	RTO12_0 (PPG12_0)	Wave form generator output pin of Multi-function timer 1. This pin operates as PPG12 when it is used in PPG1 output modes.	36	-
	RTO13_0 (PPG12_0)	Wave form generator output pin of Multi-function timer 1. This pin operates as PPG12 when it is used in PPG1 output modes.	37	-
RTO14_0 (PPG14_0)	Wave form generator output pin of Multi-function timer 1. This pin operates as PPG14 when it is used in PPG1 output modes.	38	-	
RTO15_0 (PPG14_0)	Wave form generator output pin of Multi-function timer 1. This pin operates as PPG14 when it is used in PPG1 output modes.	43	-	
Quadrature Position/ Revolution Counter 0	AIN0_0	QPRC ch.0 AIN input pin	2	-
	AIN0_1		10	6
	AIN0_2		34	25
	BIN0_0	QPRC ch.0 BIN input pin	3	-
	BIN0_1		11	7
	BIN0_2		35	26
	ZIN0_0	QPRC ch.0 ZIN input pin	4	-
	ZIN0_1		12	8
ZIN0_2	36		36	

# MB9B460L Series

Pin function	Pin name	Function description	Pin No	
			LQFP64 QFN64	LQFP48 QFN48
Real-time clock	RTCCO_0	0.5 seconds pulse output pin of Real-time clock	55	-
	RTCCO_1	Sub clock output pin	38	29
	SUBOUT_0	Sub clock output pin	55	-
	SUBOUT_1		38	29
Low-Power Consumption Mode	WKUP0	Deep standby mode return signal input pin 0	60	44
	WKUP1	Deep standby mode return signal input pin 1	38	29
	WKUP2	Deep standby mode return signal input pin 2	15	11
	WKUP3	Deep standby mode return signal input pin 3	27	-
DAC	DA0	D/A converter ch.0 analog output pin	34	25
	DA1	D/A converter ch.1 analog output pin	35	26
VBAT	VREGCTL	On-board regulator control pin	20	-
	VWAKEUP	The return signal input pin from a hibernation state	21	-
RESET	INITX	External Reset Input pin. A reset is valid when INITX="L".	22	16
MODE	MD1	Mode 1 pin. During serial programming to Flash memory, MD1="L" must be input.	28	20
	MD0	Mode 0 pin. During normal operation, MD0="L" must be input. During serial programming to Flash memory, MD0="H" must be input.	29	21
POWER	VCC	Power supply Pin	1	1
			25	19
			33	-
			61	45
GND	VSS	GND Pin	16	12
			24	18
			32	24
			64	48
CLOCK	X0	Main clock (oscillation) input pin	30	22
	X1	Main clock (oscillation) I/O pin	31	23
	X0A	Sub clock (oscillation) input pin	17	13
	X1A	Sub clock (oscillation) I/O pin	18	14
	CROUT_0	Built-in high-speed CR-osc clock output port	47	-
	CROUT_1		54	42
Analog POWER	AVCC	A/D converter and D/A converter analog power supply pin	39	30
	AVRH	A/D converter analog reference voltage input pin	42	33
VBAT POWER	VBAT	VBAT power supply pin. Backup power supply (battery etc.) and system power supply.	19	15
Analog GND	AVSS	A/D converter and D/A converter GND pin	40	31
	AVRL	A/D converter analog reference voltage input pin	41	32
C pin	C	Power supply stabilization capacity pin	23	17

# MB9B460L Series

## ■ I/O CIRCUIT TYPE

Type	Circuit	Remarks
A	<p>The diagram for Type A shows two external inputs, X1 and X0. X1 is connected to a pull-up resistor R and a P-channel MOSFET. X0 is connected to a pull-up resistor R and a P-channel MOSFET. The circuit includes digital outputs (P-ch and N-ch), digital inputs, a clock input, and standby mode control signals. Logic gates (AND, OR, NOT) are used to process the signals.</p>	<p>It is possible to select the main oscillation / GPIO function</p> <p>When the main oscillation is selected.</p> <ul style="list-style-type: none"> <li>• Oscillation feedback resistor : Approximately 1MΩ</li> <li>• With Standby mode control</li> </ul> <p>When the GPIO is selected.</p> <ul style="list-style-type: none"> <li>• CMOS level output.</li> <li>• CMOS level hysteresis input</li> <li>• With pull-up resistor control</li> <li>• With standby mode control</li> <li>• Pull-up resistor : Approximately 50kΩ</li> <li>• <math>I_{OH} = -4mA, I_{OL} = 4mA</math></li> </ul>
B	<p>The diagram for Type B shows an external input connected to a pull-up resistor, followed by a pull-up resistor, a hysteresis input, and a digital input.</p>	<ul style="list-style-type: none"> <li>• CMOS level hysteresis input</li> <li>• Pull-up resistor : Approximately 50kΩ</li> </ul>

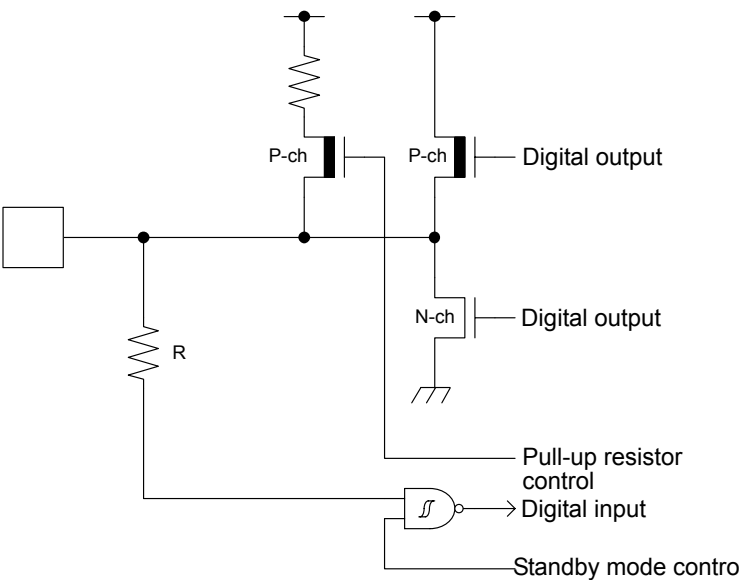
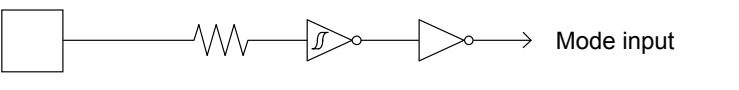
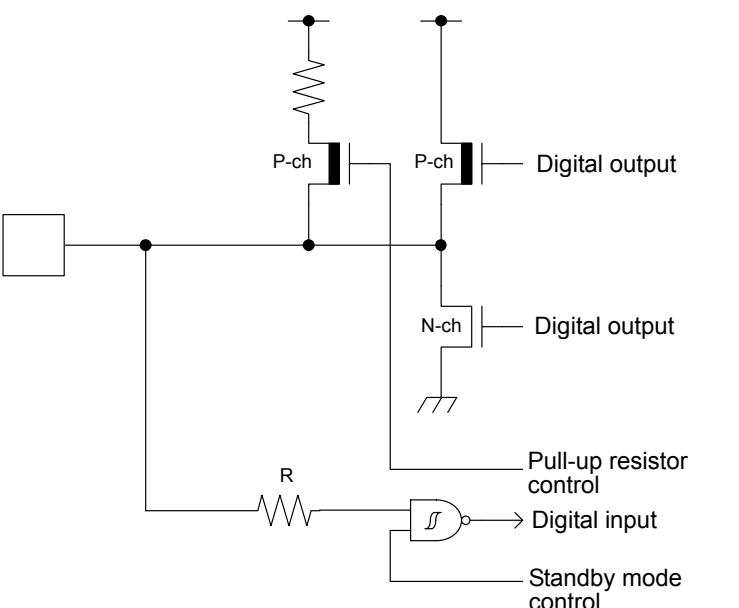


Type	Circuit	Remarks
C		<ul style="list-style-type: none"> <li>• Open drain output</li> <li>• CMOS level hysteresis input</li> </ul>
E		<ul style="list-style-type: none"> <li>• CMOS level output</li> <li>• CMOS level hysteresis input</li> <li>• With pull-up resistor control</li> <li>• With standby mode control</li> <li>• Pull-up resistor : Approximately 50kΩ</li> <li>• <math>I_{OH} = -4\text{mA}</math>, <math>I_{OL} = 4\text{mA}</math></li> </ul>
F		<ul style="list-style-type: none"> <li>• CMOS level output</li> <li>• CMOS level hysteresis input</li> <li>• With input control</li> <li>• Analog input</li> <li>• With pull-up resistor control</li> <li>• With standby mode control</li> <li>• Pull-up resistor : Approximately 50kΩ</li> <li>• <math>I_{OH} = -4\text{mA}</math>, <math>I_{OL} = 4\text{mA}</math></li> <li>• When this pin is used as an I<sup>2</sup>C pin, the digital output P-ch transistor is always off</li> </ul>

# MB9B460L Series

Type	Circuit	Remarks
G	<p>The circuit diagram for Type G shows a CMOS output stage. A pull-up resistor R is connected to the output node. The output node is connected to the gates of a P-channel MOSFET (P-ch) and an N-channel MOSFET (N-ch). The P-ch MOSFET's source is connected to the output node, and its drain is connected to a supply rail. The N-ch MOSFET's source is connected to ground, and its drain is connected to the output node. The gates of both MOSFETs are connected to the output node. A digital input signal and a standby mode control signal are connected to an AND gate. The output of the AND gate is connected to the gates of both MOSFETs. The output of the P-ch MOSFET is labeled 'Digital output'.</p>	<ul style="list-style-type: none"> <li>• CMOS level output</li> <li>• CMOS level hysteresis input</li> <li>• With pull-up resistor control</li> <li>• With standby mode control</li> <li>• Pull-up resistor : Approximately 50kΩ</li> <li>• <math>I_{OH} = -12\text{mA}</math>, <math>I_{OL} = 12\text{mA}</math></li> <li>• When this pin is used as an I<sup>2</sup>C pin, the digital output P-ch transistor is always off</li> </ul>
H	<p>The circuit diagram for Type H shows a CMOS output stage. A pull-up resistor R is connected to the output node. The output node is connected to the gates of a P-channel MOSFET (P-ch) and an N-channel MOSFET (N-ch). The P-ch MOSFET's source is connected to the output node, and its drain is connected to a supply rail. The N-ch MOSFET's source is connected to ground, and its drain is connected to the output node. The gates of both MOSFETs are connected to the output node. A digital input signal and a standby mode control signal are connected to an AND gate. The output of the AND gate is connected to the gates of both MOSFETs. The output of the P-ch MOSFET is labeled 'Digital output'.</p>	<ul style="list-style-type: none"> <li>• CMOS level output</li> <li>• CMOS level hysteresis input</li> <li>• With standby mode control</li> </ul>

# MB9B460L Series

Type	Circuit	Remarks
I		<ul style="list-style-type: none"> <li>• CMOS level output</li> <li>• CMOS level hysteresis input</li> <li>• With pull-up resistor control</li> <li>• 5V tolerant</li> <li>• With standby mode control</li> <li>• <math>I_{OH} = -4\text{mA}</math>, <math>I_{OL} = 4\text{mA}</math></li> <li>• Available to control of PZR registers.</li> <li>• When this pin is used as an I<sup>2</sup>C pin, the digital output P-ch transistor is always off</li> </ul>
J		<p>CMOS level hysteresis input</p>
L		<ul style="list-style-type: none"> <li>• CMOS level output</li> <li>• CMOS level hysteresis input</li> <li>• With pull-up resistor control</li> <li>• With standby mode control</li> <li>• Pull-up resistor : Approximately 50kΩ</li> <li>• <math>I_{OH} = -8\text{mA}</math>, <math>I_{OL} = 8\text{mA}</math></li> <li>• When this pin is used as an I<sup>2</sup>C pin, the digital output P-ch transistor is always off</li> </ul>

# MB9B460L Series

Type	Circuit	Remarks
M		<ul style="list-style-type: none"> <li>• CMOS level output</li> <li>• CMOS level hysteresis input</li> <li>• With input control</li> <li>• Analog input</li> <li>• With pull-up resistor control</li> <li>• With standby mode control</li> <li>• Pull-up resistor : Approximately 50kΩ</li> <li>• <math>I_{OH} = -8\text{mA}</math>, <math>I_{OL} = 8\text{mA}</math></li> <li>• When this pin is used as an I<sup>2</sup>C pin, the digital output P-ch transistor is always off</li> </ul>
N		<ul style="list-style-type: none"> <li>• CMOS level output</li> <li>• CMOS level hysteresis input</li> <li>• With pull-up resistor control</li> <li>• With standby mode control</li> <li>• Pull-up resistor : Approximately 50kΩ</li> <li>• <math>I_{OH} = -4\text{mA}</math>, <math>I_{OL} = 4\text{mA}</math> (GPIO)</li> <li>• <math>I_{OL} = 20\text{mA}</math></li> <li>• (Fast Mode Plus)</li> <li>• When this pin is used as an I<sup>2</sup>C pin, the digital output P-ch transistor is always off</li> </ul>

# MB9B460L Series

Type	Circuit	Remarks
O	<p style="text-align: right;">             Pull-up resistor control              Digital output              Digital output              Digital input              Standby mode control         </p>	<ul style="list-style-type: none"> <li>• CMOS level output</li> <li>• CMOS level hysteresis input</li> <li>• 5V tolerant</li> <li>• With pull-up resistor control</li> <li>• With standby mode control</li> <li>• Pull-up resistor : Approximately 50kΩ</li> <li>• <math>I_{OH} = -4mA</math>, <math>I_{OL} = 4mA</math></li> <li>• For I/O setting, refer to VBAT Domain in the PERIPHERAL MANUAL</li> </ul>
P	<p style="text-align: right;">             Pull-up resistor control              Digital output              Digital output              Digital input              Standby mode control              OSC         </p>	<ul style="list-style-type: none"> <li>• CMOS level output</li> <li>• CMOS level hysteresis input</li> <li>• With pull-up resistor control</li> <li>• With standby mode control</li> <li>• Pull-up resistor : Approximately 50kΩ</li> <li>• <math>I_{OH} = -4mA</math>, <math>I_{OL} = 4mA</math></li> <li>• For I/O setting, refer to VBAT Domain in the PERIPHERAL MANUAL</li> </ul>

# MB9B460L Series

Type	Circuit	Remarks
Q	<p>The diagram for Type Q shows an oscillator circuit. It includes a crystal X1A connected to a P-channel MOSFET (P-ch) which has a pull-up resistor. The gate of this P-ch MOSFET is connected to the gate of another P-channel MOSFET (P-ch) and the gate of an N-channel MOSFET (N-ch). The drain of the second P-ch MOSFET is connected to the drain of the N-ch MOSFET, which is connected to ground. The gates of these two MOSFETs are also connected to a digital input through a resistor R. The gates are also connected to a standby mode control signal through an AND gate. The gates are also connected to an oscillator (OSC) signal through an AND gate. The gates are also connected to a clock input through an AND gate. The gates are also connected to a standby mode control signal through a resistor RX and a switch.</p>	<p>It is possible to select the sub oscillation / GPIO function</p> <p>When the sub oscillation is selected.</p> <ul style="list-style-type: none"> <li>• Oscillation feedback resistor : Approximately 10MΩ</li> <li>• With Standby mode control</li> </ul> <p>When the GPIO is selected.</p> <ul style="list-style-type: none"> <li>• CMOS level output.</li> <li>• CMOS level hysteresis input</li> <li>• With pull-up resistor control</li> <li>• With standby mode control</li> <li>• Pull-up resistor : Approximately 50kΩ</li> <li>• <math>I_{OH} = -4mA, I_{OL} = 4mA</math></li> <li>• For I/O setting, refer to VBAT Domain in the PERIPHERAL MANUAL</li> </ul>
R	<p>The diagram for Type R shows a digital/analog output circuit. It includes a pull-up resistor connected to a P-channel MOSFET (P-ch). The gate of this P-ch MOSFET is connected to the gate of another P-channel MOSFET (P-ch) and the gate of an N-channel MOSFET (N-ch). The drain of the second P-ch MOSFET is connected to the drain of the N-ch MOSFET, which is connected to ground. The gates of these two MOSFETs are connected to a digital input through a resistor R. The gates are also connected to a standby mode control signal through an AND gate. The gates are also connected to an analog output signal through an AND gate. The gates are also connected to a standby mode control signal through a resistor RX and a switch.</p>	<ul style="list-style-type: none"> <li>• CMOS level output</li> <li>• CMOS level hysteresis input</li> <li>• With input control</li> <li>• Analog output</li> <li>• With pull-up resistor control</li> <li>• With standby mode control</li> <li>• Pull-up resistor : Approximately 50kΩ</li> <li>• <math>I_{OH} = -12mA, I_{OL} = 12mA</math> (4.5V~5.5V)</li> <li>• <math>I_{OH} = -8mA, I_{OL} = 8mA</math> (2.7V~4.5V)</li> </ul>

## ■ HANDLING PRECAUTIONS

Any semiconductor devices have inherently a certain rate of failure. The possibility of failure is greatly affected by the conditions in which they are used (circuit conditions, environmental conditions, etc.). This page describes precautions that must be observed to minimize the chance of failure and to obtain higher reliability from your FUJITSU SEMICONDUCTOR semiconductor devices.

### 1. Precautions for Product Design

This section describes precautions when designing electronic equipment using semiconductor devices.

- **Absolute Maximum Ratings**

Semiconductor devices can be permanently damaged by application of stress (voltage, current, temperature, etc.) in excess of certain established limits, called absolute maximum ratings. Do not exceed these ratings.

- **Recommended Operating Conditions**

Recommended operating conditions are normal operating ranges for the semiconductor device. All the device's electrical characteristics are warranted when operated within these ranges.

Always use semiconductor devices within the recommended operating conditions. Operation outside these ranges may adversely affect reliability and could result in device failure.

No warranty is made with respect to uses, operating conditions, or combinations not represented on the data sheet. Users considering application outside the listed conditions are advised to contact their sales representative beforehand.

- **Processing and Protection of Pins**

These precautions must be followed when handling the pins which connect semiconductor devices to power supply and input/output functions.

- (1) **Preventing Over-Voltage and Over-Current Conditions**

Exposure to voltage or current levels in excess of maximum ratings at any pin is likely to cause deterioration within the device, and in extreme cases leads to permanent damage of the device. Try to prevent such overvoltage or over-current conditions at the design stage.

- (2) **Protection of Output Pins**

Shorting of output pins to supply pins or other output pins, or connection to large capacitance can cause large current flows. Such conditions if present for extended periods of time can damage the device.

Therefore, avoid this type of connection.

- (3) **Handling of Unused Input Pins**

Unconnected input pins with very high impedance levels can adversely affect stability of operation. Such pins should be connected through an appropriate resistance to a power supply pin or ground pin.

- **Latch-up**

Semiconductor devices are constructed by the formation of P-type and N-type areas on a substrate. When subjected to abnormally high voltages, internal parasitic PNP junctions (called thyristor structures) may be formed, causing large current levels in excess of several hundred mA to flow continuously at the power supply pin. This condition is called latch-up.

**CAUTION:** The occurrence of latch-up not only causes loss of reliability in the semiconductor device, but can cause injury or damage from high heat, smoke or flame. To prevent this from happening, do the following:

- (1) Be sure that voltages applied to pins do not exceed the absolute maximum ratings. This should include attention to abnormal noise, surge levels, etc.

- (2) Be sure that abnormal current flows do not occur during the power-on sequence.

- **Observance of Safety Regulations and Standards**

Most countries in the world have established standards and regulations regarding safety, protection from electromagnetic interference, etc. Customers are requested to observe applicable regulations and standards in the design of products.

- **Fail-Safe Design**

Any semiconductor devices have inherently a certain rate of failure. You must protect against injury, damage or loss from such failures by incorporating safety design measures into your facility and equipment such as redundancy, fire protection, and prevention of over-current levels and other abnormal operating conditions.

- **Precautions Related to Usage of Devices**

FUJITSU SEMICONDUCTOR semiconductor devices are intended for use in standard applications (computers, office automation and other office equipment, industrial, communications, and measurement equipment, personal or household devices, etc.).

**CAUTION:** Customers considering the use of our products in special applications where failure or abnormal operation may directly affect human lives or cause physical injury or property damage, or where extremely high levels of reliability are demanded (such as aerospace systems, atomic energy controls, sea floor repeaters, vehicle operating controls, medical devices for life support, etc.) are requested to consult with sales representatives before such use. The company will not be responsible for damages arising from such use without prior approval.

## 2. Precautions for Package Mounting

Package mounting may be either lead insertion type or surface mount type. In either case, for heat resistance during soldering, you should only mount under FUJITSU SEMICONDUCTOR's recommended conditions. For detailed information about mount conditions, contact your sales representative.

- **Lead Insertion Type**

Mounting of lead insertion type packages onto printed circuit boards may be done by two methods: direct soldering on the board, or mounting by using a socket.

Direct mounting onto boards normally involves processes for inserting leads into through-holes on the board and using the flow soldering (wave soldering) method of applying liquid solder. In this case, the soldering process usually causes leads to be subjected to thermal stress in excess of the absolute ratings for storage temperature. Mounting processes should conform to FUJITSU SEMICONDUCTOR recommended mounting conditions.

If socket mounting is used, differences in surface treatment of the socket contacts and IC lead surfaces can lead to contact deterioration after long periods. For this reason it is recommended that the surface treatment of socket contacts and IC leads be verified before mounting.

- **Surface Mount Type**

Surface mount packaging has longer and thinner leads than lead-insertion packaging, and therefore leads are more easily deformed or bent. The use of packages with higher pin counts and narrower pin pitch results in increased susceptibility to open connections caused by deformed pins, or shorting due to solder bridges.

You must use appropriate mounting techniques. FUJITSU SEMICONDUCTOR recommends the solder reflow method, and has established a ranking of mounting conditions for each product. Users are advised to mount packages in accordance with FUJITSU SEMICONDUCTOR ranking of recommended conditions.



- **Lead-Free Packaging**

CAUTION: When ball grid array (BGA) packages with Sn-Ag-Cu balls are mounted using Sn-Pb eutectic soldering, junction strength may be reduced under some conditions of use.

- **Storage of Semiconductor Devices**

Because plastic chip packages are formed from plastic resins, exposure to natural environmental conditions will cause absorption of moisture. During mounting, the application of heat to a package that has absorbed moisture can cause surfaces to peel, reducing moisture resistance and causing packages to crack. To prevent, do the following:

- (1) Avoid exposure to rapid temperature changes, which cause moisture to condense inside the product. Store products in locations where temperature changes are slight.
- (2) Use dry boxes for product storage. Products should be stored below 70% relative humidity, and at temperatures between 5°C and 30°C.  
When you open Dry Package that recommends humidity 40% to 70% relative humidity.
- (3) When necessary, FUJITSU SEMICONDUCTOR packages semiconductor devices in highly moisture-resistant aluminum laminate bags, with a silica gel desiccant. Devices should be sealed in their aluminum laminate bags for storage.
- (4) Avoid storing packages where they are exposed to corrosive gases or high levels of dust.

- **Baking**

Packages that have absorbed moisture may be de-moisturized by baking (heat drying). Follow the FUJITSU SEMICONDUCTOR recommended conditions for baking.

Condition: 125°C/24 h

- **Static Electricity**

Because semiconductor devices are particularly susceptible to damage by static electricity, you must take the following precautions:

- (1) Maintain relative humidity in the working environment between 40% and 70%. Use of an apparatus for ion generation may be needed to remove electricity.
- (2) Electrically ground all conveyors, solder vessels, soldering irons and peripheral equipment.
- (3) Eliminate static body electricity by the use of rings or bracelets connected to ground through high resistance (on the level of 1 MΩ).  
Wearing of conductive clothing and shoes, use of conductive floor mats and other measures to minimize shock loads is recommended.
- (4) Ground all fixtures and instruments, or protect with anti-static measures.
- (5) Avoid the use of styrofoam or other highly static-prone materials for storage of completed board assemblies.

### 3. Precautions for Use Environment

Reliability of semiconductor devices depends on ambient temperature and other conditions as described above.

For reliable performance, do the following:

(1) Humidity

Prolonged use in high humidity can lead to leakage in devices as well as printed circuit boards. If high humidity levels are anticipated, consider anti-humidity processing.

(2) Discharge of Static Electricity

When high-voltage charges exist close to semiconductor devices, discharges can cause abnormal operation. In such cases, use anti-static measures or processing to prevent discharges.

(3) Corrosive Gases, Dust, or Oil

Exposure to corrosive gases or contact with dust or oil may lead to chemical reactions that will adversely affect the device. If you use devices in such conditions, consider ways to prevent such exposure or to protect the devices.

(4) Radiation, Including Cosmic Radiation

Most devices are not designed for environments involving exposure to radiation or cosmic radiation. Users should provide shielding as appropriate.

(5) Smoke, Flame

**CAUTION:** Plastic molded devices are flammable, and therefore should not be used near combustible substances. If devices begin to smoke or burn, there is danger of the release of toxic gases.

Customers considering the use of FUJITSU SEMICONDUCTOR products in other special environmental conditions should consult with sales representatives.

Please check the latest handling precautions at the following URL.  
<http://edevice.fujitsu.com/fj/handling-e.pdf>

## ■ HANDLING DEVICES

### • Power supply pins

In products with multiple VCC and VSS pins, respective pins at the same potential are interconnected within the device in order to prevent malfunctions such as latch-up. However, all of these pins should be connected externally to the power supply or ground lines in order to reduce electromagnetic emission levels, to prevent abnormal operation of strobe signals caused by the rise in the ground level, and to conform to the total output current rating.

Moreover, connect the current supply source with each POWER pins and GND pins of this device at low impedance. It is also advisable that a ceramic capacitor of approximately 0.1  $\mu\text{F}$  be connected as a bypass capacitor between VCC and VSS near this device.

### • Power supply pins

A malfunction may occur when the power supply voltage fluctuates rapidly even though the fluctuation is within the guaranteed operating range of the VCC power supply voltage. As a rule of voltage stabilization, suppress voltage fluctuation so that the fluctuation in VCC ripple (peak-to-peak value) at the commercial frequency (50 Hz/60 Hz) does not exceed 10% of the standard VCC value, and the transient fluctuation rate does not exceed 0.1 V/ $\mu\text{s}$  at a momentary fluctuation such as switching the power supply.

### • Crystal oscillator circuit

Noise near the X0/X1 and X0A/X1A pins may cause the device to malfunction. Design the printed circuit board so that X0/X1, X0A/X1A pins, the crystal oscillator (or ceramic oscillator), and the bypass capacitor to ground are located as close to the device as possible.

It is strongly recommended that the PC board artwork be designed such that the X0/X1 and X0A/X1A pins are surrounded by ground plane as this is expected to produce stable operation.

Evaluate oscillation of your using crystal oscillator by your mount board.

### • Sub crystal oscillator

This series sub oscillator circuit is low gain to keep the low current consumption.

The crystal oscillator to fill the following conditions is recommended for sub crystal oscillator to stabilize the oscillation.

#### • Surface mount type

Size : More than 3.2 mm  $\times$  1.5 mm

Load capacitance : Approximately 6 pF to 7 pF

#### • Lead type

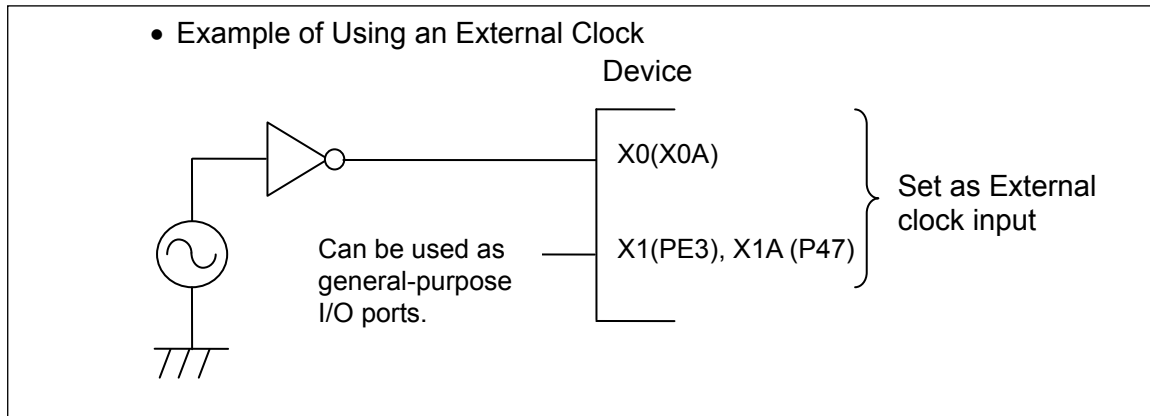
Load capacitance : Approximately 6 pF to 7 pF

# MB9B460L Series

- Using an external clock

When using an external clock as an input of the main clock, set X0/X1 to the external clock input, and input the clock to X0. X1(PE3) can be used as a general-purpose I/O port.

Similarly, when using an external clock as an input of the sub clock, set X0A/X1A to the external clock input, and input the clock to X0A. X1A (P47) can be used as a general-purpose I/O port.



- Handling when using Multi-function serial pin as I<sup>2</sup>C pin

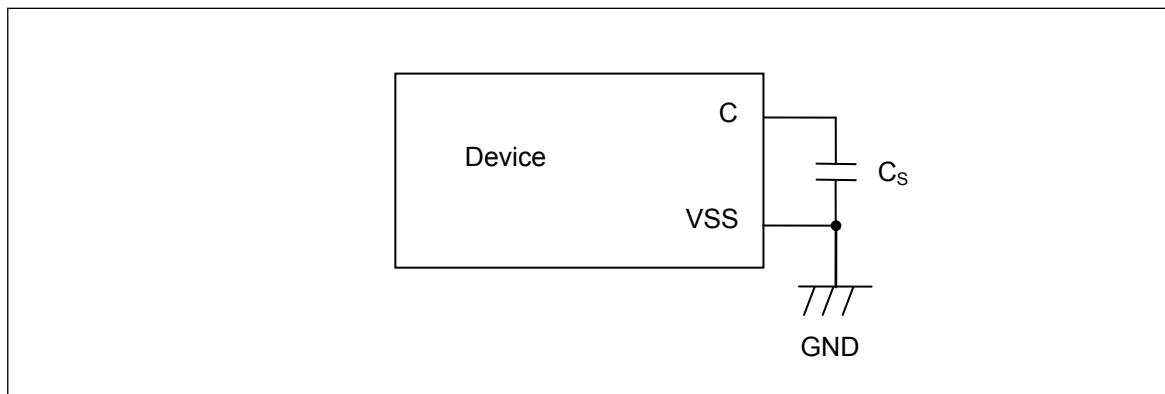
If it is using the multi-function serial pin as I<sup>2</sup>C pins, P-ch transistor of digital output is always disabled.

However, I<sup>2</sup>C pins need to keep the electrical characteristic like other pins and not to connect to the external I<sup>2</sup>C bus system with power OFF.

- C Pin

This series contains the regulator. Be sure to connect a smoothing capacitor ( $C_s$ ) for the regulator between the C pin and the GND pin. Please use a ceramic capacitor or a capacitor of equivalent frequency characteristics as a smoothing capacitor.

However, some laminated ceramic capacitors have the characteristics of capacitance variation due to thermal fluctuation (F characteristics and Y5V characteristics). Please select the capacitor that meets the specifications in the operating conditions to use by evaluating the temperature characteristics of a capacitor. A smoothing capacitor of about 4.7  $\mu$ F would be recommended for this series.



- Mode pins (MD0)

Connect the MD pin (MD0) directly to VCC or VSS pins. Design the printed circuit board such that the pull-up/down resistance stays low, as well as the distance between the mode pins and VCC pins or VSS pins is as short as possible and the connection impedance is low, when the pins are pulled-up/down such as for switching the pin level and rewriting the Flash memory data. It is because of preventing the device erroneously switching to test mode due to noise.

- **Notes on power-on**

Turn power on/off in the following order or at the same time.

If not using the A/D converter and D/A converter, connect AVCC = VCC and AVSS = VSS.

Turning on : VBAT → VCC

VCC → AVCC → AVRH

Turning off : VCC → VBAT

AVRH → AVCC → VCC

- **Serial Communication**

There is a possibility to receive wrong data due to the noise or other causes on the serial communication.

Therefore, design a printed circuit board so as to avoid noise.

Consider the case of receiving wrong data due to noise, perform error detection such as by applying a checksum of data at the end. If an error is detected, retransmit the data.

- **Differences in features among the products with different memory sizes and between Flash products and MASK products**

The electric characteristics including power consumption, ESD, latch-up, noise characteristics, and oscillation characteristics among the products with different memory sizes and between Flash products and MASK products are different because chip layout and memory structures are different.

If you are switching to use a different product of the same series, please make sure to evaluate the electric characteristics.

- **Pull-Up function of 5V tolerant I/O**

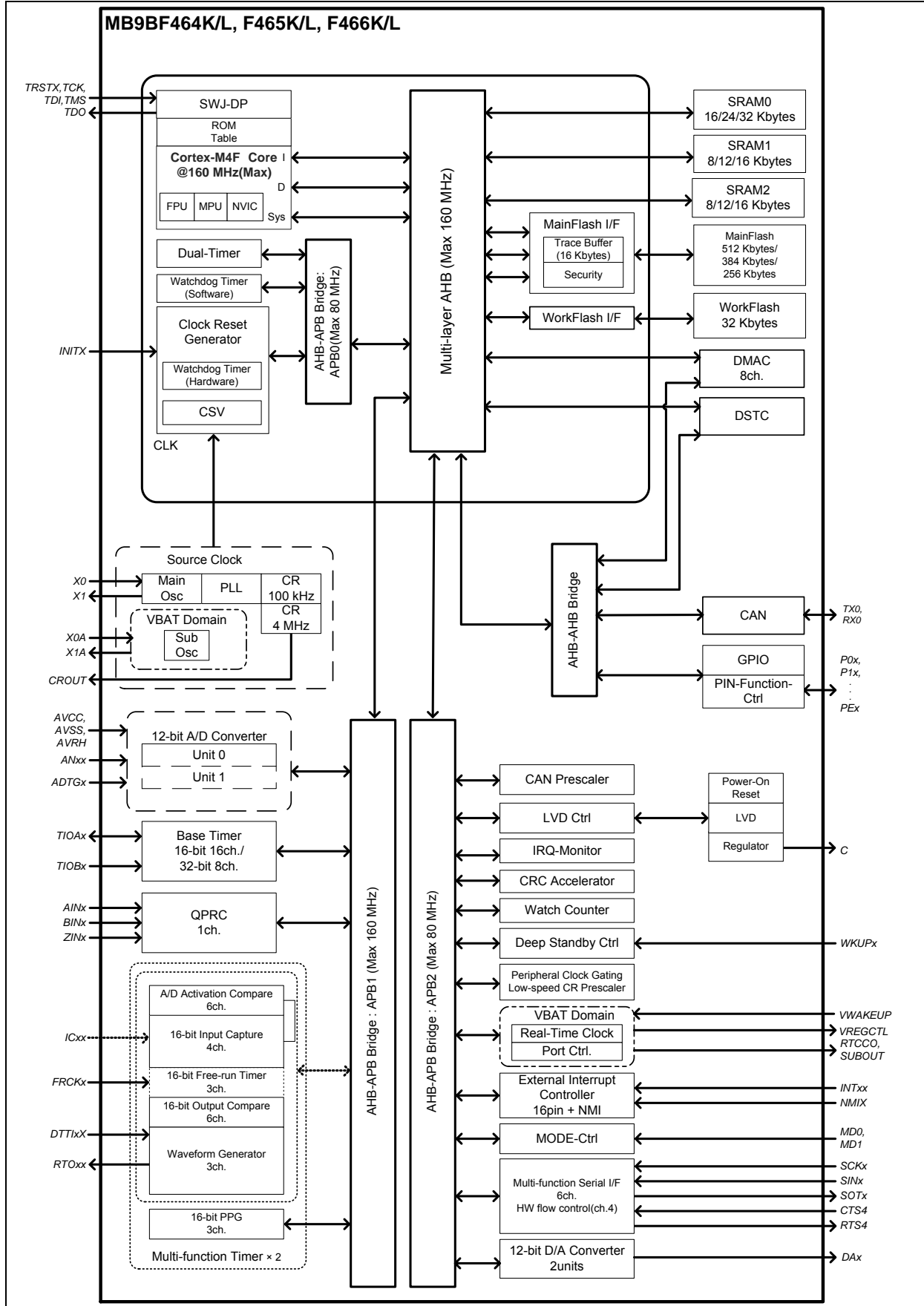
Please do not input the signal more than VCC voltage at the time of Pull-Up function use of 5V tolerant I/O.

- **Handling when using debug pins**

When debug pins (TDO/TMS/TDI/TCK/TRSTX or SWO/SWIO/SWCLK) are set to GPIO or other peripheral functions, only set them as output, do not set them as input.

# MB9B460L Series

## ■ BLOCK DIAGRAM

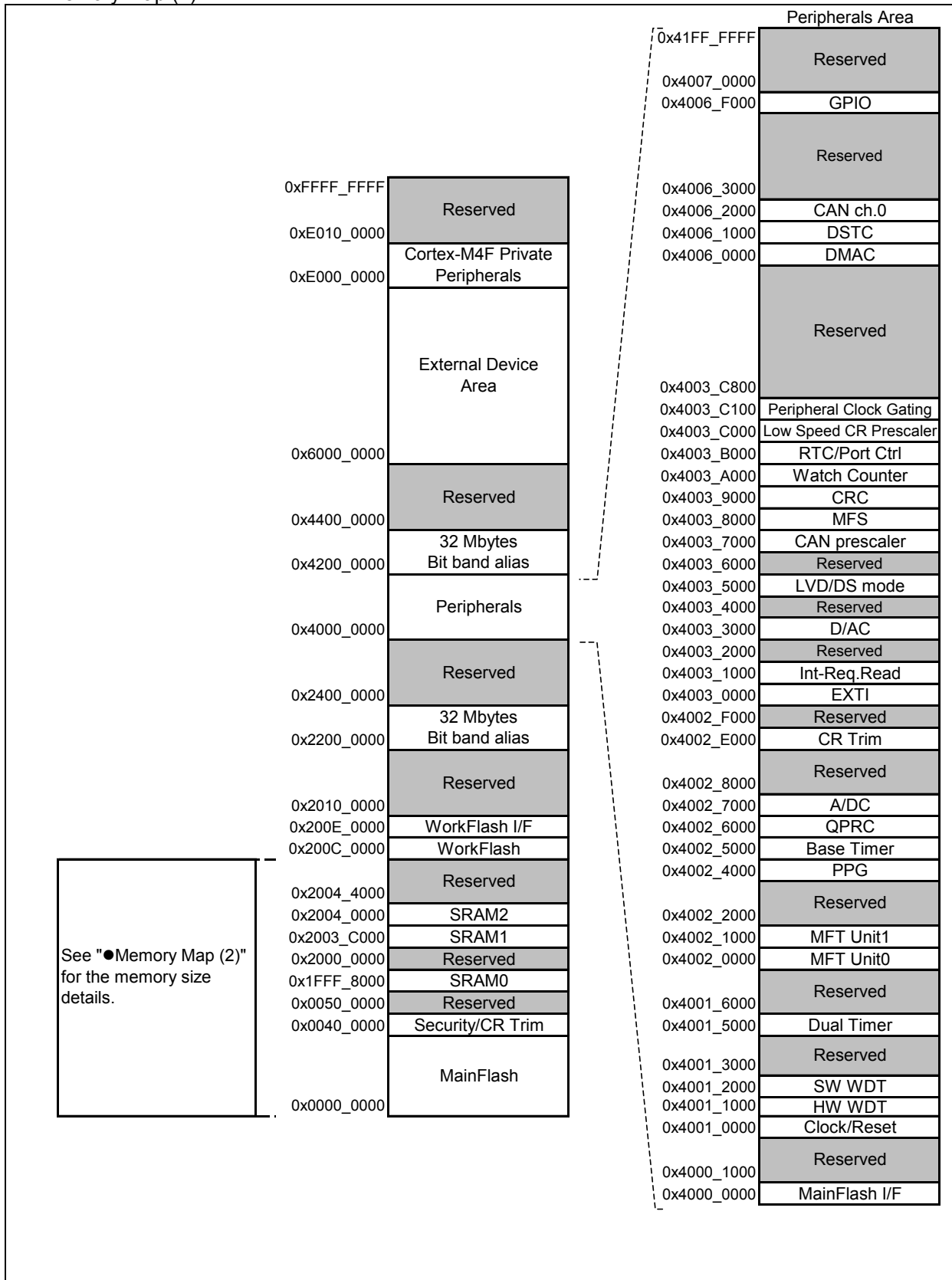


## ■ MEMORY SIZE

See "●Memory size" in "■PRODUCT LINEUP" to confirm the memory size.

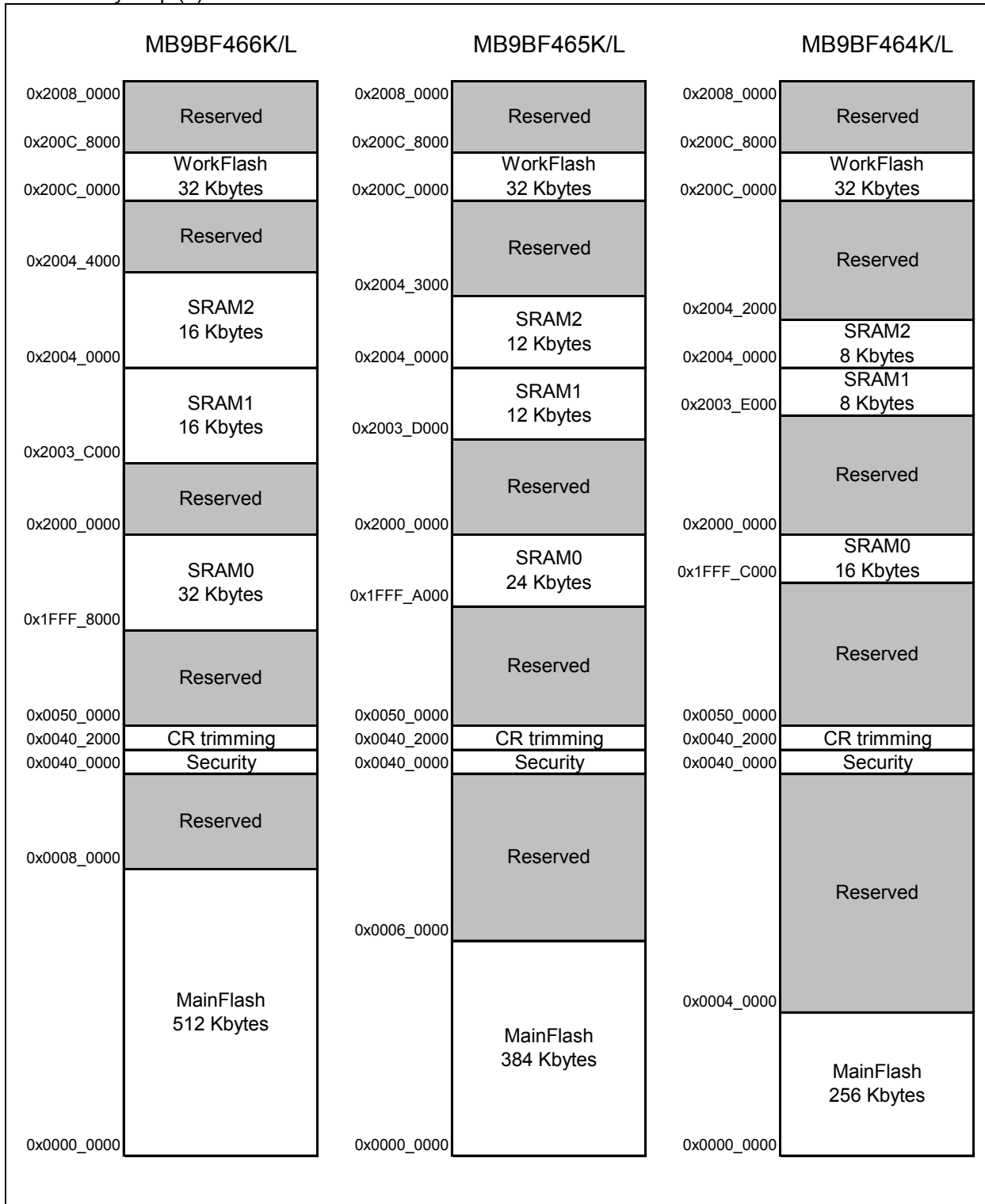
## ■ MEMORY MAP

- Memory Map (1)



# MB9B460L Series

- Memory Map (2)





• Peripheral Address Map

Start address	End address	Bus	Peripherals
0x4000_0000	0x4000_0FFF	AHB	MainFlash I/F register
0x4000_1000	0x4000_FFFF		Reserved
0x4001_0000	0x4001_0FFF	APB0	Clock/Reset Control
0x4001_1000	0x4001_1FFF		Hardware Watchdog timer
0x4001_2000	0x4001_2FFF		Software Watchdog timer
0x4001_3000	0x4001_4FFF		Reserved
0x4001_5000	0x4001_5FFF		Dual-Timer
0x4001_6000	0x4001_FFFF		Reserved
0x4002_0000	0x4002_0FFF		APB1
0x4002_1000	0x4002_1FFF	Multi-function timer unit1	
0x4002_2000	0x4003_FFFF	Reserved	
0x4002_4000	0x4002_4FFF	PPG	
0x4002_5000	0x4002_5FFF	Base Timer	
0x4002_6000	0x4002_6FFF	Quadrature Position/Revolution Counter	
0x4002_7000	0x4002_7FFF	A/D Converter	
0x4002_8000	0x4002_DFFF	Reserved	
0x4002_E000	0x4002_EFFF	Internal CR trimming	
0x4002_F000	0x4002_FFFF	Reserved	
0x4003_0000	0x4003_0FFF	APB2	External Interrupt Controller
0x4003_1000	0x4003_1FFF		Interrupt Request Batch-Read Function
0x4003_2000	0x4003_4FFF		Reserved
0x4003_3000	0x4003_3FFF		D/A Converter
0x4003_4000	0x4003_4FFF		Reserved
0x4003_5000	0x4003_57FF		Low Voltage Detector
0x4003_5800	0x4003_5FFF		Deep standby mode Controller
0x4003_6000	0x4003_6FFF		Reserved
0x4003_7000	0x4003_7FFF		CAN prescaler
0x4003_8000	0x4003_8FFF		Multi-function serial Interface
0x4003_9000	0x4003_9FFF		CRC
0x4003_A000	0x4003_AFFF		Watch Counter
0x4003_B000	0x4003_BFFF		RTC/Port Ctrl
0x4003_C000	0x4003_C0FF		Low-speed CR Prescaler
0x4003_C100	0x4003_C7FF		Peripheral Clock Gating
0x4003_C800	0x4003_FFFF		Reserved
0x4004_0000	0x4005_FFFF		AHB
0x4006_0000	0x4006_0FFF	DMAC register	
0x4006_1000	0x4006_1FFF	DSTC register	
0x4006_2000	0x4006_2FFF	CAN ch.0	
0x4006_3000	0x4006_EFFF	Reserved	
0x4006_F000	0x4006_FFFF	GPIO	
0x4006_7000	0x41FF_FFFF	Reserved	
0x200E_0000	0x200E_FFFF	WorkFlash I/F register	

## ■ PIN STATUS IN EACH CPU STATE

The terms used for pin status have the following meanings.

- INITX=0  
This is the period when the INITX pin is the "L" level.
- INITX=1  
This is the period when the INITX pin is the "H" level.
- SPL=0  
This is the status that the standby pin level setting bit (SPL) in the standby mode control register (STB\_CTL) is set to "0".
- SPL=1  
This is the status that the standby pin level setting bit (SPL) in the standby mode control register (STB\_CTL) is set to "1".
- Input enabled  
Indicates that the input function can be used.
- Internal input fixed at "0"  
This is the status that the input function cannot be used. Internal input is fixed at "L".
- Hi-Z  
Indicates that the pin drive transistor is disabled and the pin is put in the Hi-Z state.
- Setting disabled  
Indicates that the setting is disabled.
- Maintain previous state  
Maintains the state that was immediately prior to entering the current mode.  
If a built-in peripheral function is operating, the output follows the peripheral function.  
If the pin is being used as a port, that output is maintained.
- Analog input is enabled  
Indicates that the analog input is enabled.
- Trace output  
Indicates that the trace function can be used.
- GPIO selected  
In Deep standby mode, pins switch to the general-purpose I/O port.
- Setting prohibition  
Prohibition of a setting by specification limitation.

• List of Pin Status

Pin status type	Function group	Power-on reset or low-voltage detection state	INITX input state	Device internal reset state	Run mode or SLEEP mode state	TIMER mode, RTC mode, or STOP mode state		Deep standby RTC mode or Deep standby STOP mode state		Return from Deep standby mode state
		Power supply unstable	Power supply stable		Power supply stable	Power supply stable		Power supply stable		Power supply stable
		-	INITX=0	INITX=1	INITX=1	INITX=1		INITX=1		INITX=1
		-	-	-	-	SPL=0	SPL=1	SPL=0	SPL=1	-
A	GPIO selected	Setting disabled	Setting disabled	Setting disabled	Maintain previous state	Maintain previous state	Hi-Z / Internal input fixed at "0"	GPIO selected Internal input fixed at "0"	Hi-Z / Internal input fixed at "0"	GPIO selected
	Main crystal oscillator input pin/ External main clock input selected	Input enabled	Input enabled	Input enabled	Input enabled	Input enabled	Input enabled	Input enabled	Input enabled	Input enabled
B	GPIO selected	Setting disabled	Setting disabled	Setting disabled	Maintain previous state	Maintain previous state	Hi-Z / Internal input fixed at "0"	GPIO selected Internal input fixed at "0"	Hi-Z / Internal input fixed at "0"	GPIO selected
	External main clock input selected	Setting disabled	Setting disabled	Setting disabled	Maintain previous state	Maintain previous state	Hi-Z / Internal input fixed at "0"	Maintain previous state	Hi-Z / Internal input fixed at "0"	Maintain previous state
	Main crystal oscillator output pin	Hi-Z / Internal input fixed at "0" / or Input enable	Hi-Z / Internal input fixed at "0"	Hi-Z / Internal input fixed at "0"	Maintain previous state/When oscillation stops*1, Hi-Z / Internal input fixed at "0"	Maintain previous state/When oscillation stops*1, Hi-Z / Internal input fixed at "0"	Maintain previous state/When oscillation stops*1, Hi-Z / Internal input fixed at "0"	Maintain previous state/When oscillation stops*1, Hi-Z / Internal input fixed at "0"	Maintain previous state/When oscillation stops*1, Hi-Z / Internal input fixed at "0"	Maintain previous state/When oscillation stops*1, Hi-Z / Internal input fixed at "0"
C	INITX input pin	Pull-up / Input enabled	Pull-up / Input enabled	Pull-up / Input enabled	Pull-up / Input enabled	Pull-up / Input enabled	Pull-up / Input enabled	Pull-up / Input enabled	Pull-up / Input enabled	Pull-up / Input enabled
D	Mode input pin	Input enabled	Input enabled	Input enabled	Input enabled	Input enabled	Input enabled	Input enabled	Input enabled	Input enabled
E	Mode input pin	Input enabled	Input enabled	Input enabled	Input enabled	Input enabled	Input enabled	Input enabled	Input enabled	Input enabled
	GPIO selected	Setting disabled	Setting disabled	Setting disabled	Maintain previous state	Maintain previous state	Hi-Z / Input enabled	GPIO selected	Hi-Z / Input enabled	GPIO selected

# MB9B460L Series

Pin status type	Function group	Power-on reset or low-voltage detection state	INITX input state	Device internal reset state	Run mode or SLEEP mode state	TIMER mode, RTC mode, or STOP mode state		Deep standby RTC mode or Deep standby STOP mode state		Return from Deep standby mode state	
		Power supply unstable	Power supply stable		Power supply stable	Power supply stable		Power supply stable		Power supply stable	
		-	INITX=0	INITX=1	INITX=1	INITX=1		INITX=1		INITX=1	
		-	-	-	-	SPL=0	SPL=1	SPL=0	SPL=1	-	
F	NMIX selected	Setting disabled	Setting disabled	Setting disabled	Maintain previous state	Maintain previous state	Maintain previous state	WKUP input enabled	Hi-Z / WKUP input enabled	GPIO selected	
	Resource other than above selected	Hi-Z	Hi-Z / Input enabled	Hi-Z / Input enabled			Hi-Z / Internal input fixed at "0"				Maintain previous state
	GPIO selected						Maintain previous state				
G	JTAG selected	Hi-Z	Pull-up / Input enabled	Pull-up / Input enabled	Maintain previous state	Maintain previous state	Maintain previous state	Maintain previous state	Maintain previous state	Maintain previous state	
	GPIO selected	Setting disabled	Setting disabled	Setting disabled			Hi-Z / Internal input fixed at "0"				GPIO selected Internal input fixed at "0"
J	Analog output selected	Setting disabled	Setting disabled	Setting disabled	Maintain previous state	*2	*3	GPIO selected Internal input fixed at "0"	Hi-Z / Internal input fixed at "0"	GPIO selected	
	External interrupt enabled selected					Hi-Z	Hi-Z / Input enabled				Hi-Z / Input enabled
	Resource other than above selected	Hi-Z / Internal input fixed at "0"									
	GPIO selected										
K	External interrupt enabled selected	Setting disabled	Setting disabled	Setting disabled	Maintain previous state	Maintain previous state	Maintain previous state	GPIO selected Internal input fixed at "0"	Hi-Z / Internal input fixed at "0"	GPIO selected	
	Resource other than above selected	Hi-Z	Hi-Z / Input enabled	Hi-Z / Input enabled			Hi-Z / Internal input fixed at "0"				
	GPIO selected										

# MB9B460L Series

Pin status type	Function group	Power-on reset or low-voltage detection state	INITX input state	Device internal reset state	Run mode or SLEEP mode state	TIMER mode, RTC mode, or STOP mode state		Deep standby RTC mode or Deep standby STOP mode state		Return from Deep standby mode state
		Power supply unstable	Power supply stable		Power supply stable	Power supply stable		Power supply stable		Power supply stable
		-	INITX=0	INITX=1	INITX=1	INITX=1		INITX=1		INITX=1
		-	-	-	-	SPL=0	SPL=1	SPL=0	SPL=1	-
L	Analog input selected	Hi-Z	Hi-Z / Internal input fixed at "0" / Analog input enabled	Hi-Z / Internal input fixed at "0" / Analog input enabled	Hi-Z / Internal input fixed at "0" / Analog input enabled	Hi-Z / Internal input fixed at "0" / Analog input enabled	Hi-Z / Internal input fixed at "0" / Analog input enabled	Hi-Z / Internal input fixed at "0" / Analog input enabled	Hi-Z / Internal input fixed at "0" / Analog input enabled	Hi-Z / Internal input fixed at "0" / Analog input enabled
	Resource other than above selected	Setting disabled	Setting disabled	Setting disabled	Maintain previous state	Maintain previous state	Hi-Z / Internal input fixed at "0"	GPIO selected Internal input fixed at "0"	Hi-Z / Internal input fixed at "0"	GPIO selected
	GPIO selected									
M	Analog input selected	Hi-Z	Hi-Z / Internal input fixed at "0" / Analog input enabled	Hi-Z / Internal input fixed at "0" / Analog input enabled	Hi-Z / Internal input fixed at "0" / Analog input enabled	Hi-Z / Internal input fixed at "0" / Analog input enabled	Hi-Z / Internal input fixed at "0" / Analog input enabled	Hi-Z / Internal input fixed at "0" / Analog input enabled	Hi-Z / Internal input fixed at "0" / Analog input enabled	Hi-Z / Internal input fixed at "0" / Analog input enabled
	External interrupt enabled selected	Setting disabled	Setting disabled	Setting disabled	Maintain previous state	Maintain previous state	Maintain previous state	GPIO selected Internal input fixed at "0"	Hi-Z / Internal input fixed at "0"	GPIO selected
	Resource other than above selected						Hi-Z / Internal input fixed at "0"			
	GPIO selected									

# MB9B460L Series

Pin status type	Function group	Power-on reset or low-voltage detection state	INITX input state	Device internal reset state	Run mode or SLEEP mode state	TIMER mode, RTC mode, or STOP mode state		Deep standby RTC mode or Deep standby STOP mode state		Return from Deep standby mode state
		Power supply unstable	Power supply stable		Power supply stable	Power supply stable		Power supply stable		Power supply stable
		-	INITX=0	INITX=1	INITX=1	INITX=1		INITX=1		INITX=1
		-	-	-	-	SPL=0	SPL=1	SPL=0	SPL=1	-
O	Analog input selected	Hi-Z	Hi-Z / Internal input fixed at "0" / Analog input enabled	Hi-Z / Internal input fixed at "0" / Analog input enabled	Hi-Z / Internal input fixed at "0" / Analog input enabled	Hi-Z / Internal input fixed at "0" / Analog input enabled	Hi-Z / Internal input fixed at "0" / Analog input enabled	Hi-Z / Internal input fixed at "0" / Analog input enabled	Hi-Z / Internal input fixed at "0" / Analog input enabled	Hi-Z / Internal input fixed at "0" / Analog input enabled
	WKUP enabled	Setting disabled	Setting disabled	Setting disabled	Maintain previous state	Maintain previous state	Maintain previous state	WKUP input enabled	WKUP input enabled	GPIO selected
	External interrupt enabled selected							GPIO selected	Hi-Z / Internal input fixed at "0"	
	Resource other than above selected	Hi-Z	Hi-Z Input enabled	Hi-Z Input enabled	Maintain previous state	Maintain previous state	Hi-Z / Internal input fixed at "0"	Hi-Z / Internal input fixed at "0"	Hi-Z / Internal input fixed at "0"	Hi-Z / Internal input fixed at "0"
	GPIO selected									
P	Analog input selected	Hi-Z	Hi-Z / Internal input fixed at "0" / Analog input enabled	Hi-Z / Internal input fixed at "0" / Analog input enabled	Hi-Z / Internal input fixed at "0" / Analog input enabled	Hi-Z / Internal input fixed at "0" / Analog input enabled	Hi-Z / Internal input fixed at "0" / Analog input enabled	Hi-Z / Internal input fixed at "0" / Analog input enabled	Hi-Z / Internal input fixed at "0" / Analog input enabled	Hi-Z / Internal input fixed at "0" / Analog input enabled
	WKUP enabled	Setting disabled	Setting disabled	Setting disabled	Maintain previous state	Maintain previous state	Maintain previous state	WKUP input enabled	Hi-Z / WKUP input enabled	GPIO selected
	Resource other than above selected						Hi-Z / Internal input fixed at "0"	GPIO selected	Hi-Z / Internal input fixed at "0"	
	GPIO selected									

Pin status type	Function group	Power-on reset or low-voltage detection state	INITX input state	Device internal reset state	Run mode or SLEEP mode state	TIMER mode, RTC mode, or STOP mode state		Deep standby RTC mode or Deep standby STOP mode state		Return from Deep standby mode state
		Power supply unstable	Power supply stable		Power supply stable	Power supply stable		Power supply stable		Power supply stable
		-	INITX=0	INITX=1	INITX=1	INITX=1		INITX=1		INITX=1
		-	-	-	-	SPL=0	SPL=1	SPL=0	SPL=1	-
Q	WKUP enabled	Setting disabled	Setting disabled	Setting disabled	Maintain previous state	Maintain previous state	Maintain previous state	WKUP input enabled	Hi-Z / WKUP input enabled	GPIO selected
	External interrupt enabled selected							GPIO selected Internal input fixed at "0"	Hi-Z / Internal input fixed at "0"	
	Resource other than above selected	Hi-Z	Hi-Z / Input enabled	Hi-Z / Input enabled			Hi-Z / Internal input fixed at "0"			
	GPIO selected									
R	GPIO selected	Hi-Z	Hi-Z / Input enabled	Hi-Z / Input enabled	Maintain previous state	Maintain previous state	Hi-Z / Internal input fixed at "0"	GPIO selected Internal input fixed at "0" Hi-Z / Input enabled	Hi-Z / Internal input fixed at "0" Hi-Z / Input enabled	GPIO selected

\*1 : Oscillation is stopped at Sub timer mode, sub CR timer mode, RTC mode, STOP mode, Deep standby RTC mode, and Deep standby STOP mode.

\*2 : Maintain previous state at timer mode. GPIO selected Internal input fixed at "0" at RTC mode, STOP mode.

\*3 : Maintain previous state at timer mode. Hi-Z/Internal input fixed at "0" at RTC mode, STOP mode.

# MB9B460L Series

## • List of VBAT Domain Pin Status

VBAT pin status type	Function group	VBAT Power-on reset	INITX input state	Device internal reset state	Run mode or SLEEP mode state	TIMER mode, RTC mode, or STOP mode state		Deep standby RTC mode or Deep standby STOP mode state		Return from Deep standby mode state	VBAT RTC mode state	Return from VBAT RTC mode state
		Power supply unstable	Power supply stable		Power supply stable	Power supply stable		Power supply stable		Power supply stable	Power supply stable	Power supply stable
		-	INITX=0	INITX=1	INITX=1	INITX=1		INITX=1		INITX=1	-	-
		-	-	-	-	SPL=0	SPL=1	SPL=0	SPL=1	-	-	-
S	GPIO selected	Setting disabled	Setting disabled	Setting disabled	Maintain previous state	Maintain previous state	Hi-Z / Internal input fixed at "0"	GPIO selected Internal input fixed at "0"	Hi-Z / Internal input fixed at "0"	GPIO selected	Setting prohibition	-
	Sub crystal oscillator input pin / External sub clock input selected	Input enabled	Input enabled	Input enabled	Input enabled	Input enabled	Input enabled	Input enabled	Input enabled	Input enabled	Maintain previous state	Maintain previous state
T	GPIO selected	Setting disabled	Setting disabled	Setting disabled	Maintain previous state	Maintain previous state	Hi-Z / Internal input fixed at "0"	GPIO selected Internal input fixed at "0"	Hi-Z / Internal input fixed at "0"	GPIO selected	Setting prohibition	-
	External sub clock input selected	Setting disabled	Setting disabled	Setting disabled	Maintain previous state	Maintain previous state	Hi-Z / Internal input fixed at "0"	Maintain previous state	Hi-Z / Internal input fixed at "0"	Maintain previous state	Maintain previous state	Maintain previous state
	Sub crystal oscillator output pin	Hi-Z / Internal input fixed at "0" / or Input enable	Hi-Z / Internal input fixed at "0"	Hi-Z / Internal input fixed at "0"	Maintain previous state	Maintain previous state/When oscillation stops*, Hi-Z / Internal input fixed at "0"	Maintain previous state/When oscillation stops*, Hi-Z / Internal input fixed at "0"	Maintain previous state/When oscillation stops*, Hi-Z / Internal input fixed at "0"	Maintain previous state/When oscillation stops*, Hi-Z / Internal input fixed at "0"	Maintain previous state/When oscillation stops*, Hi-Z / Internal input fixed at "0"	Maintain previous state	Maintain previous state
U	Resource selected	Hi-Z	Maintain previous state	Maintain previous state	Maintain previous state	Maintain previous state	Maintain previous state	Maintain previous state	Maintain previous state	Maintain previous state	Maintain previous state	Maintain previous state
	GPIO selected											

\*: Oscillation is stopped at STOP mode and Deep standby STOP mode.



## ■ ELECTRICAL CHARACTERISTICS

### 1. Absolute Maximum Ratings

Parameter	Symbol	Rating		Unit	Remarks
		Min	Max		
Power supply voltage *1, *2	$V_{CC}$	$V_{SS} - 0.5$	$V_{SS} + 6.5$	V	
Power supply voltage (VBAT) *1, *3	$V_{BAT}$	$V_{SS} - 0.5$	$V_{SS} + 6.5$	V	
Analog power supply voltage *1, *4	$AV_{CC}$	$V_{SS} - 0.5$	$V_{SS} + 6.5$	V	
Analog reference voltage *1, *4	$AVRH$	$V_{SS} - 0.5$	$V_{SS} + 6.5$	V	
Input voltage *1	$V_I$	$V_{SS} - 0.5$	$V_{CC} + 0.5$ ( $\leq 6.5V$ )	V	
		$V_{SS} - 0.5$	$V_{SS} + 6.5$	V	5V tolerant
Analog pin input voltage *1	$V_{IA}$	$V_{SS} - 0.5$	$AV_{CC} + 0.5$ ( $\leq 6.5V$ )	V	
Output voltage *1	$V_O$	$V_{SS} - 0.5$	$V_{CC} + 0.5$ ( $\leq 6.5V$ )	V	
"L" level maximum output current *5	$I_{OL}$	-	10	mA	4mA type
			20	mA	8mA type
			20	mA	12mA type
			22.4	mA	I <sup>2</sup> C Fm+
"L" level average output current *6	$I_{OLAV}$	-	4	mA	4mA type
			8	mA	8mA type
			12	mA	12mA type
			20	mA	I <sup>2</sup> C Fm+
"L" level total maximum output current	$\sum I_{OL}$	-	100	mA	
"L" level total maximum output current *7	$\sum I_{OLAV}$	-	50	mA	
"H" level maximum output current *5	$I_{OH}$	-	- 10	mA	4mA type
			- 20	mA	8mA type
			- 20	mA	12mA type
"H" level average output current *6	$I_{OHAV}$	-	- 4	mA	4mA type
			- 8	mA	8mA type
			- 12	mA	12mA type
"H" level total maximum output current	$\sum I_{OH}$	-	- 100	mA	
"H" level total average output current *7	$\sum I_{OHAV}$	-	- 50	mA	
Storage temperature	$T_{STG}$	- 55	+ 150	°C	

\*1 : These parameters are based on the condition that  $V_{SS} = AV_{SS} = 0.0V$ .

\*2 :  $V_{CC}$  must not drop below  $V_{SS} - 0.5V$ .

\*3 :  $V_{BAT}$  must not drop below  $V_{SS} - 0.5V$ .

\*4 : Ensure that the voltage does not exceed  $V_{CC} + 0.5V$ , for example, when the power is turned on.

\*5 : The maximum output current is defined as the value of the peak current flowing through any one of the corresponding pins.

\*6 : The average output current is defined as the average current value flowing through any one of the corresponding pins for a 100ms period.

\*7 : The total average output current is defined as the average current value flowing through all of corresponding pins for a 100ms.

---

**<WARNING>**

Semiconductor devices may be permanently damaged by application of stress (including, without limitation, voltage, current or temperature) in excess of absolute maximum ratings.  
Do not exceed any of these ratings.

---

## 2. Recommended Operating Conditions

Parameter	Symbol	Conditions	Value		Unit	Remarks
			Min	Max		
Power supply voltage	V <sub>CC</sub>	-	2.7	5.5	V	
Power supply voltage (VBAT)	V <sub>BAT</sub>	-	2.7	5.5	V	
Analog power supply voltage	AV <sub>CC</sub>	-	2.7	5.5	V	AV <sub>CC</sub> =V <sub>CC</sub>
Analog reference voltage	AVRH	-	*1	AV <sub>CC</sub>	V	
Operating temperature	Junction temperature	T <sub>j</sub>	- 40	+ 125	°C	
	Ambient temperature	T <sub>a</sub>	- 40	*2	°C	

\*1 : The minimum value of Analog reference voltage depends on the value of compare clock cycle (T<sub>ck</sub>).

See "5. 12-bit A/D Converter" for the details.

\*2 : The maximum temperature of the ambient temperature (T<sub>a</sub>) can guarantee a range that does not exceed the junction temperature (T<sub>j</sub>).

The calculation formula of the ambient temperature (T<sub>a</sub>) is shown below.

$$T_a(\text{Max}) = T_j(\text{Max}) - P_d(\text{Max}) \times \theta_{ja}$$

P<sub>d</sub> : Power dissipation (W)

θ<sub>ja</sub> : Package thermal resistance (°C/W)

$$P_d(\text{Max}) = V_{CC} \times I_{CC}(\text{Max}) + \sum (I_{OL} \times V_{OL}) + \sum ((V_{CC} - V_{OH}) \times (-I_{OH}))$$

I<sub>OL</sub> : "L" level output current

I<sub>OH</sub> : "H" level output current

V<sub>OL</sub> : "L" level output voltage

V<sub>OH</sub> : "H" level output voltage

Package thermal resistance and maximum permissible power for each package are shown below.

The operation is guaranteed maximum permissible power or less for semiconductor devices.

- Table for package thermal resistance and maximum permissible power

Package	Printed circuit board	Thermal resistance θ <sub>ja</sub> (°C/W)	Maximum permissible power (mW)	
			T <sub>a</sub> =+85°C	T <sub>a</sub> =+105°C
FPT-48P-M49 (0.5mm pitch)	Single-layered both sides	87	460	230
	4 layers	53	755	377
LCC-48P-M73 (0.5mm pitch)	Single-layered both sides	30	1333	667
	4 layers	24	1667	833
FPT-64P-M38 (0.5mm pitch)	Single-layered both sides	70	571	286
	4 layers	45	889	444
FPT-64P-M39 (0.65mm pitch)	Single-layered both sides	61	656	328
	4 layers	40	1000	500
LCC-64P-M24 (0.5mm pitch)	Single-layered both sides	24	1667	833
	4 layers	21	1905	952

# MB9B460L Series

## <WARNING>

The recommended operating conditions are required in order to ensure the normal operation of the semiconductor device. All of the device's electrical characteristics are warranted when the device is operated under these conditions.

Any use of semiconductor devices will be under their recommended operating condition.

Operation under any conditions other than these conditions may adversely affect reliability of device and could result in device failure.

No warranty is made with respect to any use, operating conditions or combinations not represented on this data sheet. If you are considering application under any conditions other than listed herein, please contact sales representatives beforehand.

### • Calculation method of power dissipation (Pd)

The power dissipation is shown in the following formula.

$$P_d = V_{CC} \times I_{CC} + \sum (I_{OL} \times V_{OL}) + \sum ((V_{CC} - V_{OH}) \times (-I_{OH}))$$

$I_{OL}$  : "L" level output current

$I_{OH}$  : "H" level output current

$V_{OL}$  : "L" level output voltage

$V_{OH}$  : "H" level output voltage

$I_{CC}$  is a current consumed in device.

It can be analyzed as follows.

$$I_{CC} = I_{CC}(\text{INT}) + \sum I_{CC}(\text{IO})$$

$I_{CC}(\text{INT})$  : Current consumed in internal logic and memory, etc. through regulator

$\sum I_{CC}(\text{IO})$  : Sum of current (I/O switching current) consumed in output pin

For  $I_{CC}(\text{INT})$ , it can be anticipated by "(1) Current Rating" in "3. DC Characteristics" (This rating value does not include  $I_{CC}(\text{IO})$  for a value at pin fixed).

For  $I_{CC}(\text{IO})$ , it depends on system used by customers.

The calculation formula is shown below.

$$I_{CC}(\text{IO}) = (C_{\text{INT}} + C_{\text{EXT}}) \times V_{CC} \times f_{\text{SW}}$$

$C_{\text{INT}}$  : Pin internal load capacitance  
 $C_{\text{EXT}}$  : External load capacitance of output pin  
 $f_{\text{SW}}$  : Pin switching frequency

Parameter	Symbol	Conditions	Capacitance value
Pin internal load capacitance	$C_{\text{INT}}$	4mA type	1.93pF
		8mA type	3.45pF
		12mA type	3.42pF

Calculate  $I_{CC}(\text{Max})$  as follows when the power dissipation can be evaluated by yourself.

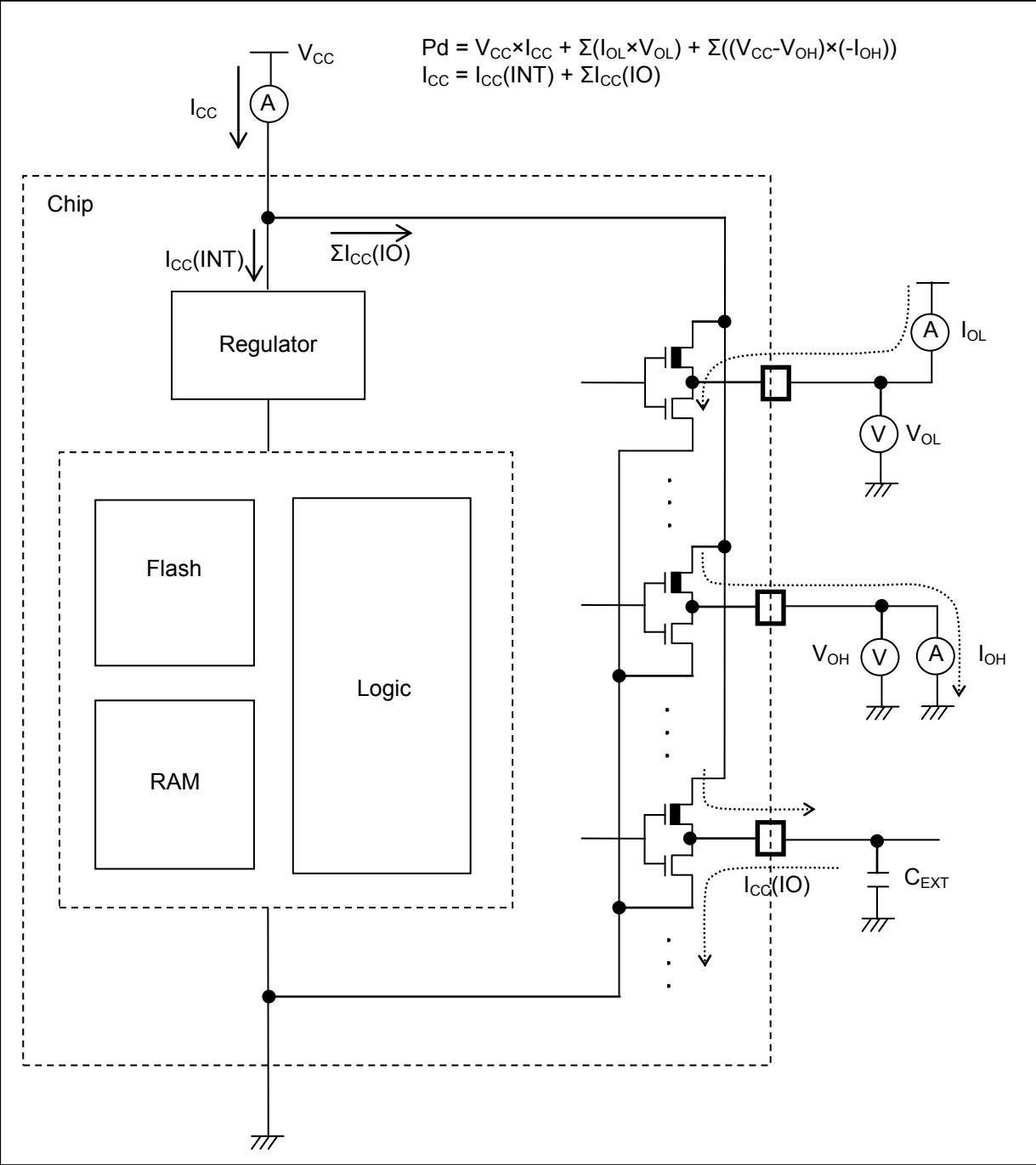
(1) Measure current value  $I_{CC}(\text{Typ})$  at normal temperature (+25°C).

(2) Add maximum leak current value  $I_{CC}(\text{leak\_max})$  at operating on a value in (1).

$$I_{CC}(\text{Max}) = I_{CC}(\text{Typ}) + I_{CC}(\text{leak\_max})$$

Parameter	Symbol	Conditions	Current value
Maximum leak current at operating	$I_{CC}(\text{leak\_max})$	$T_j = +125^\circ\text{C}$	28mA
		$T_j = +105^\circ\text{C}$	17mA
		$T_j = +85^\circ\text{C}$	13mA

- Current explanation diagram



# MB9B460L Series

## 3. DC Characteristics

### (1) Current Rating

Parameter	Symbol	Pin name	Conditions	Frequency* <sup>4</sup>	Value		Unit	Remarks
					Typ* <sup>1</sup>	Max* <sup>2</sup>		
Power supply current	I <sub>CC</sub>	VCC	Normal operation* <sup>5,*6</sup> (PLL)	160MHz	44	72	mA	* <sup>3</sup> When all peripheral clocks are ON
				144MHz	40	67		
				120MHz	34	60		
				100MHz	29	55		
				80MHz	23	48		
				60MHz	18	42		
				40MHz	13	37		
				20MHz	7.7	31		
				8MHz	4.6	27		
				4MHz	3.6	26		
				160MHz	30	58	mA	* <sup>3</sup> When all peripheral clocks are OFF
				144MHz	27	54		
				120MHz	23	49		
				100MHz	20	46		
				80MHz	16	41		
				60MHz	13	38		
				40MHz	9	33		
				20MHz	5.7	30		
				8MHz	3.7	27		
				4MHz	3	26		

Parameter	Symbol	Pin name	Conditions	Frequency* <sup>7</sup>	Value		Unit	Remarks
					Typ* <sup>1</sup>	Max* <sup>2</sup>		
Power supply current	I <sub>CC</sub>	VCC	Normal operation* <sup>8</sup> (PLL)	160MHz	64	101	mA	* <sup>3</sup> When all peripheral clocks are ON
				144MHz	60	96		
				120MHz	52	88		
				100MHz	46	81		
				80MHz	39	73		
				60MHz	32	65		
				40MHz	25	58		
				20MHz	15	47		
				8MHz	7.8	39		
				4MHz	5.2	36		
				160MHz	47	80	mA	* <sup>3</sup> When all peripheral clocks are OFF
				144MHz	43	75		
				120MHz	39	71		
				100MHz	35	66		
				80MHz	30	61		
				60MHz	25	55		
				40MHz	20	50		
				20MHz	13	42		
				8MHz	6.7	36		
				4MHz	4.7	34		

\*1: Ta=+25°C, V<sub>CC</sub>=3.3V

\*2: Tj=+125°C, V<sub>CC</sub>=5.5V

\*3: When all ports are fixed.

\*4: Frequency is a value of HCLK. PCLK0=PCLK1=PCLK2=HCLK/2

\*5: When operating flash accelerator mode and trace buffer function (FRWTR.RWT = 10, FBFCR.BE = 1)

\*6: Data access is nothing to MainFlash memory

\*7: Frequency is a value of HCLK. PCLK0=PCLK2=HCLK/2, PCLK1=HCLK

\*8: When stopping flash accelerator mode and trace buffer function (FRWTR.RWT = 10, FBFCR.BE = 0)

# MB9B460L Series

Parameter	Symbol	Pin name	Conditions	Frequency* <sup>4</sup> (MHz)	Value		Unit	Remarks			
					Typ* <sup>1</sup>	Max* <sup>2</sup>					
Power supply current	I <sub>CC</sub>	VCC	Normal operation* <sup>5</sup> (PLL)	72MHz	41	75	mA	* <sub>3</sub> When all peripheral clocks are ON			
				60MHz	36	69					
				48MHz	31	64					
				36MHz	25	57					
				24MHz	18	50					
				12MHz	11	42					
				8MHz	8.1	39					
				4MHz	5.4	37					
							72MHz	32	63	mA	* <sub>3</sub> When all peripheral clocks are OFF
							60MHz	28	58		
							48MHz	24	54		
							36MHz	20	50		
							24MHz	15	45		
							12MHz	9.1	38		
							8MHz	6.9	36		
							4MHz	4.6	34		

\*1: Ta=+25°C, V<sub>CC</sub>=3.3V

\*2: Tj=+125°C, V<sub>CC</sub>=5.5V

\*3: When all ports are fixed.

\*4: Frequency is a value of HCLK. PCLK0=PCLK1=PCLK2=HCLK

\*5: When 0 wait-cycle mode (FRWTR.RWT = 00, FSYNDN.SD = 00)

Parameter	Symbol	Pin name	Conditions	Frequency* <sup>4</sup>	Value		Unit	Remarks
					Typ* <sup>1</sup>	Max* <sup>2</sup>		
Power supply current	I <sub>CC</sub>	VCC	Normal operation* <sup>5</sup> (built-in high-speed CR)	4MHz	3.3	29	mA	* <sub>3</sub> When all peripheral clocks are ON
					2.8	29		* <sub>3</sub> When all peripheral clocks are OFF
			Normal operation* <sup>5</sup> (sub oscillation)	32kHz	0.51	27	mA	* <sub>3</sub> When all peripheral clocks are ON
					0.50	27		* <sub>3</sub> When all peripheral clocks are OFF
			Normal operation* <sup>5</sup> (built-in low-speed CR)	100kHz	0.54	27	mA	* <sub>3</sub> When all peripheral clocks are ON
					0.52	27		* <sub>3</sub> When all peripheral clocks are OFF

\*1: Ta=+25°C, V<sub>CC</sub>=3.3V

\*2: Tj=+125°C, V<sub>CC</sub>=5.5V

\*3: When all ports are fixed.

\*4: Frequency is a value of HCLK. PCLK0=PCLK1=PCLK2=HCLK/2

\*5: When 0 wait- cycle mode (FRWTR.RWT = 00, FSYNDN.SD = 000)

# MB9B460L Series

Parameter	Symbol	Pin name	Conditions	Frequency* <sup>4</sup>	Value		Unit	Remarks
					Typ* <sup>1</sup>	Max* <sup>2</sup>		
Power supply current	I <sub>CCS</sub>	VCC	SLEEP operation (PLL)	160MHz	28	58	mA	*3 When all peripheral clocks are ON
				144MHz	25	55		
				120MHz	21	50		
				100MHz	18	46		
				80MHz	15	43		
				60MHz	12	39		
				40MHz	8.8	36		
				20MHz	5.6	32		
				8MHz	3.8	30		
				4MHz	3.2	29		
				160MHz	14	44	mA	*3 When all peripheral clocks are OFF
				144MHz	13	43		
				120MHz	11	40		
				100MHz	9.7	38		
				80MHz	8.1	36		
				60MHz	6.7	34		
				40MHz	5.2	32		
				20MHz	3.7	30		
8MHz	2.9	29						
4MHz	2.6	29						

Parameter	Symbol	Pin name	Conditions	Frequency* <sup>5</sup>	Value		Unit	Remarks
					Typ* <sup>1</sup>	Max* <sup>2</sup>		
Power supply current	I <sub>CCS</sub>	VCC	SLEEP operation (PLL)	72MHz	19	47	mA	*3 When all peripheral clocks are ON
				60MHz	16	43		
				48MHz	13	40		
				36MHz	10	37		
				24MHz	7.8	34		
				12MHz	5.2	31		
				8MHz	4.3	30		
				4MHz	3.5	29		
				72MHz	8.8	36		
				60MHz	7.7	35		
				48MHz	6.6	34		
				36MHz	5.5	32		
				24MHz	4.4	31		
				12MHz	3.4	30		
				8MHz	3	29		
				4MHz	2.7	29		

\*1: Ta=+25°C, V<sub>CC</sub>=3.3V

\*2: Tj=+125°C, V<sub>CC</sub>=5.5V

\*3: When all ports are fixed.

\*4: Frequency is a value of HCLK. PCLK0=PCLK1=PCLK2=HCLK/2

\*5: Frequency is a value of HCLK. PCLK0=PCLK1=PCLK2=HCLK



Parameter	Symbol	Pin name	Conditions	Frequency*4	Value		Unit	Remarks
					Typ*1	Max*2		
Power supply current	I <sub>CCS</sub>	VCC	SLEEP operation (built-in high-speed CR)	4MHz	1.3	27	mA	*3 When all peripheral clocks are ON
					0.91	27		*3 When all peripheral clocks are OFF
			SLEEP operation (sub oscillation)	32kHz	0.49	27	mA	*3 When all peripheral clocks are ON
					0.48	27		*3 When all peripheral clocks are OFF
			SLEEP operation (built-in low-speed CR)	100kHz	0.51	27	mA	*3 When all peripheral clocks are ON
					0.49	27		*3 When all peripheral clocks are OFF

\*1: Ta=+25°C, V<sub>CC</sub>=3.3V

\*2: Tj=+125°C, V<sub>CC</sub>=5.5V

\*3: When all ports are fixed.

\*4: Frequency is a value of HCLK. PCLK0=PCLK1=PCLK2=HCLK/2

# MB9B460L Series

Parameter	Symbol	Pin name	Conditions	Frequency	Value		Unit	Remarks
					Typ* <sup>1</sup>	Max* <sup>2</sup>		
Power supply current	I <sub>CCH</sub>	VCC	STOP mode	-	0.25	1.0	mA	*3, *4 Ta=+25°C
					-	11	mA	*3, *4 Ta=+85°C
					-	14	mA	*3, *4 Ta=+105°C
	I <sub>CC1</sub>		TIMER mode (built-in high-speed CR)	4MHz	0.54	1.54	mA	*3, *4 Ta=+25°C
					-	12	mA	*3, *4 Ta=+85°C
					-	15	mA	*3, *4 Ta=+105°C
			TIMER mode (sub oscillation)	32kHz	0.25	1.0	mA	*3, *4 Ta=+25°C
					-	11	mA	*3, *4 Ta=+85°C
					-	14	mA	*3, *4 Ta=+105°C
	TIMER mode (built-in low-speed CR)		100kHz	0.26	1.0	mA	*3, *4 Ta=+25°C	
				-	11	mA	*3, *4 Ta=+85°C	
				-	14	mA	*3, *4 Ta=+105°C	
	I <sub>CCR</sub>		RTC mode (sub oscillation)	32kHz	0.25	1.0	mA	*3, *4 Ta=+25°C
					-	11	mA	*3, *4 Ta=+85°C
					-	14	mA	*3, *4 Ta=+105°C

\*1: V<sub>CC</sub>=3.3V

\*2: V<sub>CC</sub>=5.5V

\*3: When all ports are fixed.

\*4: When LVD is OFF

# MB9B460L Series

Parameter	Symbol	Pin name	Conditions	Frequency	Value		Unit	Remarks
					Typ* <sup>1</sup>	Max* <sup>2</sup>		
Power supply current	I <sub>CCHD</sub>	VCC	Deep standby STOP mode (When RAM is OFF)	-	27	140	μA	*3, *4 Ta=+25°C
					-	590	μA	*3, *4 Ta=+85°C
					-	770	μA	*3, *4 Ta=+105°C
			32		180	μA	*3, *4 Ta=+25°C	
			-		870	μA	*3, *4 Ta=+85°C	
			-		1200	μA	*3, *4 Ta=+105°C	
	I <sub>CCRD</sub>		Deep standby RTC mode (When RAM is OFF)	27	140	μA	*3, *4 Ta=+25°C	
				-	590	μA	*3, *4 Ta=+85°C	
				-	770	μA	*3, *4 Ta=+105°C	
			Deep standby RTC mode (When RAM is ON)	32	180	μA	*3, *4 Ta=+25°C	
				-	870	μA	*3, *4 Ta=+85°C	
				-	1200	μA	*3, *4 Ta=+105°C	
	I <sub>CCVBAT</sub>	VBAT	RTC stop	-	0.015	0.14	μA	*3, *4, *5 Ta=+25°C
					-	4.0	μA	*3, *4, *5 Ta=+85°C
					-	9.4	μA	*3, *4, *5 Ta=+105°C
			RTC operation		1.3	2.4	μA	*3, *4 Ta=+25°C
					-	6.2	μA	*3, *4 Ta=+85°C
					-	12	μA	*3, *4 Ta=+105°C

\*1: V<sub>CC</sub>=3.3V

\*2: V<sub>CC</sub>=5.5V

\*3: When all ports are fixed.

\*4: When LVD is OFF

\*5: When sub oscillation is OFF

# MB9B460L Series

Parameter	Symbol	Pin name	Conditions	Value			Unit	Remarks
				Min	Typ	Max		
Low-voltage detection circuit (LVD) power supply current	I <sub>CC</sub> LVD	VCC	At operation	-	4	7	μA	For occurrence of interrupt
Main flash memory write/erase current	I <sub>CC</sub> FLASH		At Write/Erase	-	13.4	15.9	mA	
Work flash memory write/erase current	I <sub>CC</sub> WFLASH		At Write/Erase	-	11.5	13.6	mA	

## • Peripheral current dissipation

Clock system	Peripheral	Unit	Frequency (MHz)			Unit	Remarks
			40	80	160		
HCLK	GPIO	All ports	0.21	0.43	0.92	mA	
	DMAC	-	0.71	1.43	2.74		
	DSTC	-	0.36	0.72	1.46		
	CAN	1ch.	0.03	0.06	0.11		
PCLK1	Base timer	4ch.	0.18	0.36	0.70	mA	
	Multi-functional timer/PPG	1unit/4ch.	0.57	1.13	2.24		
	Quadrature position/Revolution counter	1unit	0.04	0.08	0.16		
	A/DC	1unit	0.21	0.40	0.79		
PCLK2	Muli-function serial	1ch.	0.33	0.67	-	mA	

# MB9B460L Series

## (2) Pin Characteristics

( $V_{CC} = AV_{CC} = 2.7V$  to  $5.5V$ ,  $V_{SS} = AV_{SS} = 0V$ )

Parameter	Symbol	Pin name	Conditions	Value			Unit	Remarks
				Min	Typ	Max		
"H" level input voltage (hysteresis input)	$V_{IHS}$	CMOS hysteresis input pin, MD0, MD1	-	$V_{CC} \times 0.8$	-	$V_{CC} + 0.3$	V	
		5V tolerant input pin	-	$V_{CC} \times 0.8$	-	$V_{SS} + 5.5$	V	
		Input pin doubled as I <sup>2</sup> C Fm+	-	$V_{CC} \times 0.7$	-	$V_{SS} + 5.5$	V	
"L" level input voltage (hysteresis input)	$V_{ILS}$	CMOS hysteresis input pin, MD0, MD1	-	$V_{SS} - 0.3$	-	$V_{CC} \times 0.2$	V	
		5V tolerant input pin	-	$V_{SS} - 0.3$	-	$V_{CC} \times 0.2$	V	
		Input pin doubled as I <sup>2</sup> C Fm+	-	$V_{SS}$	-	$V_{CC} \times 0.3$	V	
"H" level output voltage	$V_{OH}$	4mA type	$V_{CC} \geq 4.5 V$ , $I_{OH} = - 4mA$	$V_{CC} - 0.5$	-	$V_{CC}$	V	
			$V_{CC} < 4.5 V$ , $I_{OH} = - 2mA$					
		8mA type	$V_{CC} \geq 4.5 V$ , $I_{OH} = - 8mA$	$V_{CC} - 0.5$	-	$V_{CC}$	V	
			$V_{CC} < 4.5 V$ , $I_{OH} = - 4mA$					
		12mA type	$V_{CC} \geq 4.5 V$ , $I_{OH} = - 12mA$	$V_{CC} - 0.5$	-	$V_{CC}$	V	
			$V_{CC} < 4.5 V$ , $I_{OH} = - 8mA$					
		The pin doubled as I <sup>2</sup> C Fm+	$V_{CC} \geq 4.5 V$ , $I_{OH} = - 4mA$	$V_{CC} - 0.5$	-	$V_{CC}$	V	At GPIO
			$V_{CC} < 4.5 V$ , $I_{OH} = - 3mA$					

# MB9B460L Series

Parameter	Symbol	Pin name	Conditions	Value			Unit	Remarks		
				Min	Typ	Max				
"L" level output voltage	$V_{OL}$	4mA type	$V_{CC} \geq 4.5 \text{ V}$ , $I_{OL} = 4\text{mA}$	$V_{SS}$	-	0.4	V			
			$V_{CC} < 4.5 \text{ V}$ , $I_{OL} = 2\text{mA}$							
		8mA type	$V_{CC} \geq 4.5 \text{ V}$ , $I_{OH} = 8\text{mA}$	$V_{SS}$	-	0.4	V			
			$V_{CC} < 4.5 \text{ V}$ , $I_{OH} = 4\text{mA}$							
		12mA type	$V_{CC} \geq 4.5 \text{ V}$ , $I_{OL} = 12\text{mA}$	$V_{SS}$	-	0.4	V			
			$V_{CC} < 4.5 \text{ V}$ , $I_{OL} = 8\text{mA}$							
		The pin doubled as I <sup>2</sup> C Fm+	$V_{CC} \geq 4.5 \text{ V}$ , $I_{OH} = 4\text{mA}$	$V_{SS}$	-	0.4	V	At GPIO		
			$V_{CC} < 4.5 \text{ V}$ , $I_{OH} = 3\text{mA}$							
			$V_{CC} \leq 5.5 \text{ V}$ , $I_{OH} = 20\text{mA}$					At I <sup>2</sup> C Fm+		
		Input leak current	$I_{IL}$	-	-	- 5	-	+ 5	$\mu\text{A}$	
		Pull-up resistor value	$R_{PU}$	Pull-up pin	$V_{CC} \geq 4.5 \text{ V}$	25	50	100	k $\Omega$	
					$V_{CC} < 4.5 \text{ V}$	30	80	200		
Input capacitance	$C_{IN}$	Other than VCC, VBAT, VSS, AVCC, AVSS, AVRH	-	-	5	15	pF			

## 4. AC Characteristics

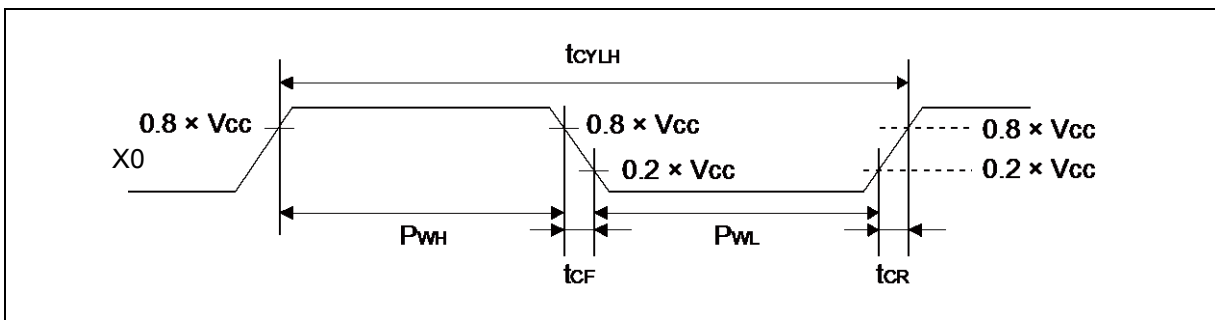
### (1) Main Clock Input Characteristics

( $V_{CC} = 2.7V$  to  $5.5V$ ,  $V_{SS} = 0V$ )

Parameter	Symbol	Pin name	Conditions	Value		Unit	Remarks	
				Min	Max			
Input frequency	$F_{CH}$	X0, X1	$V_{CC} \geq 4.5V$	4	48	MHz	When crystal oscillator is connected	
			$V_{CC} < 4.5V$	4	20			
			$V_{CC} \geq 4.5V$	4	48	MHz		
			$V_{CC} < 4.5V$	4	20			
Input clock cycle	$t_{CYLH}$		$V_{CC} \geq 4.5V$	20.83	250	ns	When using external clock	
			$V_{CC} < 4.5V$	50	250			
Input clock pulse width	-			$P_{WH}/t_{CYLH}$ , $P_{WL}/t_{CYLH}$	45	55	%	When using external clock
Input clock rising time and falling time	$t_{CF}$ , $t_{CR}$			-	-	5	ns	When using external clock
Internal operating clock* <sup>1</sup> frequency	$F_{CC}$	-	-	-	160	MHz	Base clock (HCLK/FCLK)	
	$F_{CP0}$	-	-	-	80	MHz	APB0 bus clock* <sup>2</sup>	
	$F_{CP1}$	-	-	-	160	MHz	APB1 bus clock* <sup>2</sup>	
	$F_{CP2}$	-	-	-	80	MHz	APB2 bus clock* <sup>2</sup>	
Internal operating clock* <sup>1</sup> cycle time	$t_{CYCC}$	-	-	6.25	-	ns	Base clock (HCLK/FCLK)	
	$t_{CYCP0}$	-	-	12.5	-	ns	APB0 bus clock* <sup>2</sup>	
	$t_{CYCP1}$	-	-	6.25	-	ns	APB1 bus clock* <sup>2</sup>	
	$t_{CYCP2}$	-	-	12.5	-	ns	APB2 bus clock* <sup>2</sup>	

\*1: For more information about each internal operating clock, see "Chapter:Clock" in "FM4 Family PERIPHERAL MANUAL".

\*2: For about each APB bus which each peripheral is connected to, see "■ BLOCK DIAGRAM" in this data sheet.

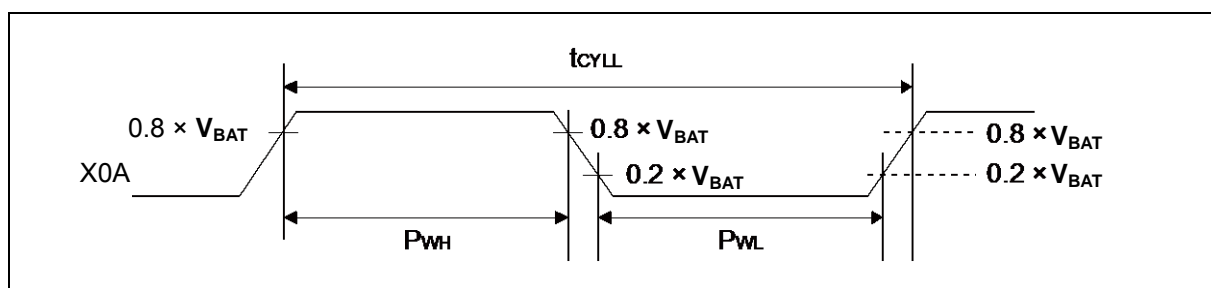


# MB9B460L Series

## (2) Sub Clock Input Characteristics

( $V_{BAT} = 2.7V$  to  $5.5V$ ,  $V_{SS} = 0V$ )

Parameter	Symbol	Pin name	Conditions	Value			Unit	Remarks
				Min	Typ	Max		
Input frequency	1/ $t_{CYLL}$	X0A, X1A	-	-	32.768	-	kHz	When crystal oscillator is connected
			-	32	-	100	kHz	When using external clock
Input clock cycle	$t_{CYLL}$		-	10	-	31.25	$\mu s$	When using external clock
Input clock pulse width	-		$P_{WH}/t_{CYLL}$ , $P_{WL}/t_{CYLL}$	45	-	55	%	When using external clock



## (3) Built-in CR Oscillation Characteristics

- Built-in High-speed CR

( $V_{CC} = 2.7V$  to  $5.5V$ ,  $V_{SS} = 0V$ )

Parameter	Symbol	Conditions	Value			Unit	Remarks
			Min	Typ	Max		
Clock frequency	$F_{CRH}$	$T_a = -20^\circ C$ to $+105^\circ C$	3.92	4	4.08	MHz	When trimming*
		$T_a = -40^\circ C$ to $+125^\circ C$	3.88	4	4.12		
		$T_a = -40^\circ C$ to $+125^\circ C$	3	4	5		When not trimming

\*: In the case of using the values in CR trimming area of Flash memory at shipment for frequency/temperature trimming.

- Built-in Low-speed CR

( $V_{CC} = 2.7V$  to  $5.5V$ ,  $V_{SS} = 0V$ )

Parameter	Symbol	Condition	Value			Unit	Remarks
			Min	Typ	Max		
Clock frequency	$F_{CRL}$	-	50	100	150	kHz	



## (4-1) Operating Conditions of Main PLL (In the case of using main clock for input clock of PLL)

(V<sub>CC</sub> = 2.7V to 5.5V, V<sub>SS</sub> = 0V)

Parameter	Symbol	Value			Unit	Remarks
		Min	Typ	Max		
PLL oscillation stabilization wait time* <sup>1</sup> (LOCK UP time)	t <sub>LOCK</sub>	200	-	-	μs	
PLL input clock frequency	F <sub>PLLI</sub>	4	-	16	MHz	
PLL multiplication rate	-	13	-	80	multiplier	
PLL macro oscillation clock frequency	F <sub>PLLO</sub>	200	-	320	MHz	
Main PLL clock frequency* <sup>2</sup>	F <sub>CLKPLL</sub>	-	-	160	MHz	

\*1 : Time from when the PLL starts operating until the oscillation stabilizes.

\*2: For more information about Main PLL clock (CLKPLL), see "Chapter: Clock" in "FM4 Family PERIPHERAL MANUAL".

## (4-2) Operating Conditions of Main PLL (In the case of using built-in high-speed CR clock for input clock of main PLL)

(V<sub>CC</sub> = 2.7V to 5.5V, V<sub>SS</sub> = 0V)

Parameter	Symbol	Value			Unit	Remarks
		Min	Typ	Max		
PLL oscillation stabilization wait time* <sup>1</sup> (LOCK UP time)	t <sub>LOCK</sub>	200	-	-	μs	
PLL input clock frequency	F <sub>PLLI</sub>	3.8	4	4.2	MHz	
PLL multiplication rate	-	50	-	75	multiplier	
PLL macro oscillation clock frequency	F <sub>PLLO</sub>	190	-	320	MHz	
Main PLL clock frequency* <sup>2</sup>	F <sub>CLKPLL</sub>	-	-	160	MHz	

\*1: Time from when the PLL starts operating until the oscillation stabilizes.

\*2: For more information about Main PLL clock (CLKPLL), see "Chapter: Clock" in "FM4 Family PERIPHERAL MANUAL".

Note: Make sure to input to the main PLL source clock, the high-speed CR clock (CLKHC) that the frequency and temperature has been trimmed.

## (5) Reset Input Characteristics

(V<sub>CC</sub> = 2.7V to 5.5V, V<sub>SS</sub> = 0V)

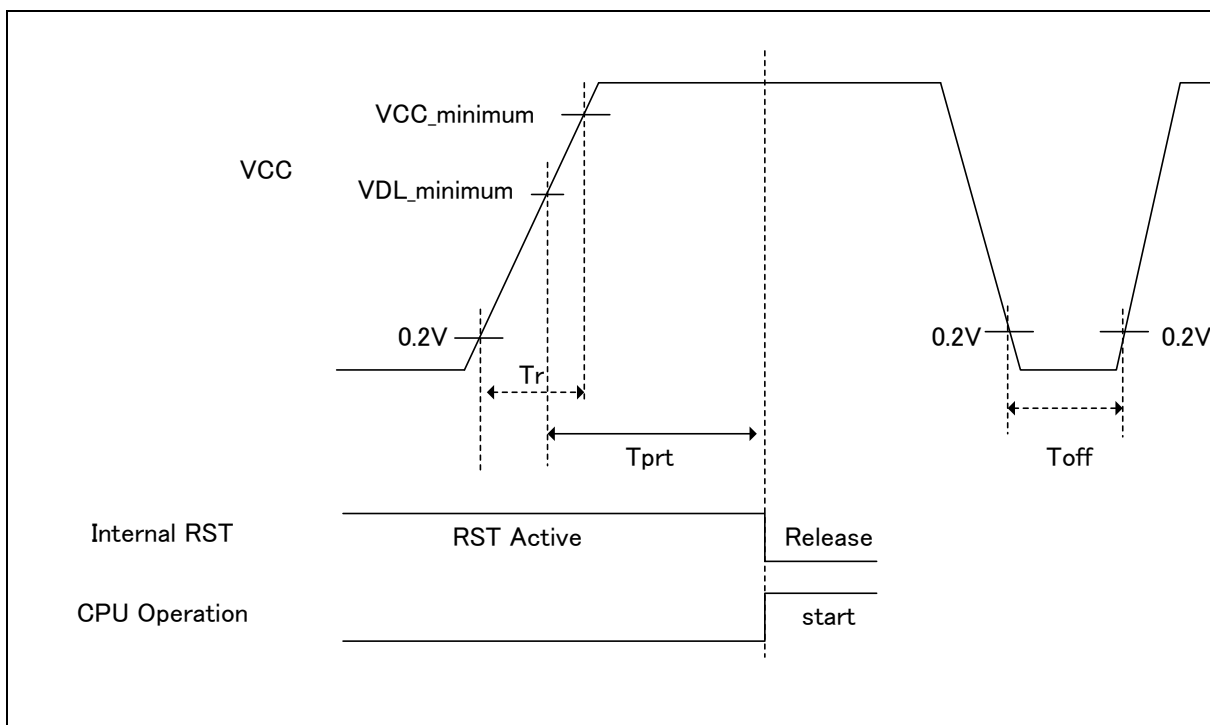
Parameter	Symbol	Pin name	Condition	Value		Unit	Remarks
				Min	Max		
Reset input time	t <sub>INITX</sub>	INITX	-	500	-	ns	

# MB9B460L Series

## (6) Power-on Reset Timing

( $V_{CC} = 2.7V$  to  $5.5V$ ,  $V_{SS} = 0V$ )

Parameter	Symbol	Pin name	Value		Unit	Remarks
			Min	Max		
Power supply rising time	Tr	VCC	0	-	ms	
Power supply shut down time	Toff		1	-	ms	
Time until releasing Power-on reset	Tprt		0.33	0.60	ms	



### Glossary

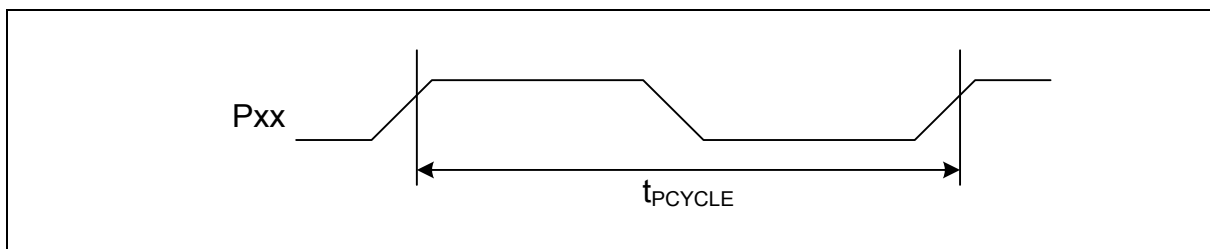
- VCC\_minimum : Minimum  $V_{CC}$  of recommended operating conditions.
- VDL\_minimum : Minimum detection voltage of Low-Voltage detection reset.  
See "8. Low-Voltage Detection Characteristics".

## (7) GPIO Output Characteristics

( $V_{CC} = 2.7V$  to  $5.5V$ ,  $V_{SS} = 0V$ )

Parameter	Symbol	Pin name	Conditions	Value		Unit
				Min	Max	
Output frequency	$t_{PCYCLE}$	Pxx*	$V_{CC} \geq 4.5 V$	-	50	MHz
			$V_{CC} < 4.5 V$	-	32	MHz

\*: GPIO is a target.

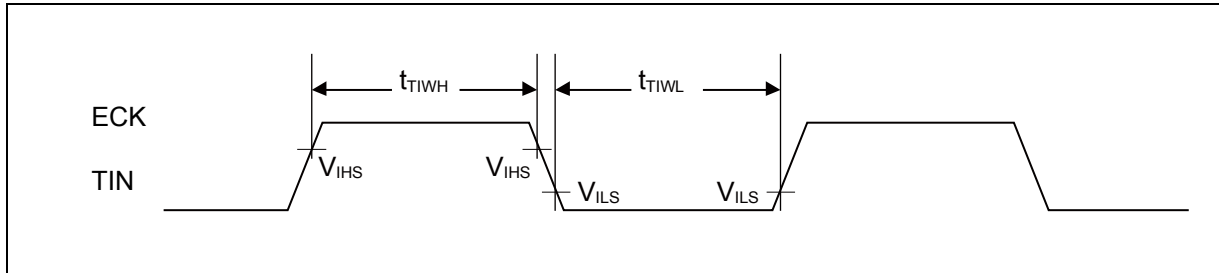


## (8) Base Timer Input Timing

- Timer input timing

( $V_{CC} = 2.7V$  to  $5.5V$ ,  $V_{SS} = 0V$ )

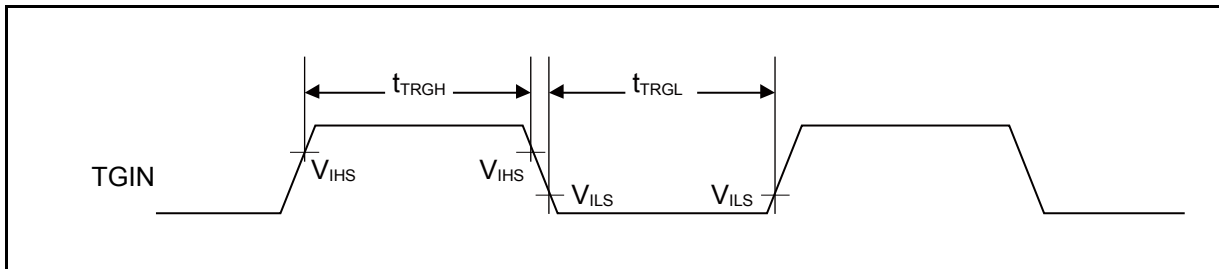
Parameter	Symbol	Pin name	Conditions	Value		Unit	Remarks
				Min	Max		
Input pulse width	$t_{TIWH}$ , $t_{TIWL}$	TIOAn/TIOBn (when using as ECK, TIN)	-	$2t_{CYCP}$	-	ns	



- Trigger input timing

( $V_{CC} = 2.7V$  to  $5.5V$ ,  $V_{SS} = 0V$ )

Parameter	Symbol	Pin name	Conditions	Value		Unit	Remarks
				Min	Max		
Input pulse width	$t_{TRGH}$ , $t_{TRGL}$	TIOAn/TIOBn (when using as TGIN)	-	$2t_{CYCP}$	-	ns	



Note:  $t_{CYCP}$  indicates the APB bus clock cycle time.

About the APB bus number which the Base Timer is connected to, see "■ BLOCK DIAGRAM" in this data sheet.

# MB9B460L Series

## (9) UART Timing

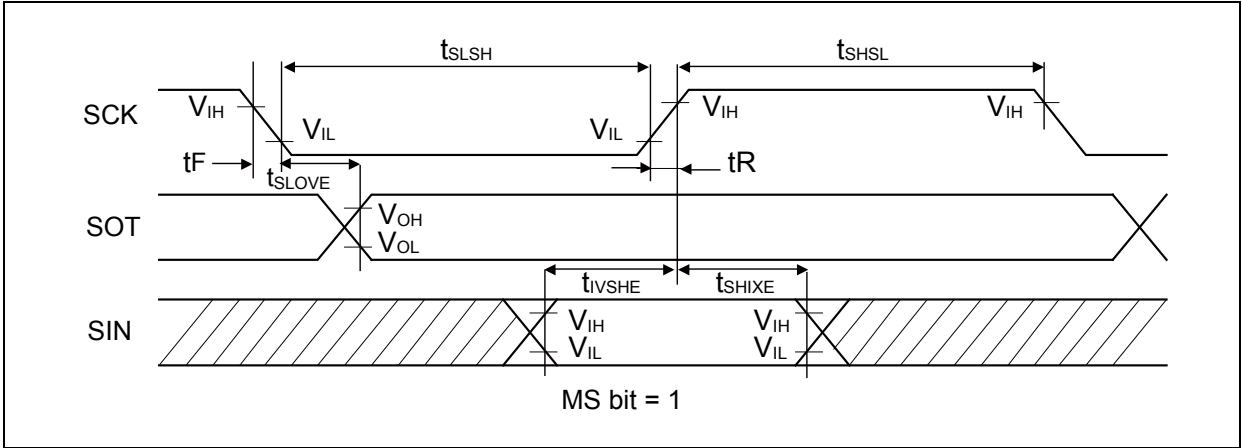
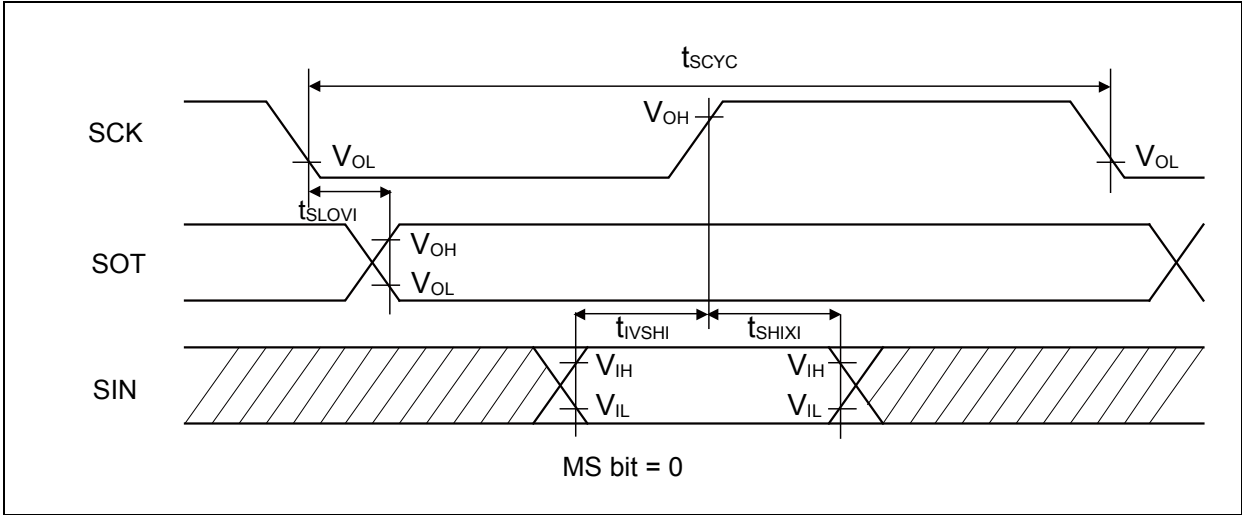
- Synchronous serial (SPI = 0, SCINV = 0)

( $V_{CC} = 2.7V$  to  $5.5V$ ,  $V_{SS} = 0V$ )

Parameter	Symbol	Pin name	Conditions	$V_{CC} < 4.5V$		$V_{CC} \geq 4.5V$		Unit
				Min	Max	Min	Max	
Serial clock cycle time	$t_{SCYC}$	SCK <sub>X</sub>	Internal shift clock operation	$4t_{CYCP}$	-	$4t_{CYCP}$	-	ns
SCK↓→SOT delay time	$t_{SLOVI}$	SCK <sub>X</sub> , SOT <sub>X</sub>		- 30	+ 30	- 20	+ 20	ns
SIN→SCK↑ setup time	$t_{VSHI}$	SCK <sub>X</sub> , SIN <sub>X</sub>		50	-	30	-	ns
SCK↑→SIN hold time	$t_{SHIXI}$	SCK <sub>X</sub> , SIN <sub>X</sub>		0	-	0	-	ns
Serial clock "L" pulse width	$t_{SLSH}$	SCK <sub>X</sub>	External shift clock operation	$2t_{CYCP} - 10$	-	$2t_{CYCP} - 10$	-	ns
Serial clock "H" pulse width	$t_{SHSL}$	SCK <sub>X</sub>		$t_{CYCP} + 10$	-	$t_{CYCP} + 10$	-	ns
SCK↓→SOT delay time	$t_{SLOVE}$	SCK <sub>X</sub> , SOT <sub>X</sub>		-	50	-	30	ns
SIN→SCK↑ setup time	$t_{VSHI}$	SCK <sub>X</sub> , SIN <sub>X</sub>		10	-	10	-	ns
SCK↑→SIN hold time	$t_{SHIXE}$	SCK <sub>X</sub> , SIN <sub>X</sub>		20	-	20	-	ns
SCK falling time	tF	SCK <sub>X</sub>		-	5	-	5	ns
SCK rising time	tR	SCK <sub>X</sub>		-	5	-	5	ns

Notes: • The above characteristics apply to CLK synchronous mode.

- $t_{CYCP}$  indicates the APB bus clock cycle time.  
About the APB bus number which UART is connected to, see "■BLOCK DIAGRAM" in this data sheet.
- These characteristics only guarantee the same relocate port number.  
For example, the combination of SCLK<sub>x\_0</sub> and SOT<sub>x\_1</sub> is not guaranteed.
- When the external load capacitance  $C_L = 30pF$ .



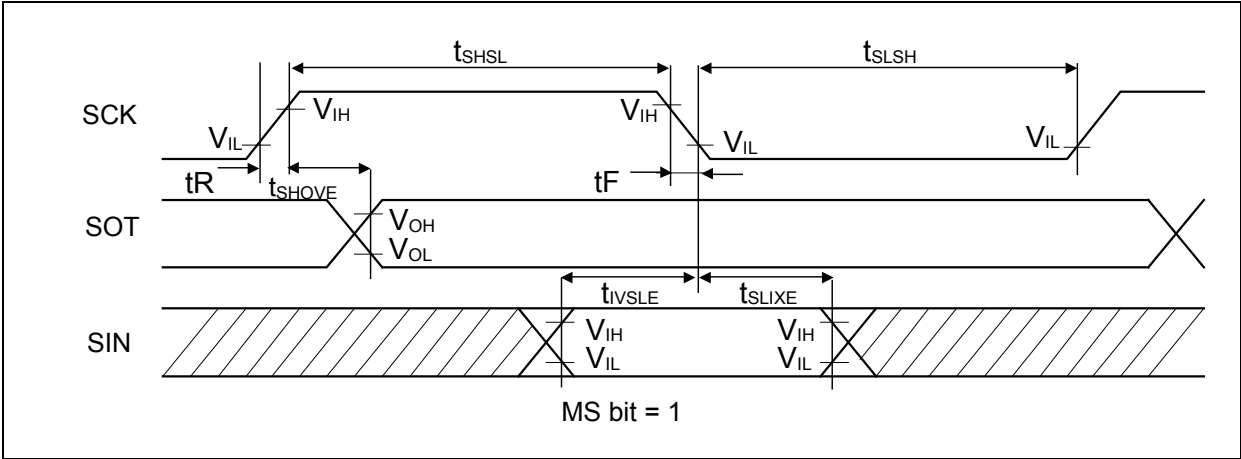
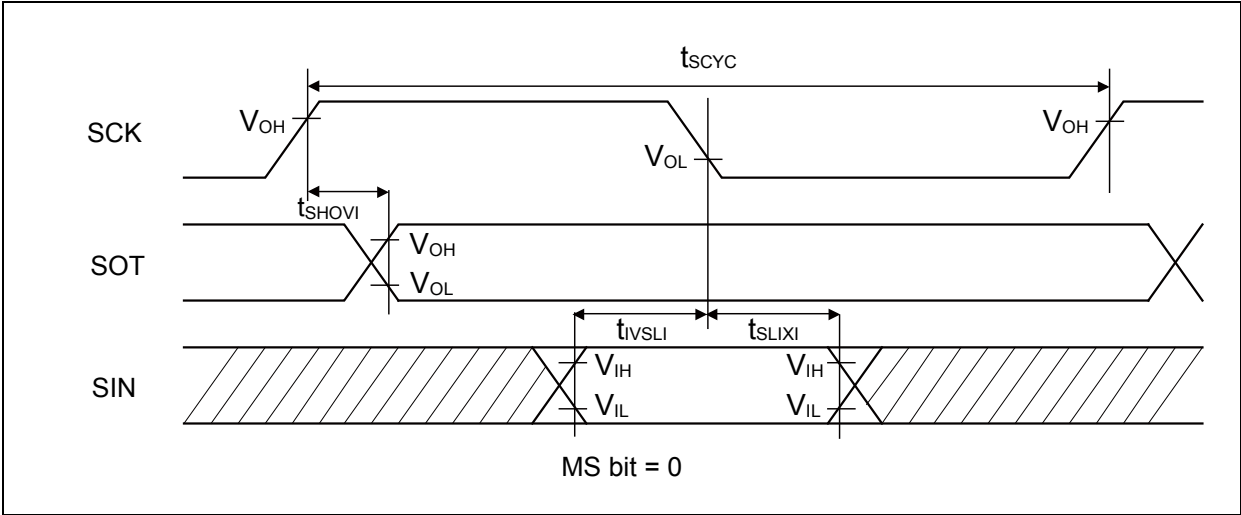
# MB9B460L Series

- Synchronous serial (SPI = 0, SCINV = 1)

( $V_{CC} = 2.7V$  to  $5.5V$ ,  $V_{SS} = 0V$ )

Parameter	Symbol	Pin name	Conditions	$V_{CC} < 4.5V$		$V_{CC} \geq 4.5V$		Unit
				Min	Max	Min	Max	
Serial clock cycle time	$t_{SCYC}$	SCK <sub>X</sub>	Internal shift clock operation	$4t_{CYCP}$	-	$4t_{CYCP}$	-	ns
SCK $\uparrow$ →SOT delay time	$t_{SHOVI}$	SCK <sub>X</sub> , SOT <sub>X</sub>		- 30	+ 30	- 20	+ 20	ns
SIN→SCK $\downarrow$ setup time	$t_{IVSLI}$	SCK <sub>X</sub> , SIN <sub>X</sub>		50	-	30	-	ns
SCK $\downarrow$ →SIN hold time	$t_{SLIXI}$	SCK <sub>X</sub> , SIN <sub>X</sub>		0	-	0	-	ns
Serial clock "L" pulse width	$t_{SLSH}$	SCK <sub>X</sub>	External shift clock operation	$2t_{CYCP} - 10$	-	$2t_{CYCP} - 10$	-	ns
Serial clock "H" pulse width	$t_{SHSL}$	SCK <sub>X</sub>		$t_{CYCP} + 10$	-	$t_{CYCP} + 10$	-	ns
SCK $\uparrow$ →SOT delay time	$t_{SHOVE}$	SCK <sub>X</sub> , SOT <sub>X</sub>		-	50	-	30	ns
SIN→SCK $\downarrow$ setup time	$t_{IVSLE}$	SCK <sub>X</sub> , SIN <sub>X</sub>		10	-	10	-	ns
SCK $\downarrow$ →SIN hold time	$t_{SLIXE}$	SCK <sub>X</sub> , SIN <sub>X</sub>		20	-	20	-	ns
SCK falling time	$t_F$	SCK <sub>X</sub>		-	5	-	5	ns
SCK rising time	$t_R$	SCK <sub>X</sub>		-	5	-	5	ns

- Notes:
- The above characteristics apply to CLK synchronous mode.
  - $t_{CYCP}$  indicates the APB bus clock cycle time.  
About the APB bus number which UART is connected to, see "■BLOCK DIAGRAM" in this data sheet.
  - These characteristics only guarantee the same relocate port number.  
For example, the combination of SCLK<sub>X\_0</sub> and SOT<sub>X\_1</sub> is not guaranteed.
  - When the external load capacitance  $C_L = 30pF$ .



# MB9B460L Series

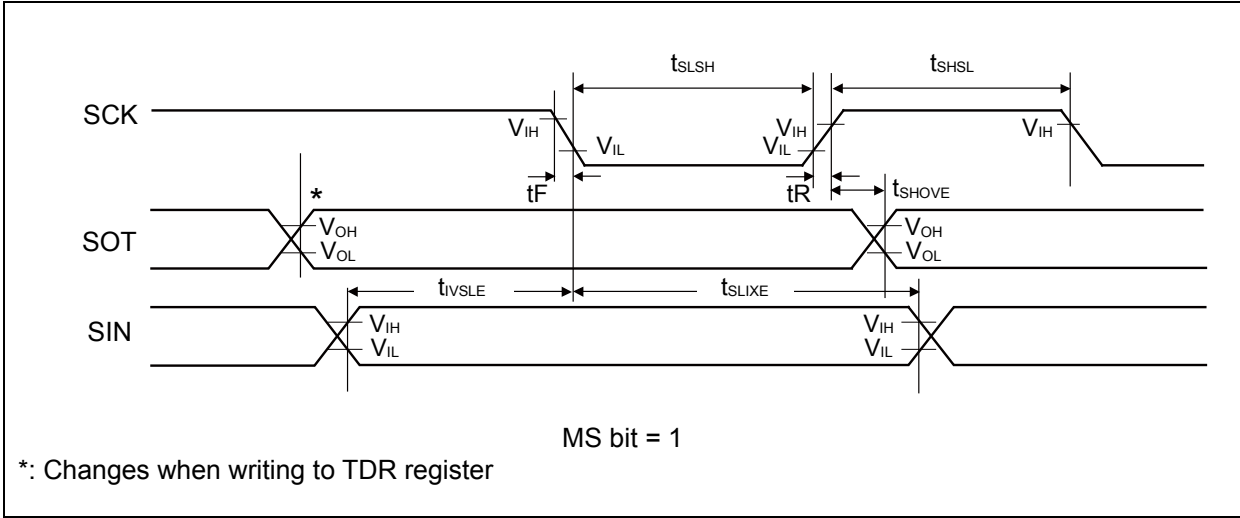
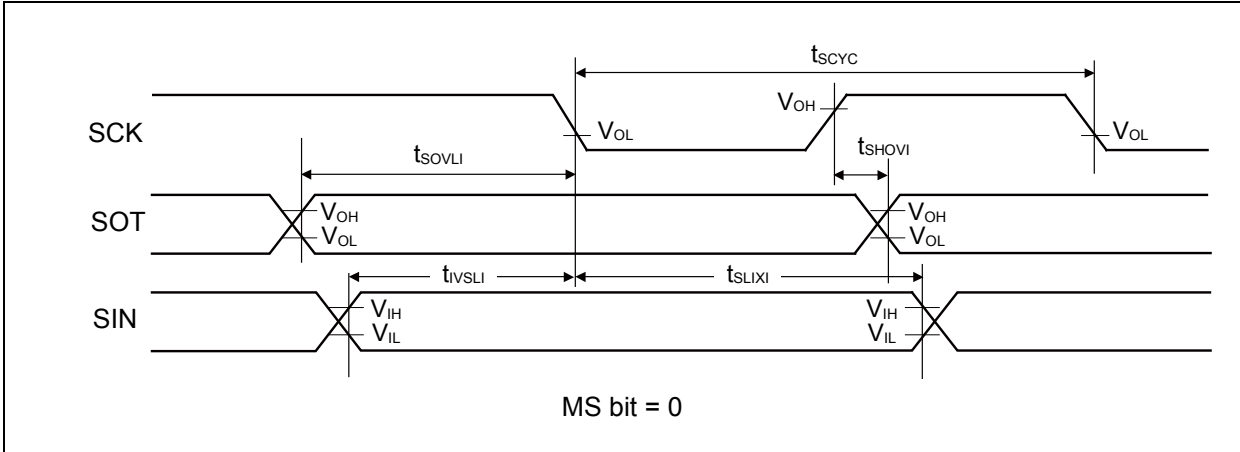
- Synchronous serial (SPI = 1, SCINV = 0)

( $V_{CC} = 2.7V$  to  $5.5V$ ,  $V_{SS} = 0V$ )

Parameter	Symbol	Pin name	Conditions	$V_{CC} < 4.5V$		$V_{CC} \geq 4.5V$		Unit
				Min	Max	Min	Max	
Serial clock cycle time	$t_{SCYC}$	SCK <sub>X</sub>	Internal shift clock operation	$4t_{CYCP}$	-	$4t_{CYCP}$	-	ns
SCK $\uparrow$ →SOT delay time	$t_{SHOVI}$	SCK <sub>X</sub> , SOT <sub>X</sub>		- 30	+ 30	- 20	+ 20	ns
SIN→SCK $\downarrow$ setup time	$t_{IVSLI}$	SCK <sub>X</sub> , SIN <sub>X</sub>		50	-	30	-	ns
SCK $\downarrow$ →SIN hold time	$t_{SLIXI}$	SCK <sub>X</sub> , SIN <sub>X</sub>		0	-	0	-	ns
SOT→SCK $\downarrow$ delay time	$t_{SOVLI}$	SCK <sub>X</sub> , SOT <sub>X</sub>		$2t_{CYCP} - 30$	-	$2t_{CYCP} - 30$	-	ns
Serial clock "L" pulse width	$t_{SLSH}$	SCK <sub>X</sub>	External shift clock operation	$2t_{CYCP} - 10$	-	$2t_{CYCP} - 10$	-	ns
Serial clock "H" pulse width	$t_{SHSL}$	SCK <sub>X</sub>		$t_{CYCP} + 10$	-	$t_{CYCP} + 10$	-	ns
SCK $\uparrow$ →SOT delay time	$t_{SHOVE}$	SCK <sub>X</sub> , SOT <sub>X</sub>		-	50	-	30	ns
SIN→SCK $\downarrow$ setup time	$t_{IVSLE}$	SCK <sub>X</sub> , SIN <sub>X</sub>		10	-	10	-	ns
SCK $\downarrow$ →SIN hold time	$t_{SLIXE}$	SCK <sub>X</sub> , SIN <sub>X</sub>		20	-	20	-	ns
SCK falling time	$t_F$	SCK <sub>X</sub>		-	5	-	5	ns
SCK rising time	$t_R$	SCK <sub>X</sub>		-	5	-	5	ns

- Notes:
- The above characteristics apply to CLK synchronous mode.
  - $t_{CYCP}$  indicates the APB bus clock cycle time.  
About the APB bus number which UART is connected to, see "■BLOCK DIAGRAM" in this data sheet.
  - These characteristics only guarantee the same relocate port number.  
For example, the combination of SCLK<sub>X\_0</sub> and SOT<sub>X\_1</sub> is not guaranteed.
  - When the external load capacitance  $C_L = 30pF$ .





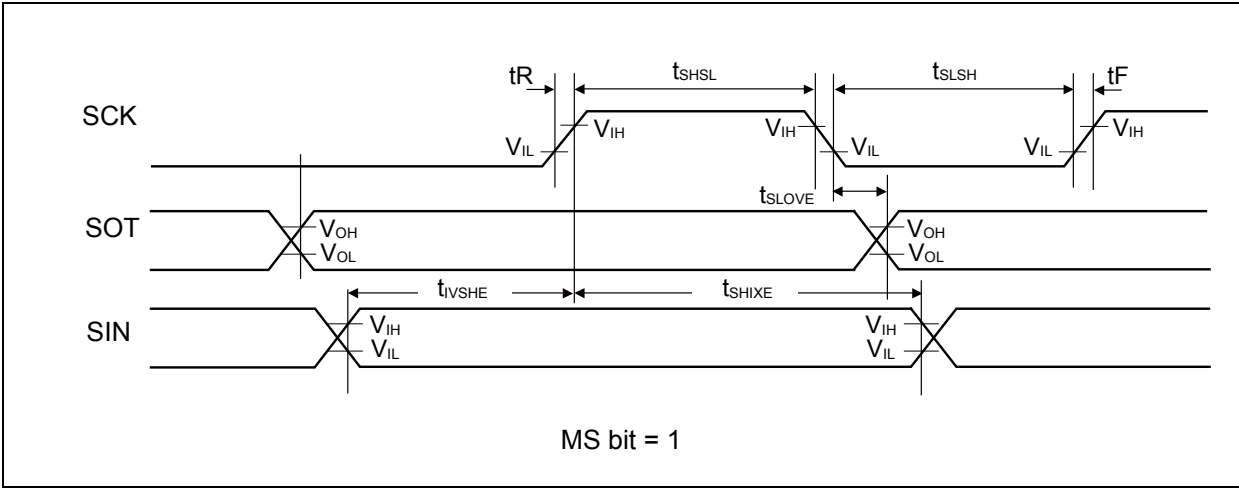
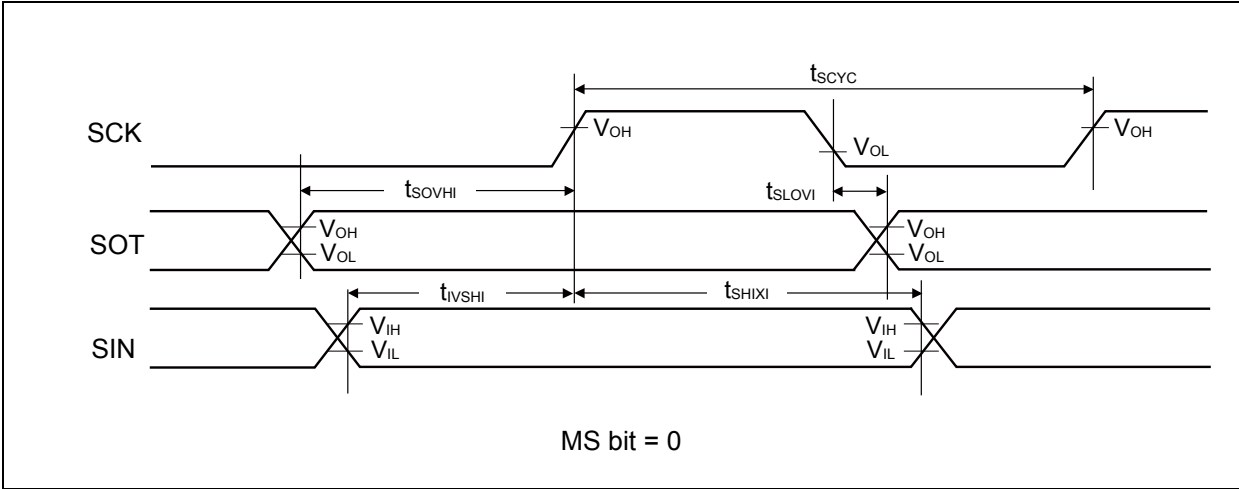
# MB9B460L Series

- Synchronous serial (SPI = 1, SCINV = 1)

( $V_{CC} = 2.7V$  to  $5.5V$ ,  $V_{SS} = 0V$ )

Parameter	Symbol	Pin name	Conditions	$V_{CC} < 4.5V$		$V_{CC} \geq 4.5V$		Unit
				Min	Max	Min	Max	
Serial clock cycle time	$t_{SCYC}$	SCK <sub>X</sub>	Internal shift clock operation	$4t_{CYCP}$	-	$4t_{CYCP}$	-	ns
SCK↓→SOT delay time	$t_{SLOVI}$	SCK <sub>X</sub> , SOT <sub>X</sub>		- 30	+ 30	- 20	+ 20	ns
SIN→SCK↑ setup time	$t_{IVSHI}$	SCK <sub>X</sub> , SIN <sub>X</sub>		50	-	30	-	ns
SCK↑→SIN hold time	$t_{SHIXI}$	SCK <sub>X</sub> , SIN <sub>X</sub>		0	-	0	-	ns
SOT→SCK↑ delay time	$t_{SOVHI}$	SCK <sub>X</sub> , SOT <sub>X</sub>		$2t_{CYCP} - 30$	-	$2t_{CYCP} - 30$	-	ns
Serial clock "L" pulse width	$t_{SLSH}$	SCK <sub>X</sub>	External shift clock operation	$2t_{CYCP} - 10$	-	$2t_{CYCP} - 10$	-	ns
Serial clock "H" pulse width	$t_{SHSL}$	SCK <sub>X</sub>		$t_{CYCP} + 10$	-	$t_{CYCP} + 10$	-	ns
SCK↓→SOT delay time	$t_{SLOVE}$	SCK <sub>X</sub> , SOT <sub>X</sub>		-	50	-	30	ns
SIN→SCK↑ setup time	$t_{IVSHE}$	SCK <sub>X</sub> , SIN <sub>X</sub>		10	-	10	-	ns
SCK↑→SIN hold time	$t_{SHIXE}$	SCK <sub>X</sub> , SIN <sub>X</sub>		20	-	20	-	ns
SCK falling time	$t_F$	SCK <sub>X</sub>		-	5	-	5	ns
SCK rising time	$t_R$	SCK <sub>X</sub>		-	5	-	5	ns

- Notes:
- The above characteristics apply to CLK synchronous mode.
  - $t_{CYCP}$  indicates the APB bus clock cycle time.  
About the APB bus number which UART is connected to, see "■BLOCK DIAGRAM" in this data sheet.
  - These characteristics only guarantee the same relocate port number.  
For example, the combination of SCLK<sub>X\_0</sub> and SOT<sub>X\_1</sub> is not guaranteed.
  - When the external load capacitance  $C_L = 30pF$ .



# MB9B460L Series

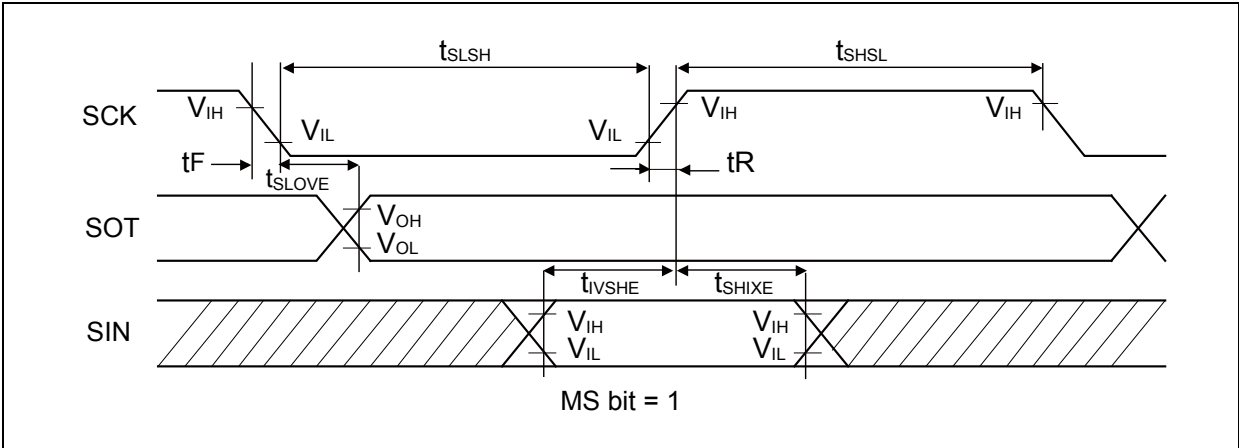
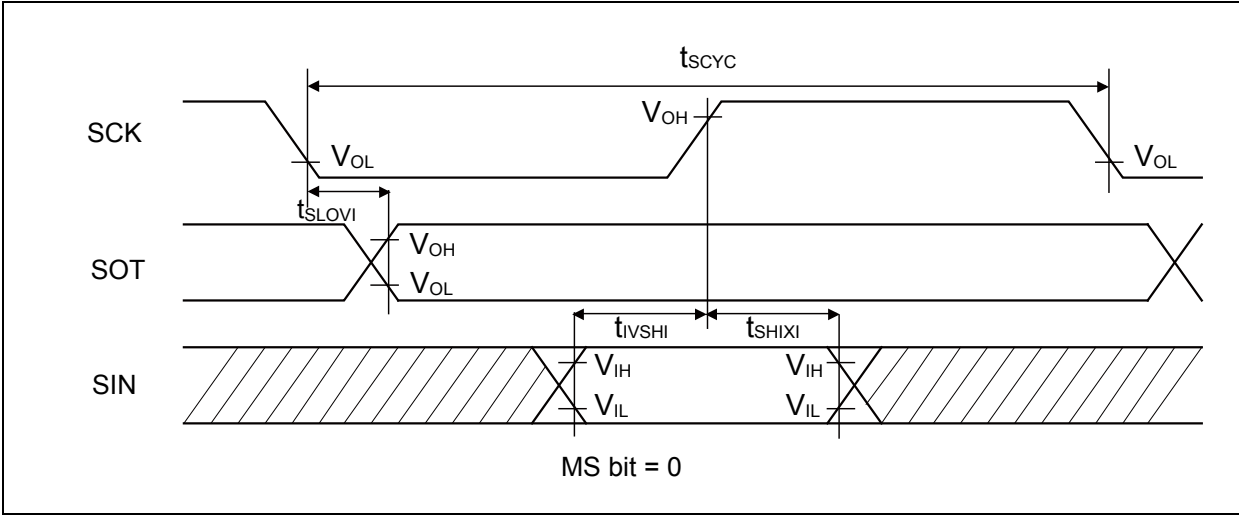
- High-speed synchronous serial (SPI = 0, SCINV = 0)

( $V_{CC} = 2.7V$  to  $5.5V$ ,  $V_{SS} = 0V$ )

Parameter	Symbol	Pin name	Conditions	$V_{CC} < 4.5V$		$V_{CC} \geq 4.5V$		Unit
				Min	Max	Min	Max	
Serial clock cycle time	$t_{SCYC}$	SCK <sub>x</sub>	Internal shift clock operation	$4t_{CYCP}$	-	$4t_{CYCP}$	-	ns
SCK↓→SOT delay time	$t_{SLOVI}$	SCK <sub>x</sub> , SOT <sub>x</sub>		- 10	+ 10	- 10	+ 10	ns
SIN→SCK↑ setup time	$t_{IVSHI}$	SCK <sub>x</sub> , SIN <sub>x</sub>		14	-	12.5	-	ns
				12.5*				
SCK↑→SIN hold time	$t_{SHIXI}$	SCK <sub>x</sub> , SIN <sub>x</sub>	5	-	5	-	ns	
Serial clock "L" pulse width	$t_{SLSH}$	SCK <sub>x</sub>	External shift clock operation	$2t_{CYCP}$ - 5	-	$2t_{CYCP}$ - 5	-	ns
Serial clock "H" pulse width	$t_{SHSL}$	SCK <sub>x</sub>		$t_{CYCP}$ + 10	-	$t_{CYCP}$ + 10	-	ns
SCK↓→SOT delay time	$t_{SLOVE}$	SCK <sub>x</sub> , SOT <sub>x</sub>		-	15	-	15	ns
SIN→SCK↑ setup time	$t_{IVSHE}$	SCK <sub>x</sub> , SIN <sub>x</sub>		5	-	5	-	ns
SCK↑→SIN hold time	$t_{SHIXE}$	SCK <sub>x</sub> , SIN <sub>x</sub>		5	-	5	-	ns
SCK falling time	tF	SCK <sub>x</sub>		-	5	-	5	ns
SCK rising time	tR	SCK <sub>x</sub>		-	5	-	5	ns

Notes: • The above characteristics apply to CLK synchronous mode.

- $t_{CYCP}$  indicates the APB bus clock cycle time.  
About the APB bus number which UART is connected to, see "■BLOCK DIAGRAM" in this data sheet.
- These characteristics only guarantee the following pins.
  - No chip select : SIN0\_1, SOT0\_1, SCK0\_1
  - Chip select : SIN6\_0, SOT6\_0, SCK6\_0, SCS6\_0
- When the external load capacitance  $C_L = 30pF$ . (For \*, when  $C_L = 10pF$ )



# MB9B460L Series

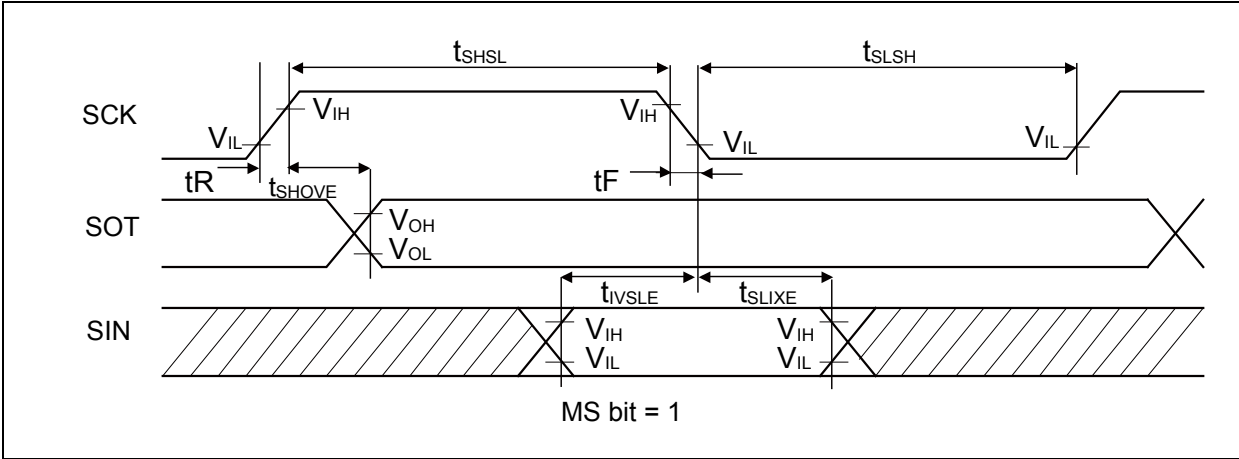
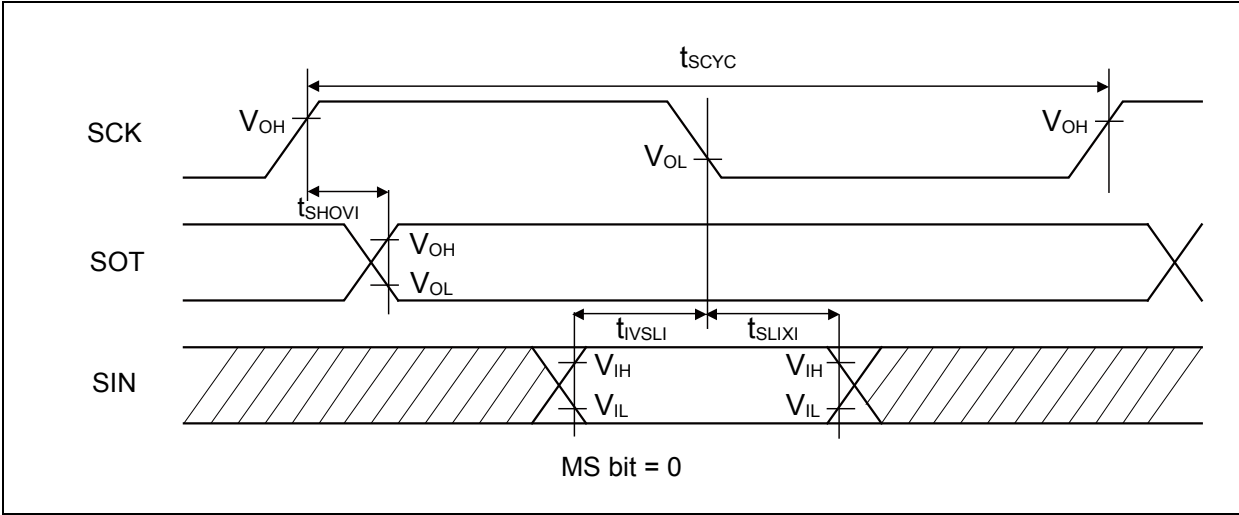
- High-speed synchronous serial (SPI = 0, SCINV = 1)

( $V_{CC} = 2.7V$  to  $5.5V$ ,  $V_{SS} = 0V$ )

Parameter	Symbol	Pin name	Conditions	$V_{CC} < 4.5V$		$V_{CC} \geq 4.5V$		Unit
				Min	Max	Min	Max	
Serial clock cycle time	$t_{SCYC}$	SCK <sub>x</sub>	Internal shift clock operation	$4t_{CYCP}$	-	$4t_{CYCP}$	-	ns
SCK ↑ → SOT delay time	$t_{SHOVI}$	SCK <sub>x</sub> , SOT <sub>x</sub>		- 10	+ 10	- 10	+ 10	ns
SIN → SCK ↓ setup time	$t_{IVSLI}$	SCK <sub>x</sub> , SIN <sub>x</sub>		14	-	12.5	-	ns
				12.5*				
SCK ↓ → SIN hold time	$t_{SLIXI}$	SCK <sub>x</sub> , SIN <sub>x</sub>	5	-	5	-	ns	
Serial clock "L" pulse width	$t_{SLSH}$	SCK <sub>x</sub>	External shift clock operation	$2t_{CYCP}$ - 5	-	$2t_{CYCP}$ - 5	-	ns
Serial clock "H" pulse width	$t_{SHSL}$	SCK <sub>x</sub>		$t_{CYCP}$ + 10	-	$t_{CYCP}$ + 10	-	ns
SCK ↑ → SOT delay time	$t_{SHOVE}$	SCK <sub>x</sub> , SOT <sub>x</sub>		-	15	-	15	ns
SIN → SCK ↓ setup time	$t_{IVSLE}$	SCK <sub>x</sub> , SIN <sub>x</sub>		5	-	5	-	ns
SCK ↓ → SIN hold time	$t_{SLIXE}$	SCK <sub>x</sub> , SIN <sub>x</sub>		5	-	5	-	ns
SCK falling time	tF	SCK <sub>x</sub>		-	5	-	5	ns
SCK rising time	tR	SCK <sub>x</sub>		-	5	-	5	ns

Notes: • The above characteristics apply to CLK synchronous mode.

- $t_{CYCP}$  indicates the APB bus clock cycle time.  
About the APB bus number which UART is connected to, see "■BLOCK DIAGRAM" in this data sheet.
- These characteristics only guarantee the following pins.
  - No chip select : SIN0\_1, SOT0\_1, SCK0\_1
  - Chip select : SIN6\_0, SOT6\_0, SCK6\_0, SCS6\_0
- When the external load capacitance  $C_L = 30pF$ . (For \*, when  $C_L = 10pF$ )



# MB9B460L Series

- High-speed synchronous serial (SPI = 1, SCINV = 0)

( $V_{CC} = 2.7V$  to  $5.5V$ ,  $V_{SS} = 0V$ )

Parameter	Symbol	Pin name	Conditions	$V_{CC} < 4.5V$		$V_{CC} \geq 4.5V$		Unit
				Min	Max	Min	Max	
Serial clock cycle time	$t_{SCYC}$	SCK <sub>X</sub>	Internal shift clock operation	$4t_{CYCP}$	-	$4t_{CYCP}$	-	ns
SCK $\uparrow$ →SOT delay time	$t_{SHOVI}$	SCK <sub>X</sub> , SOT <sub>X</sub>		- 10	+ 10	- 10	+ 10	ns
SIN→SCK $\downarrow$ setup time	$t_{IVSLI}$	SCK <sub>X</sub> , SIN <sub>X</sub>		14	-	12.5	-	ns
				12.5*				
SCK $\downarrow$ →SIN hold time	$t_{SLIXI}$	SCK <sub>X</sub> , SIN <sub>X</sub>		5	-	5	-	ns
SOT→SCK $\downarrow$ delay time	$t_{SOVLI}$	SCK <sub>X</sub> , SOT <sub>X</sub>		$2t_{CYCP}$ - 10	-	$2t_{CYCP}$ - 10	-	ns
Serial clock "L" pulse width	$t_{SLSH}$	SCK <sub>X</sub>	External shift clock operation	$2t_{CYCP}$ - 5	-	$2t_{CYCP}$ - 5	-	ns
Serial clock "H" pulse width	$t_{SHSL}$	SCK <sub>X</sub>		$t_{CYCP}$ + 10	-	$t_{CYCP}$ + 10	-	ns
SCK $\uparrow$ →SOT delay time	$t_{SHOVE}$	SCK <sub>X</sub> , SOT <sub>X</sub>		-	15	-	15	ns
SIN→SCK $\downarrow$ setup time	$t_{IVSLE}$	SCK <sub>X</sub> , SIN <sub>X</sub>		5	-	5	-	ns
SCK $\downarrow$ →SIN hold time	$t_{SLIXE}$	SCK <sub>X</sub> , SIN <sub>X</sub>		5	-	5	-	ns
SCK falling time	tF	SCK <sub>X</sub>		-	5	-	5	ns
SCK rising time	tR	SCK <sub>X</sub>		-	5	-	5	ns

Notes: • The above characteristics apply to CLK synchronous mode.

- $t_{CYCP}$  indicates the APB bus clock cycle time.

About the APB bus number which UART is connected to, see "■BLOCK DIAGRAM" in this data sheet.

- These characteristics only guarantee the following pins.

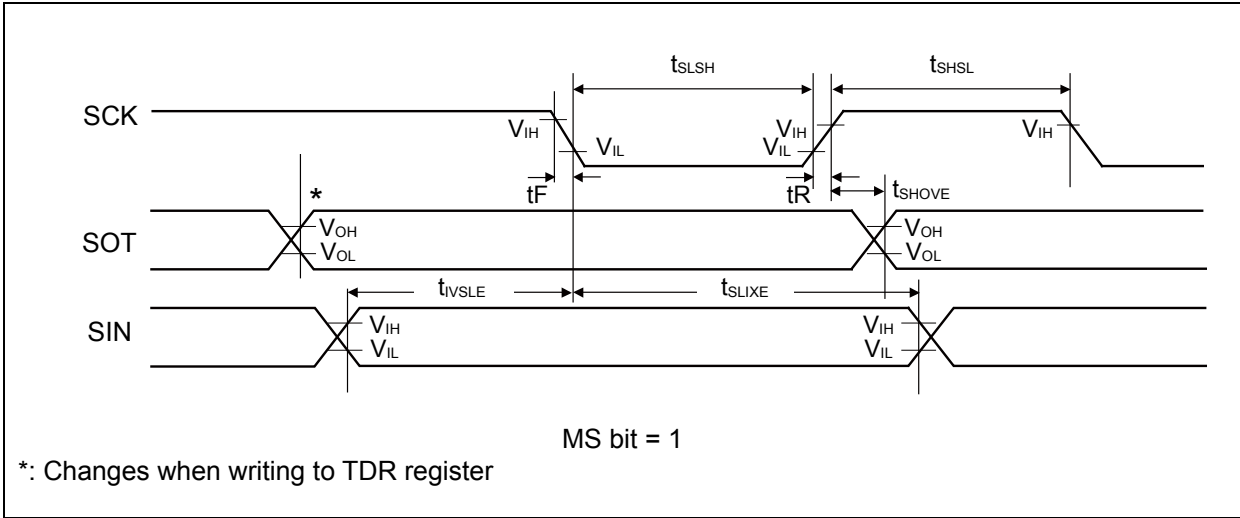
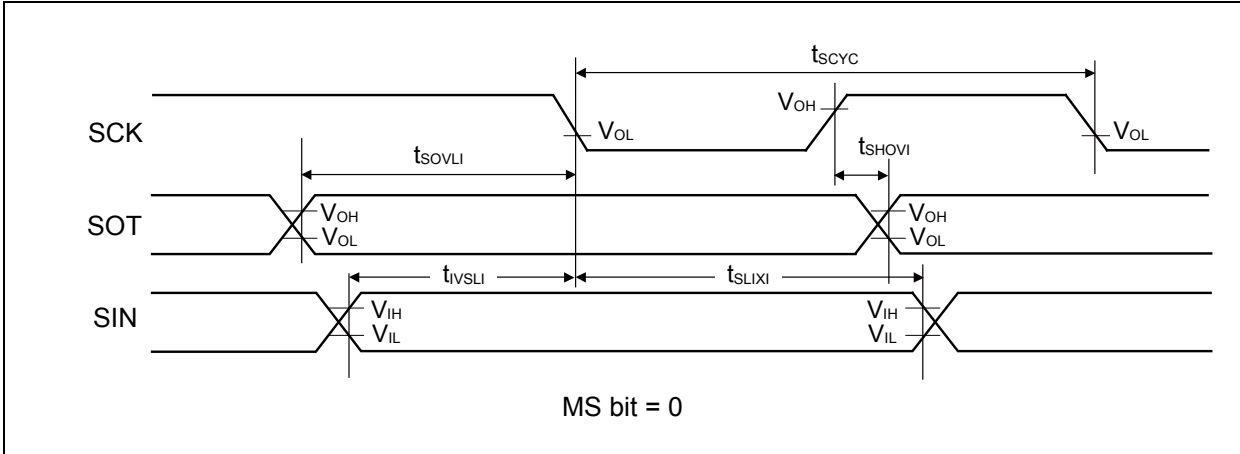
- No chip select : SIN0\_1, SOT0\_1, SCK0\_1

- Chip select : SIN6\_0, SOT6\_0, SCK6\_0, SCS6\_0

- When the external load capacitance  $C_L = 30pF$ . (For \*, when  $C_L = 10pF$ )



# MB9B460L Series



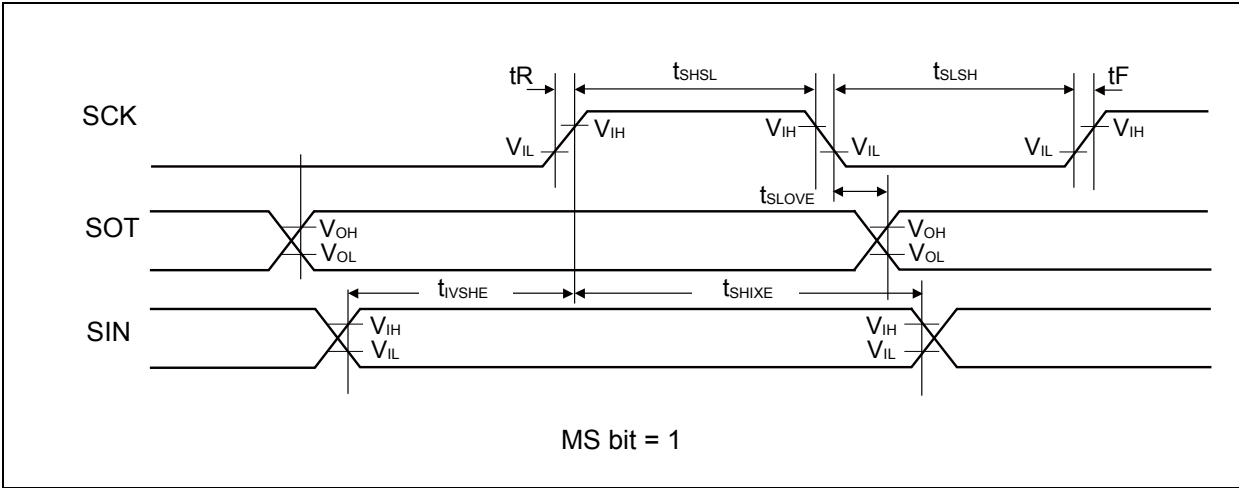
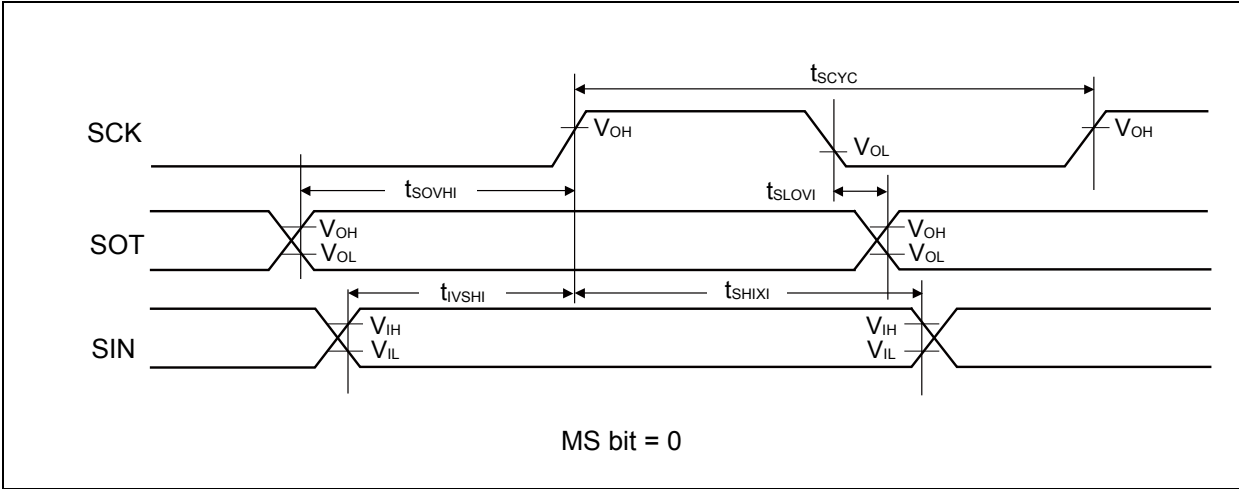
# MB9B460L Series

- High-speed synchronous serial (SPI = 1, SCINV = 1)

( $V_{CC} = 2.7V$  to  $5.5V$ ,  $V_{SS} = 0V$ )

Parameter	Symbol	Pin name	Conditions	$V_{CC} < 4.5V$		$V_{CC} \geq 4.5V$		Unit
				Min	Max	Min	Max	
Internal shift clock operation	$t_{SCYC}$	SCK <sub>X</sub>	Internal shift clock operation	$4t_{CYCP}$	-	$4t_{CYCP}$	-	ns
SCK↓→SOT delay time	$t_{SLOVI}$	SCK <sub>X</sub> , SOT <sub>X</sub>		- 10	+ 10	- 10	+ 10	ns
SIN→SCK↑ setup time	$t_{VSHI}$	SCK <sub>X</sub> , SIN <sub>X</sub>		14	-	12.5	-	ns
				12.5*				
SCK↑→SIN hold time	$t_{SHIXI}$	SCK <sub>X</sub> , SIN <sub>X</sub>		5	-	5	-	ns
SOT→SCK↑ delay time	$t_{SOVHI}$	SCK <sub>X</sub> , SOT <sub>X</sub>		$2t_{CYCP}$ - 10	-	$2t_{CYCP}$ - 10	-	ns
Serial clock "L" pulse width	$t_{SLSH}$	SCK <sub>X</sub>	External shift clock operation	$2t_{CYCP}$ - 5	-	$2t_{CYCP}$ - 5	-	ns
Serial clock "H" pulse width	$t_{SHSL}$	SCK <sub>X</sub>		$t_{CYCP}$ + 10	-	$t_{CYCP}$ + 10	-	ns
SCK↓→SOT delay time	$t_{SLOVE}$	SCK <sub>X</sub> , SOT <sub>X</sub>		-	15	-	15	ns
SIN→SCK↑ setup time	$t_{VSHI}$	SCK <sub>X</sub> , SIN <sub>X</sub>		5	-	5	-	ns
SCK↑→SIN hold time	$t_{SHIXE}$	SCK <sub>X</sub> , SIN <sub>X</sub>		5	-	5	-	ns
SCK falling time	tF	SCK <sub>X</sub>		-	5	-	5	ns
SCK rising time	tR	SCK <sub>X</sub>		-	5	-	5	ns

- Notes:
- The above characteristics apply to CLK synchronous mode.
  - $t_{CYCP}$  indicates the APB bus clock cycle time.  
About the APB bus number which UART is connected to, see "■BLOCK DIAGRAM" in this data sheet.
  - These characteristics only guarantee the following pins.
    - No chip select : SIN0\_1, SOT0\_1, SCK0\_1
    - Chip select : SIN6\_0, SOT6\_0, SCK6\_0, SCS6\_0
  - When the external load capacitance  $C_L = 30pF$ . (For \*, when  $C_L = 10pF$ )



# MB9B460L Series

- When using high-speed synchronous serial chip select (SPI = 1, SCINV = 0, MS=0, CSLVL=1)

( $V_{CC} = 2.7V$  to  $5.5V$ ,  $V_{SS} = 0V$ )

Parameter	Symbol	Conditions	$V_{CC} < 4.5V$		$V_{CC} \geq 4.5V$		Unit
			Min	Max	Min	Max	
SCS↓→SCK↓setup time	$t_{CSSI}$	Internal shift clock operation	(*1)-20	(*1)+0	(*1)-20	(*1)+0	ns
SCK↑→SCS↑ hold time	$t_{CSHI}$		(*2)+0	(*2)+20	(*2)+0	(*2)+20	ns
SCS deselect time	$t_{CSDI}$		(*3)-20 +5 $t_{CYCP}$	(*3)+20 +5 $t_{CYCP}$	(*3)-20 +5 $t_{CYCP}$	(*3)+20 +5 $t_{CYCP}$	ns
SCS↓→SCK↓setup time	$t_{CSSE}$	External shift clock operation	3 $t_{CYCP}$ +15	-	3 $t_{CYCP}$ +15	-	ns
SCK↑→SCS↑ hold time	$t_{CSHE}$		0	-	0	-	ns
SCS deselect time	$t_{CSDE}$		3 $t_{CYCP}$ +15	-	3 $t_{CYCP}$ +15	-	ns
SCS↓→SOT delay time	$t_{DSE}$		-	25	-	25	ns
SCS↑→SOT delay time	$t_{DEE}$		0	-	0	-	ns

(\*1): CSSU bit value×serial chip select timing operating clock cycle [ns]

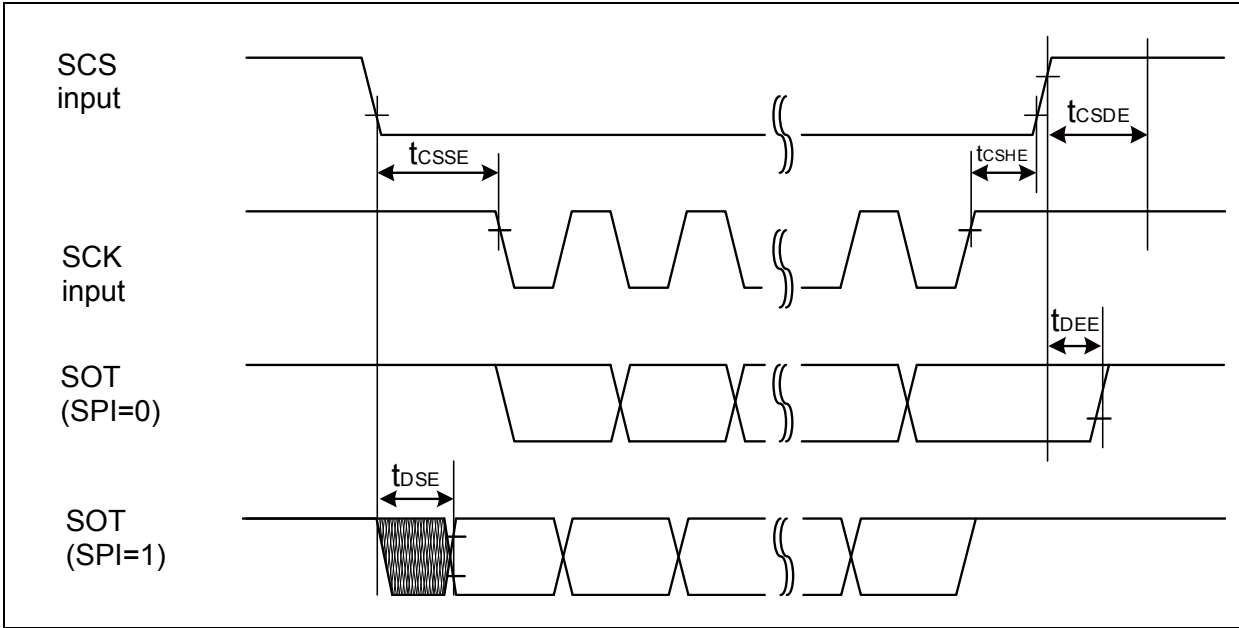
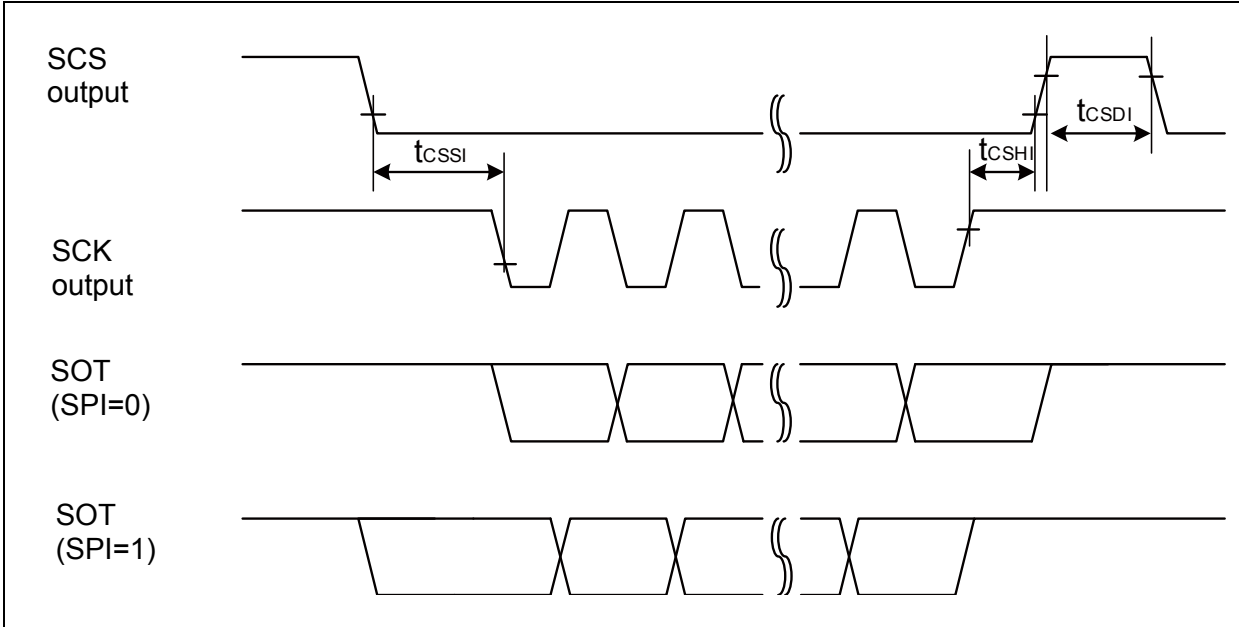
(\*2): CSHD bit value×serial chip select timing operating clock cycle [ns]

(\*3): CSDS bit value×serial chip select timing operating clock cycle [ns]

Notes: •  $t_{CYCP}$  indicates the APB bus clock cycle time.

About the APB bus number which UART is connected to, see "■BLOCK DIAGRAM" in this data sheet.

- About CSSU, CSHD, CSDS, serial chip select timing operating clock, see "FM4 Family PERIPHERAL MANUAL".
- When the external load capacitance  $C_L = 30pF$ .



# MB9B460L Series

- When using high-speed synchronous serial chip select (SPI = 1, SCINV = 1, MS=0, CSLVL=1)

( $V_{CC} = 2.7V$  to  $5.5V$ ,  $V_{SS} = 0V$ )

Parameter	Symbol	Conditions	$V_{CC} < 4.5V$		$V_{CC} \geq 4.5V$		Unit
			Min	Max	Min	Max	
SCS↓→SCK↑setup time	$t_{CSSI}$	Internal shift clock operation	(*1)-20	(*1)+0	(*1)-20	(*1)+0	ns
SCK↓→SCS↑ hold time	$t_{CSHI}$		(*2)+0	(*2)+20	(*2)+0	(*2)+20	ns
SCS deselect time	$t_{CSDI}$		(*3)-20 +5 $t_{CYCP}$	(*3)+20 +5 $t_{CYCP}$	(*3)-20 +5 $t_{CYCP}$	(*3)+20 +5 $t_{CYCP}$	ns
SCS↓→SCK↑setup time	$t_{CSSE}$	External shift clock operation	3 $t_{CYCP}$ +15	-	3 $t_{CYCP}$ +15	-	ns
SCK↓→SCS↑ hold time	$t_{CSHE}$		0	-	0	-	ns
SCS deselect time	$t_{CSDE}$		3 $t_{CYCP}$ +15	-	3 $t_{CYCP}$ +15	-	ns
SCS↓→SOT delay time	$t_{DSE}$		-	25	-	25	ns
SCS↑→SOT delay time	$t_{DEE}$		0	-	0	-	ns

(\*1): CSSU bit value×serial chip select timing operating clock cycle [ns]

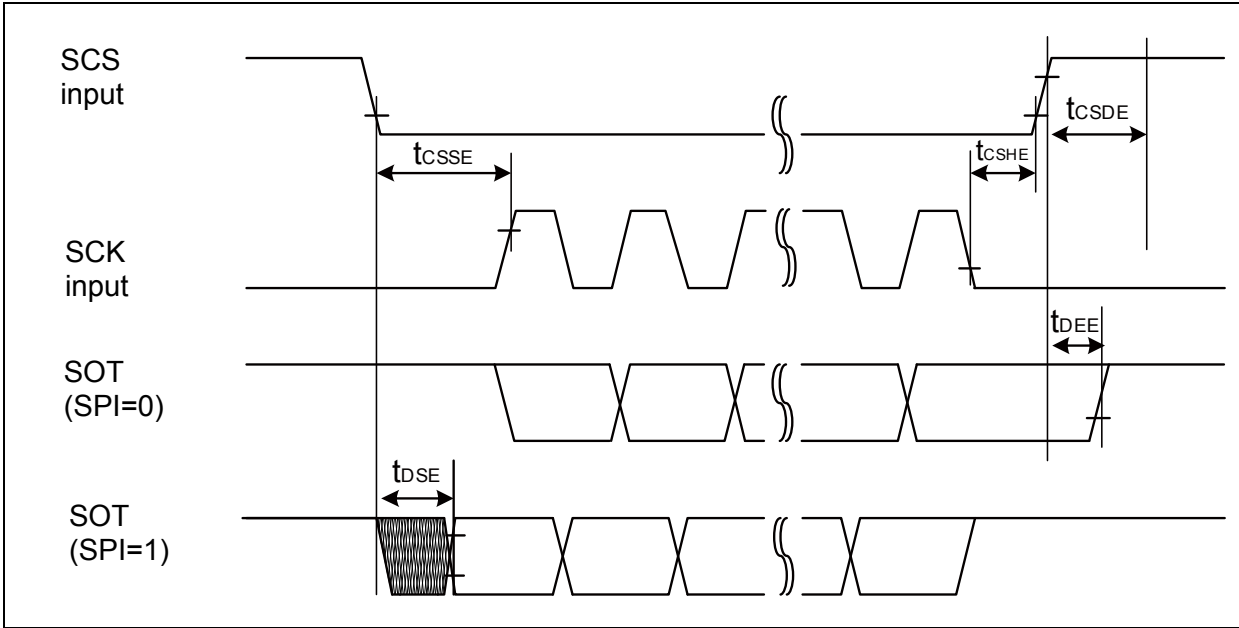
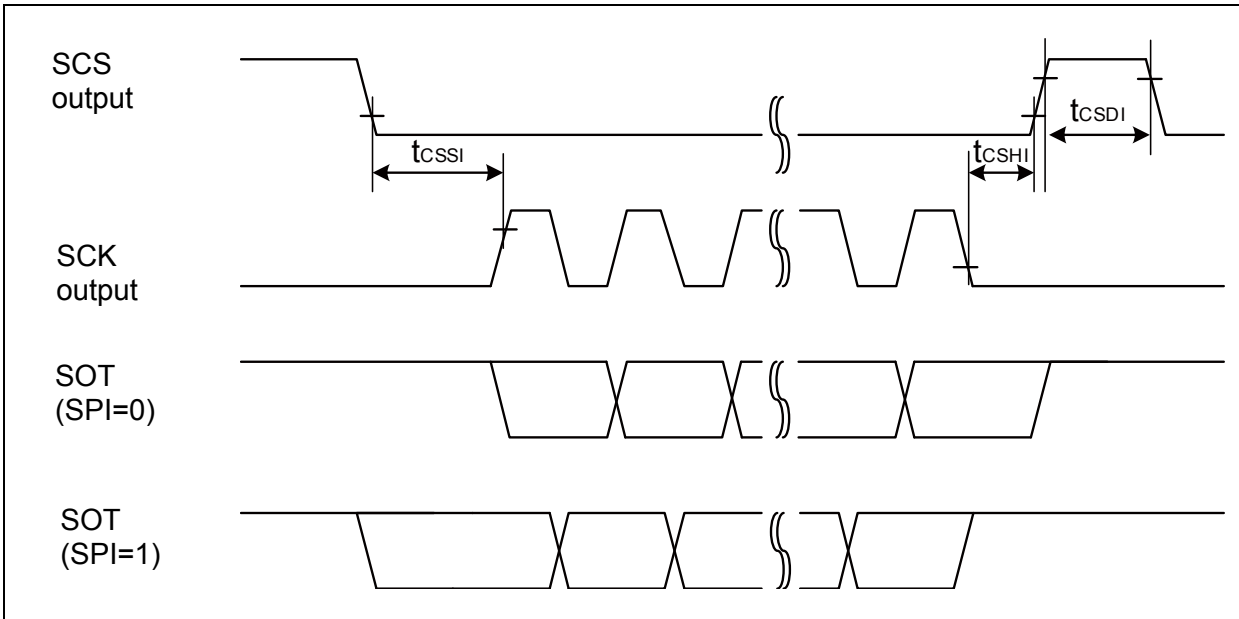
(\*2): CSHD bit value×serial chip select timing operating clock cycle [ns]

(\*3): CSDS bit value×serial chip select timing operating clock cycle [ns]

Notes: •  $t_{CYCP}$  indicates the APB bus clock cycle time.

About the APB bus number which UART is connected to, see "■BLOCK DIAGRAM" in this data sheet.

- About CSSU, CSHD, CSDS, serial chip select timing operating clock, see "FM4 Family PERIPHERAL MANUAL".
- When the external load capacitance  $C_L = 30pF$ .



# MB9B460L Series

- When using high-speed synchronous serial chip select (SPI = 1, SCINV = 0, MS=0, CSLVL=0)

( $V_{CC} = 2.7V$  to  $5.5V$ ,  $V_{SS} = 0V$ )

Parameter	Symbol	Conditions	$V_{CC} < 4.5V$		$V_{CC} \geq 4.5V$		Unit
			Min	Max	Min	Max	
SCS $\uparrow$ →SCK $\downarrow$ setup time	$t_{CSSI}$	Internal shift clock operation	(*1)-20	(*1)+0	(*1)-20	(*1)+0	ns
SCK $\uparrow$ →SCS $\downarrow$ hold time	$t_{CSHI}$		(*2)+0	(*2)+20	(*2)+0	(*2)+20	ns
SCS deselect time	$t_{CSDI}$		(*3)-20 +5 $t_{CYCP}$	(*3)+20 +5 $t_{CYCP}$	(*3)-20 +5 $t_{CYCP}$	(*3)+20 +5 $t_{CYCP}$	ns
SCS $\uparrow$ →SCK $\downarrow$ setup time	$t_{CSSE}$	External shift clock operation	3 $t_{CYCP}$ +15	-	3 $t_{CYCP}$ +15	-	ns
SCK $\uparrow$ →SCS $\downarrow$ hold time	$t_{CSHE}$		0	-	0	-	ns
SCS deselect time	$t_{CSDE}$		3 $t_{CYCP}$ +15	-	3 $t_{CYCP}$ +15	-	ns
SCS $\uparrow$ →SOT delay time	$t_{DSE}$		-	25	-	25	ns
SCS $\downarrow$ →SOT delay time	$t_{DEE}$		0	-	0	-	ns

(\*1): CSSU bit value×serial chip select timing operating clock cycle [ns]

(\*2): CSHD bit value×serial chip select timing operating clock cycle [ns]

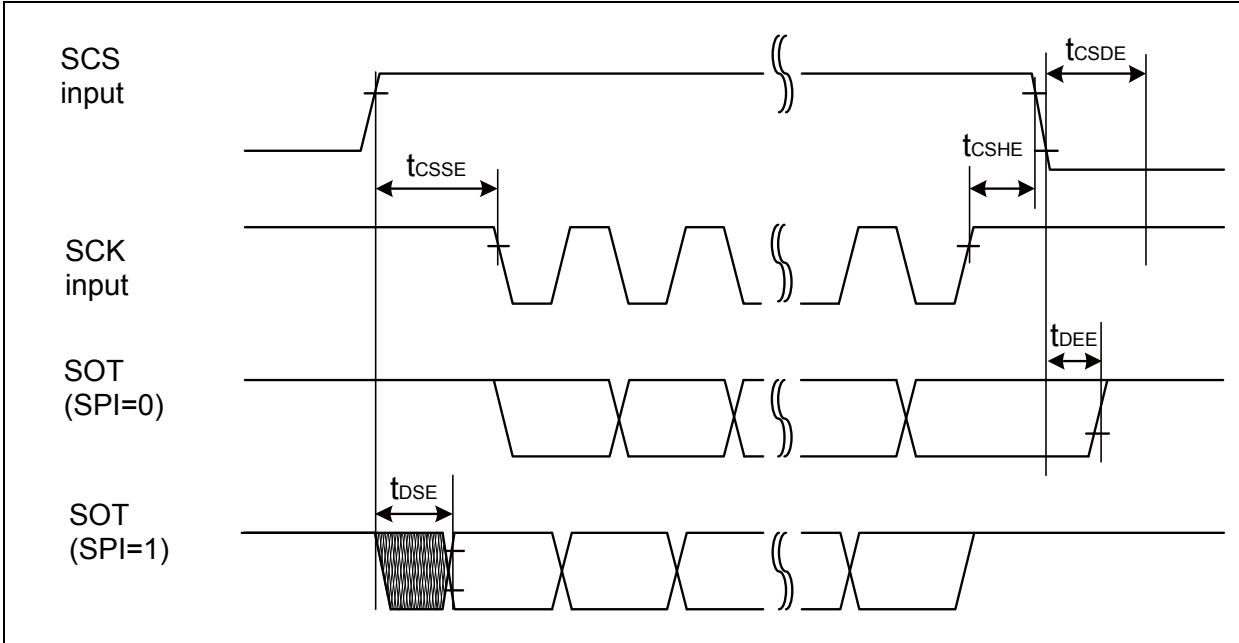
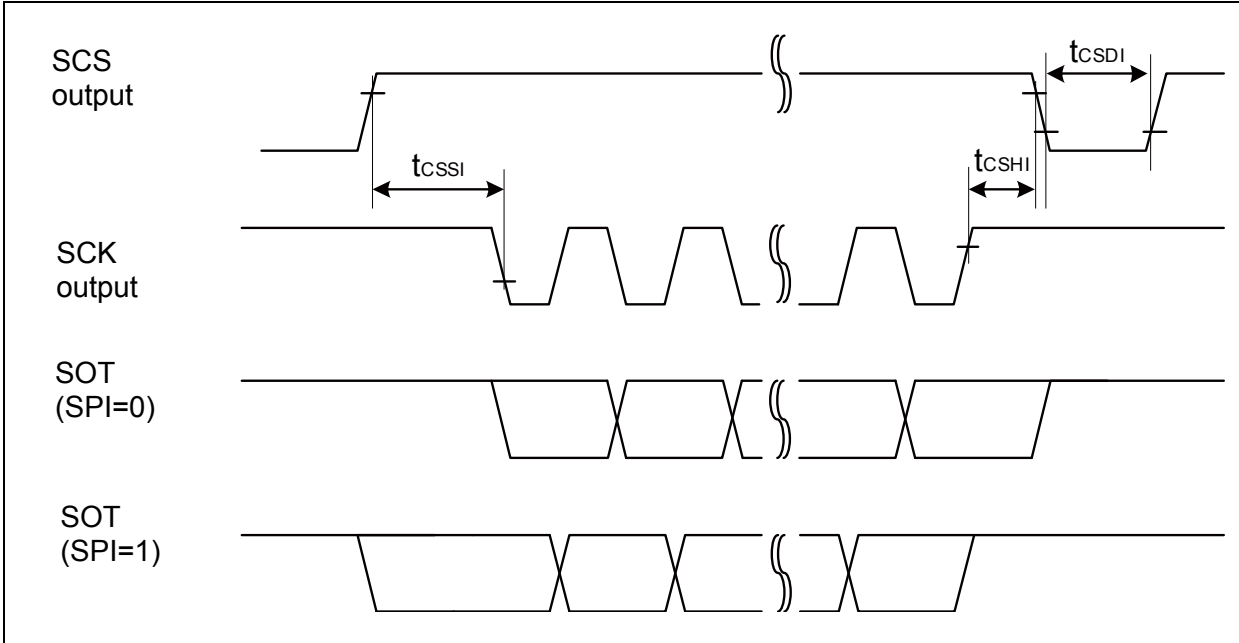
(\*3): CSDS bit value×serial chip select timing operating clock cycle [ns]

Notes: •  $t_{CYCP}$  indicates the APB bus clock cycle time.

About the APB bus number which UART is connected to, see "■BLOCK DIAGRAM" in this data sheet.

- About CSSU, CSHD, CSDS, serial chip select timing operating clock, see "FM4 Family PERIPHERAL MANUAL".
- When the external load capacitance  $C_L = 30pF$ .





# MB9B460L Series

- When using high-speed synchronous serial chip select (SPI = 1, SCINV = 1, MS=0, CSLVL=0)

( $V_{CC} = 2.7V$  to  $5.5V$ ,  $V_{SS} = 0V$ )

Parameter	Symbol	Conditions	$V_{CC} < 4.5V$		$V_{CC} \geq 4.5V$		Unit
			Min	Max	Min	Max	
SCS $\uparrow$ →SCK $\uparrow$ setup time	$t_{CSSI}$	Internal shift clock operation	(*1)-20	(*1)+0	(*1)-20	(*1)+0	ns
SCK $\downarrow$ →SCS $\downarrow$ hold time	$t_{CSHI}$		(*2)+0	(*2)+20	(*2)+0	(*2)+20	ns
SCS deselect time	$t_{CSDI}$		(*3)-20 +5 $t_{CYCP}$	(*3)+20 +5 $t_{CYCP}$	(*3)-20 +5 $t_{CYCP}$	(*3)+20 +5 $t_{CYCP}$	ns
SCS $\uparrow$ →SCK $\uparrow$ setup time	$t_{CSSE}$	External shift clock operation	3 $t_{CYCP}$ +15	-	3 $t_{CYCP}$ +15	-	ns
SCK $\downarrow$ →SCS $\downarrow$ hold time	$t_{CSHE}$		0	-	0	-	ns
SCS deselect time	$t_{CSDE}$		3 $t_{CYCP}$ +15	-	3 $t_{CYCP}$ +15	-	ns
SCS $\uparrow$ →SOT delay time	$t_{DSE}$		-	25	-	25	ns
SCS $\downarrow$ →SOT delay time	$t_{DEE}$		0	-	0	-	ns

(\*1): CSSU bit value×serial chip select timing operating clock cycle [ns]

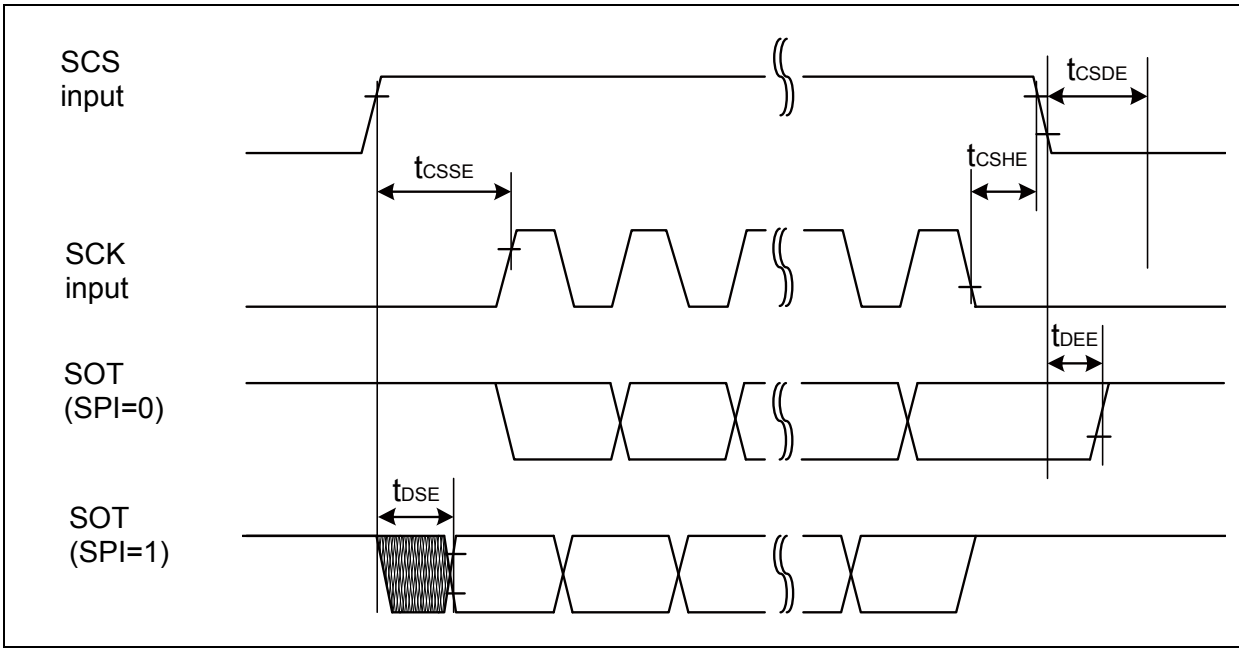
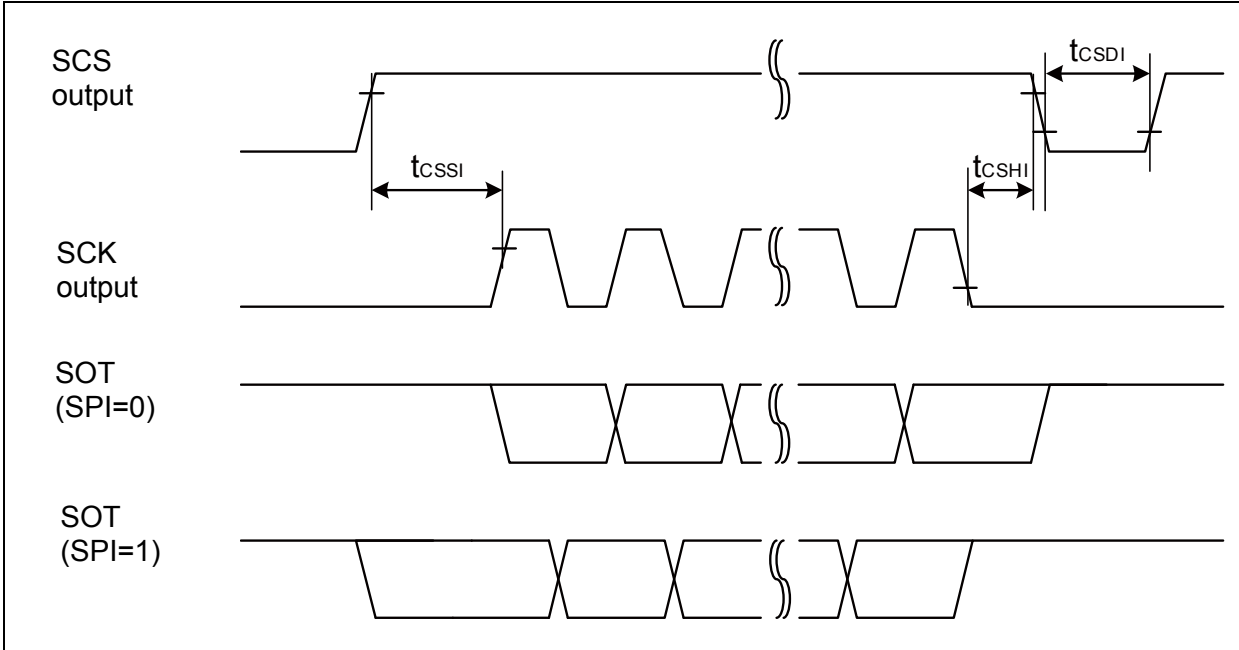
(\*2): CSHD bit value×serial chip select timing operating clock cycle [ns]

(\*3): CSDS bit value×serial chip select timing operating clock cycle [ns]

Notes: •  $t_{CYCP}$  indicates the APB bus clock cycle time.

About the APB bus number which UART is connected to, see "■BLOCK DIAGRAM" in this data sheet.

- About CSSU, CSHD, CSDS, serial chip select timing operating clock, see "FM4 Family PERIPHERAL MANUAL".
- When the external load capacitance  $C_L = 30pF$ .

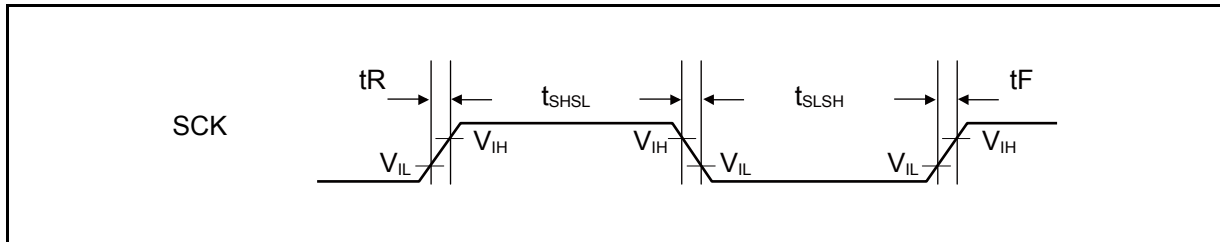


# MB9B460L Series

- External clock (EXT = 1) : when in asynchronous mode only

( $V_{CC} = 2.7V$  to  $5.5V$ ,  $V_{SS} = 0V$ )

Parameter	Symbol	Condition	Value		Unit	Remarks
			Min	Max		
Serial clock "L" pulse width	$t_{SLSH}$	$C_L = 30pF$	$t_{CYCP} + 10$	-	ns	
Serial clock "H" pulse width	$t_{SHSL}$		$t_{CYCP} + 10$	-	ns	
SCK falling time	$t_F$		-	5	ns	
SCK rising time	$t_R$		-	5	ns	



## (10) External Input Timing

( $V_{CC} = 2.7V$  to  $5.5V$ ,  $V_{SS} = 0V$ )

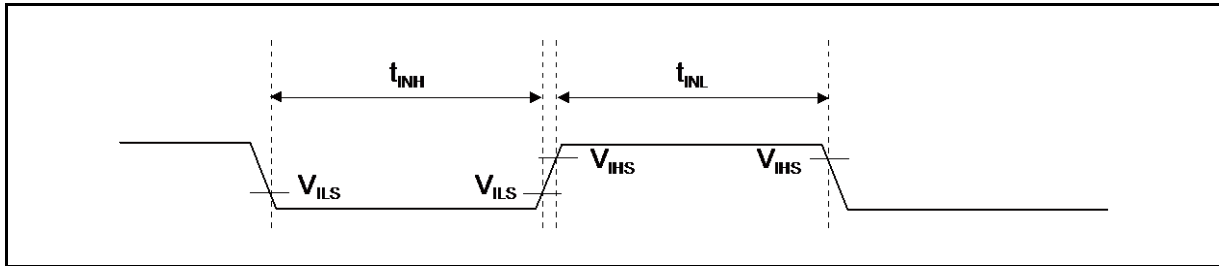
Parameter	Symbol	Pin name	Conditions	Value		Unit	Remarks
				Min	Max		
Input pulse width	$t_{INH}$ , $t_{INL}$	ADTG	-	$2t_{CYCP}^{*1}$	-	ns	A/D converter trigger input
		FRCKx					Free-run timer input clock
		ICxx					Input capture
		DTTIXX	-	$2t_{CYCP}^{*1}$	-	ns	Waveform generator
		INT00 to INT31, NMIX	-	$2t_{CYCP} + 100^{*1}$	-	ns	External interrupt, NMI
				$500^{*2}$	-	ns	
		WKUPx	-	$500^{*3}$	-	ns	Deep standby wake up

\*1:  $t_{CYCP}$  indicates the APB bus clock cycle time except stop when in STOP mode, in timer mode.

About the APB bus number which the A/D converter, Multi-function Timer, External interrupt are connected to, see "BLOCK DIAGRAM" in this data sheet.

\*2: When in STOP mode, in timer mode.

\*3: When in deep standby RTC mode, in deep standby STOP mode.



# MB9B460L Series

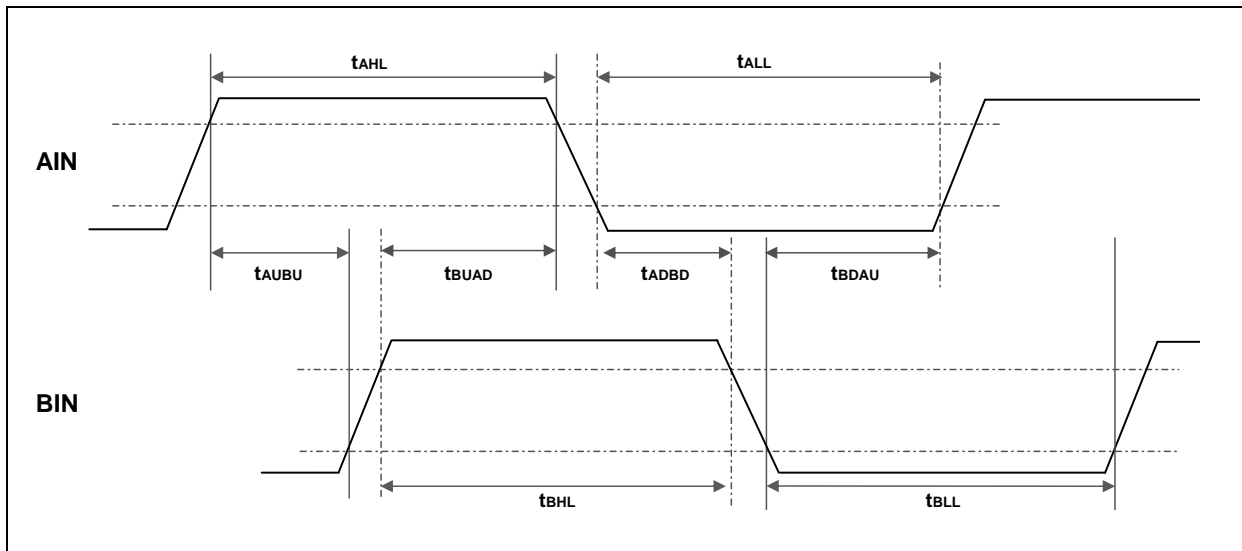
## (11) Quadrature Position/Revolution Counter Timing

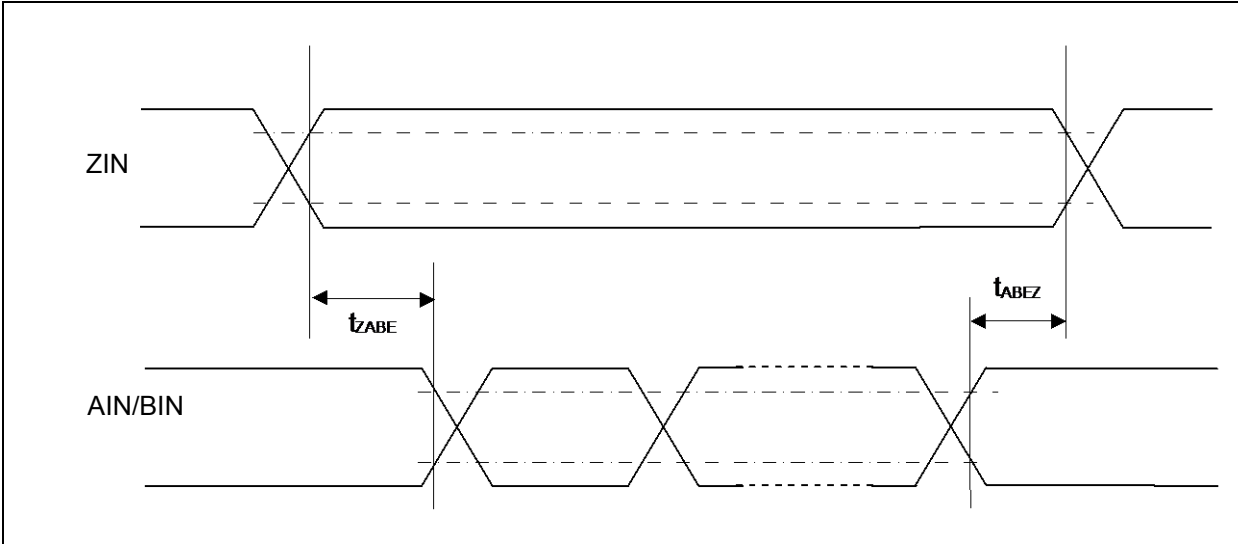
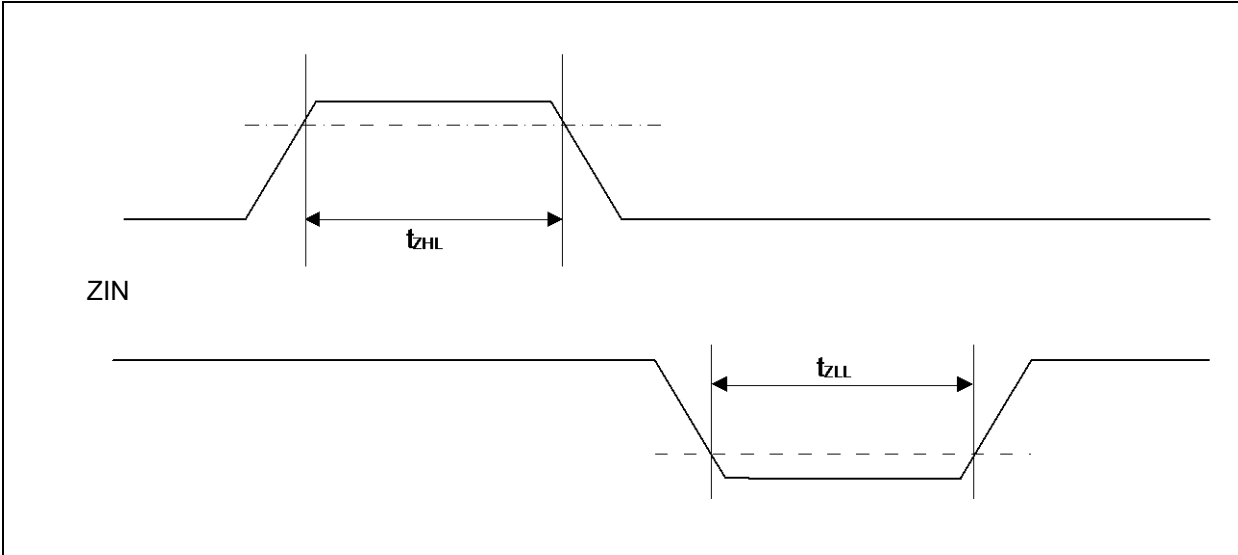
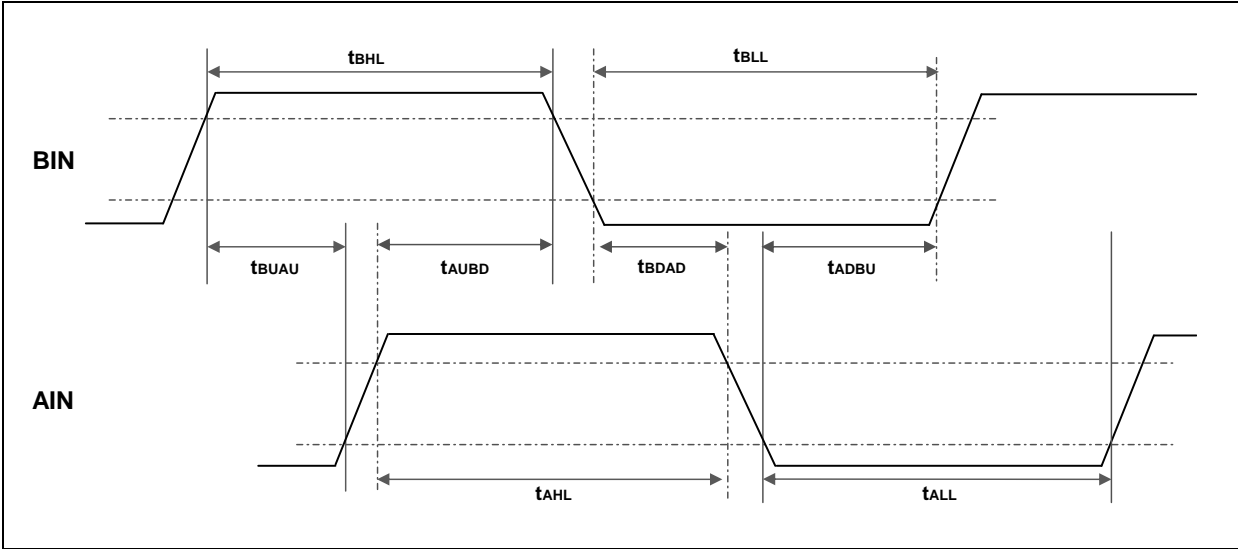
( $V_{CC} = 2.7V$  to  $5.5V$ ,  $V_{SS} = 0V$ )

Parameter	Symbol	Conditions	Value		Unit
			Min	Max	
AIN pin "H" width	$t_{AHL}$	-	$2t_{CYCP}^*$	-	ns
AIN pin "L" width	$t_{ALL}$	-			
BIN pin "H" width	$t_{BHL}$	-			
BIN pin "L" width	$t_{BLL}$	-			
BIN rising time from AIN pin "H" level	$t_{AUBU}$	PC_Mode2 or PC_Mode3			
AIN falling time from BIN pin "H" level	$t_{BUAD}$	PC_Mode2 or PC_Mode3			
BIN falling time from AIN pin "L" level	$t_{ADBD}$	PC_Mode2 or PC_Mode3			
AIN rising time from BIN pin "L" level	$t_{BDAU}$	PC_Mode2 or PC_Mode3			
AIN rising time from BIN pin "H" level	$t_{BUAU}$	PC_Mode2 or PC_Mode3			
BIN falling time from AIN pin "H" level	$t_{AUBD}$	PC_Mode2 or PC_Mode3			
AIN falling time from BIN pin "L" level	$t_{BDAD}$	PC_Mode2 or PC_Mode3			
BIN rising time from AIN pin "L" level	$t_{ADBU}$	PC_Mode2 or PC_Mode3			
ZIN pin "H" width	$t_{ZHL}$	QCR:CGSC="0"			
ZIN pin "L" width	$t_{ZLL}$	QCR:CGSC="0"			
AIN/BIN rising and falling time from determined ZIN level	$t_{ZABE}$	QCR:CGSC="1"			
Determined ZIN level from AIN/BIN rising and falling time	$t_{ABEZ}$	QCR:CGSC="1"			

\* :  $t_{CYCP}$  indicates the APB bus clock cycle time except stop when in STOP mode, in timer mode.

About the APB bus number which Quadrature Position/Revolution Counter is connected to, see "■BLOCK DIAGRAM" in this data sheet.





# MB9B460L Series

## (12) I<sup>2</sup>C Timing

- Typical mode, high-speed mode

(V<sub>CC</sub> = 2.7V to 5.5V, V<sub>SS</sub> = 0V)

Parameter	Symbol	Conditions	Typical mode		High-speed mode		Unit	Remarks
			Min	Max	Min	Max		
SCL clock frequency	F <sub>SCL</sub>	C <sub>L</sub> = 30pF, R = (V <sub>p</sub> /I <sub>OL</sub> )* <sup>1</sup>	0	100	0	400	kHz	
(Repeated) START condition hold time SDA ↓ → SCL ↓	t <sub>HDSTA</sub>		4.0	-	0.6	-	μs	
SCL clock "L" width	t <sub>LOW</sub>		4.7	-	1.3	-	μs	
SCL clock "H" width	t <sub>HIGH</sub>		4.0	-	0.6	-	μs	
(Repeated) START condition setup time SCL ↑ → SDA ↓	t <sub>SUSTA</sub>		4.7	-	0.6	-	μs	
Data hold time SCL ↓ → SDA ↓ ↑	t <sub>HDDAT</sub>		0	3.45* <sup>2</sup>	0	0.9* <sup>3</sup>	μs	
Data setup time SDA ↓ ↑ → SCL ↑	t <sub>SUDAT</sub>		250	-	100	-	ns	
STOP condition setup time SCL ↑ → SDA ↑	t <sub>SUSTO</sub>		4.0	-	0.6	-	μs	
Bus free time between "STOP condition" and "START condition"	t <sub>BUF</sub>		4.7	-	1.3	-	μs	
Noise filter	t <sub>SP</sub>	2MHz ≤ t <sub>CYCP</sub> < 40MHz	2t <sub>CYCP</sub> * <sup>4</sup>	-	2t <sub>CYCP</sub> * <sup>4</sup>	-	ns	* <sup>5</sup>
		40MHz ≤ t <sub>CYCP</sub> < 60MHz	4t <sub>CYCP</sub> * <sup>4</sup>	-	4t <sub>CYCP</sub> * <sup>4</sup>	-	ns	
		60MHz ≤ t <sub>CYCP</sub> < 80MHz	6t <sub>CYCP</sub> * <sup>4</sup>	-	6t <sub>CYCP</sub> * <sup>4</sup>	-	ns	
		80MHz ≤ t <sub>CYCP</sub> < 100MHz	8t <sub>CYCP</sub> * <sup>4</sup>	-	8t <sub>CYCP</sub> * <sup>4</sup>	-	ns	
		100MHz ≤ t <sub>CYCP</sub> < 120MHz	10t <sub>CYCP</sub> * <sup>4</sup>	-	10t <sub>CYCP</sub> * <sup>4</sup>	-	ns	
		120MHz ≤ t <sub>CYCP</sub> < 140MHz	12t <sub>CYCP</sub> * <sup>4</sup>	-	12t <sub>CYCP</sub> * <sup>4</sup>	-	ns	
		140MHz ≤ t <sub>CYCP</sub> < 160MHz	14t <sub>CYCP</sub> * <sup>4</sup>	-	14t <sub>CYCP</sub> * <sup>4</sup>	-	ns	
		160MHz ≤ t <sub>CYCP</sub> < 180MHz	16t <sub>CYCP</sub> * <sup>4</sup>	-	16t <sub>CYCP</sub> * <sup>4</sup>	-	ns	

\*1 : R and C<sub>L</sub> represent the pull-up resistance and load capacitance of the SCL and SDA lines, respectively. V<sub>p</sub> indicates the power supply voltage of the pull-up resistance and I<sub>OL</sub> indicates V<sub>OL</sub> guaranteed current.

\*2 : The maximum t<sub>HDDAT</sub> must satisfy that it does not extend at least "L" period (t<sub>LOW</sub>) of device's SCL signal.

\*3 : A high-speed mode I<sup>2</sup>C bus device can be used on a typical mode I<sup>2</sup>C bus system as long as the device satisfies the requirement of "t<sub>SUDAT</sub> ≥ 250 ns".

\*4 : t<sub>CYCP</sub> is the APB bus clock cycle time.

About the APB bus number that I<sup>2</sup>C is connected to, see "■BLOCK DIAGRAM" in this data sheet.

\*5 : The noise filter time can be changed by register settings.

Change the number of the noise filter steps according to APB bus clock frequency.



• Fast mode plus (Fm+)

( $V_{CC} = 2.7V$  to  $5.5V$ ,  $V_{SS} = 0V$ )

Parameter	Symbol	Conditions	Fast mode plus (Fm+)* <sup>6</sup>		Unit	Remarks
			Min	Max		
SCL clock frequency	$F_{SCL}$	$C_L = 30pF$ , $R = (V_p/I_{OL})^{*1}$	0	1000	kHz	
(Repeated) START condition hold time SDA ↓ → SCL ↓	$t_{HDSTA}$		0.26	-	μs	
SCL clock "L" width	$t_{LOW}$		0.5	-	μs	
SCL clock "H" width	$t_{HIGH}$		0.26	-	μs	
SCL clock frequency	$t_{SUSTA}$		0.26	-	μs	
(Repeated) START condition hold time SDA ↓ → SCL ↓	$t_{HDDAT}$		0	$0.45^{*2, *3}$	μs	
Data setup time SDA ↓ ↑ → SCL ↑	$t_{SUDAT}$		50	-	ns	
STOP condition setup time SCL ↑ → SDA ↑	$t_{SUSTO}$		0.26	-	μs	
Bus free time between "STOP condition" and "START condition"	$t_{BUF}$		0.5	-	μs	
Noise filter	$t_{SP}$		$60MHz \leq t_{CYCP} < 80MHz$	$6 t_{CYCP}^{*4}$	-	ns
		$80MHz \leq t_{CYCP} < 100MHz$	$8 t_{CYCP}^{*4}$	-	ns	
		$100MHz \leq t_{CYCP} < 120MHz$	$10 t_{CYCP}^{*4}$	-	ns	
		$120MHz \leq t_{CYCP} < 140MHz$	$12 t_{CYCP}^{*4}$	-	ns	
		$140MHz \leq t_{CYCP} < 160MHz$	$14 t_{CYCP}^{*4}$	-	ns	
		$160MHz \leq t_{CYCP} < 180MHz$	$16 t_{CYCP}^{*4}$	-	ns	

\*1 : R and  $C_L$  represent the pull-up resistance and load capacitance of the SCL and SDA lines, respectively.  $V_p$  indicates the power supply voltage of the pull-up resistance and  $I_{OL}$  indicates  $V_{OL}$  guaranteed current.

\*2 : The maximum  $t_{HDDAT}$  must satisfy that it does not extend at least "L" period ( $t_{LOW}$ ) of device's SCL signal.

\*3 : A high-speed mode I<sup>2</sup>C bus device can be used on a typical mode I<sup>2</sup>C bus system as long as the device satisfies the requirement of " $t_{SUDAT} \geq 250$  ns".

\*4 :  $t_{CYCP}$  is the APB bus clock cycle time.

About the APB bus number that I<sup>2</sup>C is connected to, see "■BLOCK DIAGRAM" in this data sheet.

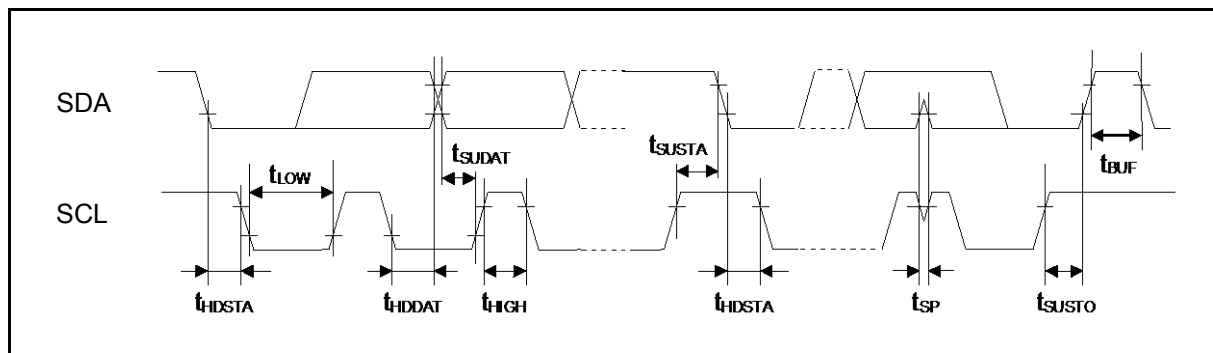
To use fast mode plus (Fm+), set the peripheral bus clock at 64 MHz or more.

\*5 : The noise filter time can be changed by register settings.

Change the number of the noise filter steps according to APB bus clock frequency.

\*6 : When using fast mode plus (Fm+), set the I/O pin to the mode corresponding to I<sup>2</sup>C Fm+ in the EPFR register. See "CHAPTER: I/O PORT" in "FM4 Family PERIPHERAL MANUAL" for the details.

# MB9B460L Series

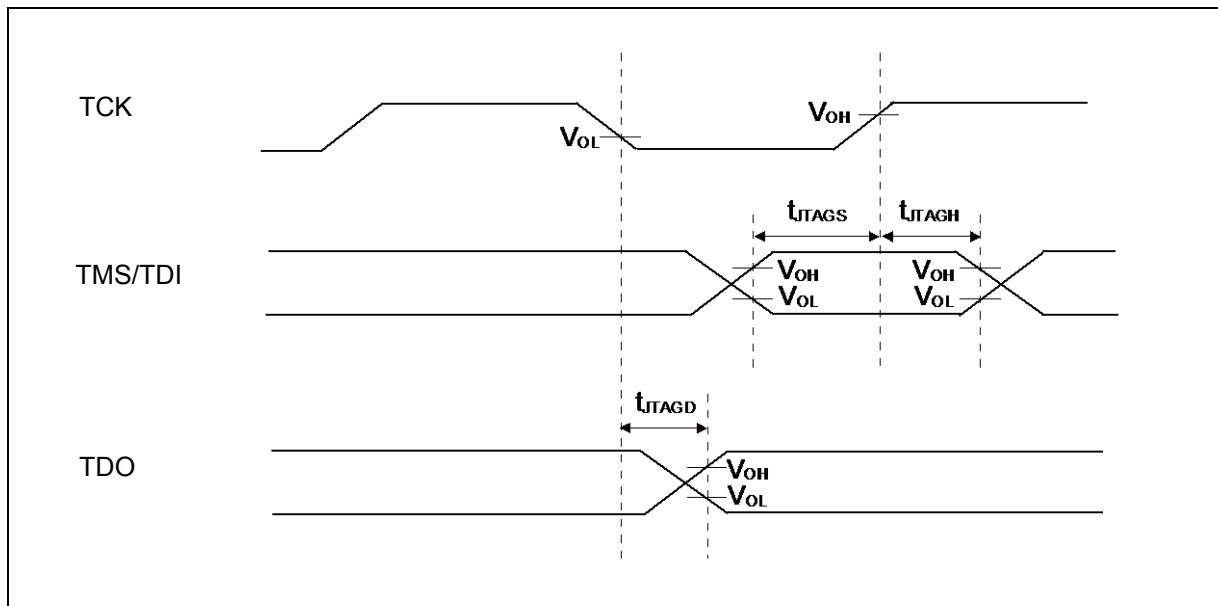


## (13) JTAG Timing

( $V_{CC} = 2.7V$  to  $5.5V$ ,  $V_{SS} = 0V$ )

Parameter	Symbol	Pin name	Conditions	Value		Unit	Remarks
				Min	Max		
TMS, TDI setup time	$t_{JT\text{AGS}}$	TCK, TMS, TDI	$V_{CC} \geq 4.5V$	15	-	ns	
			$V_{CC} < 4.5V$				
TMS, TDI hold time	$t_{JT\text{AGH}}$	TCK, TMS, TDI	$V_{CC} \geq 4.5V$	15	-	ns	
			$V_{CC} < 4.5V$				
TDO delay time	$t_{JT\text{AGD}}$	TCK, TDO	$V_{CC} \geq 4.5V$	-	25	ns	
			$V_{CC} < 4.5V$	-	45		

Note: When the external load capacitance  $C_L = 30pF$ .



# MB9B460L Series

## 5. 12-bit A/D Converter

### • Electrical Characteristics for the A/D Converter

( $V_{CC} = AV_{CC} = 2.7V$  to  $5.5V$ ,  $V_{SS} = AV_{SS} = AV_{RL} = 0V$ )

Parameter	Symbol	Pin name	Value			Unit	Remarks
			Min	Typ	Max		
Resolution	-	-	-	-	12	bit	
Integral Nonlinearity	-	-	- 4.5	-	+ 4.5	LSB	AVRH = 2.7V to 5.5V
Differential Nonlinearity	-	-	- 2.5	-	+ 2.5	LSB	
Zero transition voltage	$V_{ZT}$	AN00 to AN14	- 15	-	+ 15	mV	
Full-scale transition voltage	$V_{FST}$	AN00 to AN14	AVRH - 15	-	AVRH + 15	mV	
Conversion time	-	-	0.5* <sup>1</sup>	-	-	$\mu$ s	$AV_{CC} \geq 4.5V$
Sampling time	$T_s$	-	*2	-	10	$\mu$ s	$AV_{CC} \geq 4.5V$
			*2	-			$AV_{CC} < 4.5V$
Compare clock cycle* <sup>3</sup>	$T_{cck}$	-	25	-	1000	ns	$AV_{CC} \geq 4.5V$
			50	-	1000		$AV_{CC} < 4.5V$
State transition time to operation permission	$T_{stt}$	-	1.0	-	-	$\mu$ s	
Power supply current (analog + digital)	-	AVCC	-	0.69	0.92	mA	A/D 1unit operation
			-	0.3	12	$\mu$ A	When A/D stop
Reference power supply current (between AVRH and AVSS)	-	AVRH	-	1.1	1.97	mA	A/D 1unit operation AVRH=5.5V
			-	0.2	4.2	$\mu$ A	When A/D stop
Analog input capacity	$C_{AIN}$	-	-	-	10	pF	
Analog input resistance	$R_{AIN}$	-	-	-	1.2	k $\Omega$	$AV_{CC} \geq 4.5V$
					1.8		$AV_{CC} < 4.5V$
Interchannel disparity	-	-	-	-	4	LSB	
Analog port input current	-	AN00 to AN14	-	-	5	$\mu$ A	
Analog input voltage	-	AN00 to AN14	$AV_{SS}$	-	AVRH	V	
Reference voltage	-	AVRH	4.5	-	$AV_{CC}$	V	$T_{cck} < 50ns$
			2.7	-	$AV_{CC}$		$T_{cck} \geq 50ns$

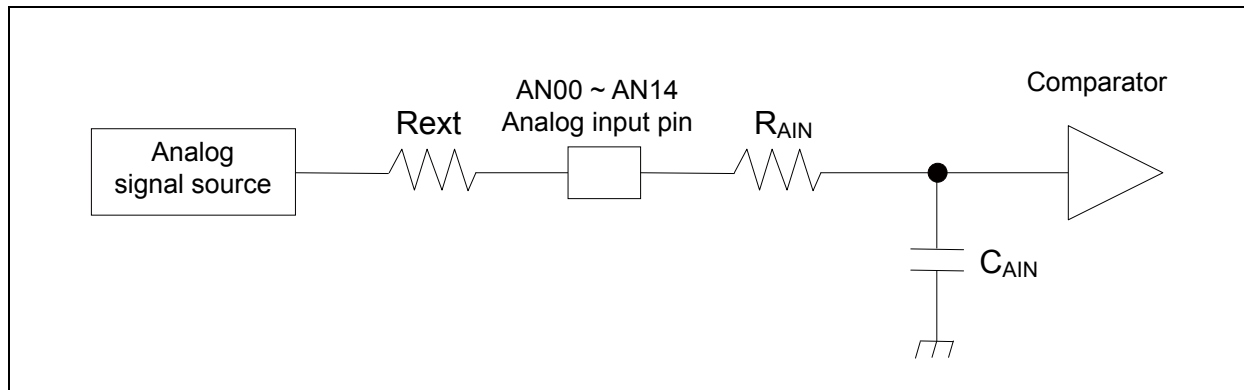
\*1: The conversion time is the value of sampling time ( $T_s$ ) + compare time ( $T_c$ ).

The condition of the minimum conversion time is when the value of sampling time: 150ns, the value of compare time: 350ns ( $AV_{CC} \geq 4.5V$ ). Ensure that it satisfies the value of sampling time ( $T_s$ ) and compare clock cycle ( $T_{cck}$ ). For setting\*<sup>4</sup> of sampling time and compare clock cycle, see "Chapter: A/D Converter" in "FM4 Family PERIPHERAL MANUAL Analog Macro Part". The register setting of the A/D Converter is reflected by the peripheral clock timing. The sampling and compare clock are set at Base clock (HCLK).

\*2: A necessary sampling time changes by external impedance. Ensure that it set the sampling time to satisfy (Equation 1).

\*3: The compare time ( $T_c$ ) is the value of (Equation 2).

\*4: The register setting of the A/D Converter is reflected by the timing of the APB bus clock. The sampling clock and compare clock are set in base clock (HCLK). About the APB bus number which the A/D Converter is connected to, see "■BLOCK DIAGRAM" in this data sheet.



(Equation 1)  $T_s \geq (R_{AIN} + R_{ext}) \times C_{AIN} \times 9$

$T_s$  : Sampling time

$R_{AIN}$  : Input resistance of A/D = 1.2k $\Omega$  at 4.5V  $\leq AV_{CC} \leq 5.5V$   
 Input resistance of A/D = 1.8k $\Omega$  at 2.7V  $\leq AV_{CC} \leq 4.5V$

$C_{AIN}$  : Input capacity of A/D = 10pF at 2.7V  $\leq AV_{CC} \leq 5.5V$

$R_{ext}$  : Output impedance of external circuit

(Equation 2)  $T_c = T_{cck} \times 14$

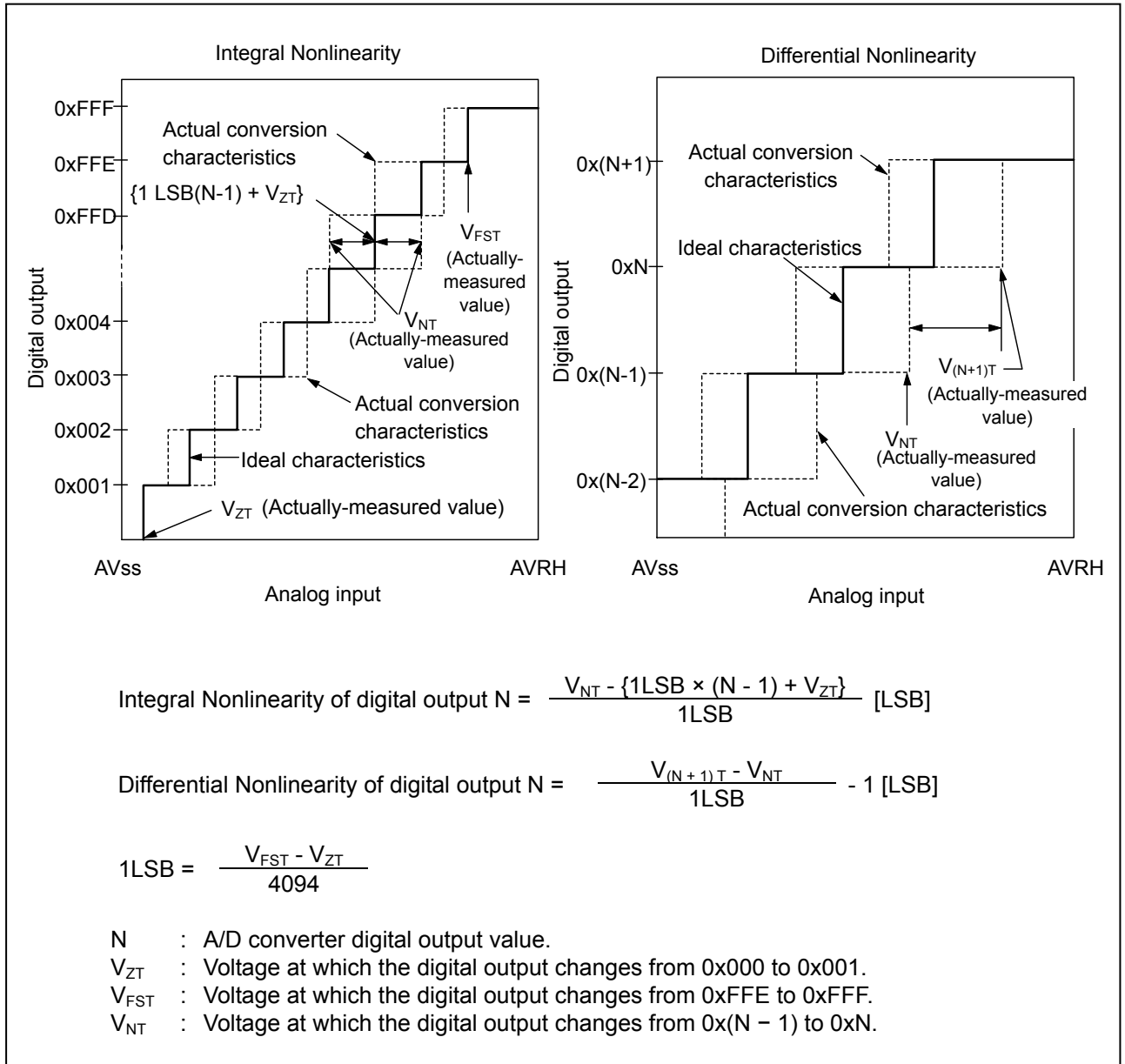
$T_c$  : Compare time

$T_{cck}$  : Compare clock cycle

# MB9B460L Series

## • Definition of 12-bit A/D Converter Terms

- Resolution : Analog variation that is recognized by an A/D converter.
- Integral Nonlinearity : Deviation of the line between the zero-transition point (0b000000000000  $\longleftrightarrow$  0b000000000001) and the full-scale transition point (0b111111111110  $\longleftrightarrow$  0b111111111111) from the actual conversion characteristics.
- Differential Nonlinearity : Deviation from the ideal value of the input voltage that is required to change the output code by 1 LSB.



## 6. 12-bit D/A Converter

- Electrical Characteristics for the D/A Converter

( $V_{CC} = AV_{CC} = 2.7V$  to  $5.5V$ ,  $V_{SS} = AV_{SS} = 0V$ )

Parameter	Symbol	Pin name	Value			Unit	Remarks
			Min	Typ	Max		
Resolution	-	DAx	-	-	12	bit	
Integral Nonlinearity*	INL		- 16	-	+ 16	LSB	
Differential Nonlinearity*	DNL		- 0.98	-	+ 1.5	LSB	
Output voltage offset	$V_{OFF}$		-	-	10.0	mV	When setting 0x000
			- 20.0	-	+ 1.4	mV	When setting 0xFFFF
Analog output impedance	$R_O$		3.10	3.80	4.50	k $\Omega$	D/A operation
		2.0	-	-	M $\Omega$	When D/A stop	
Power supply current*	IDDA	AVCC	260	330	410	$\mu A$	D/A 1unit operation AVCC=3.3V
			400	519	620	$\mu A$	D/A 1unit operation AVCC=5.0V
	IDSA		-	-	14	$\mu A$	When D/A stop

\*: During no load

# MB9B460L Series

## 7. Low-Voltage Detection Characteristics

### (1) Low-Voltage Detection Reset

Parameter	Symbol	Conditions	Value			Unit	Remarks
			Min	Typ	Max		
Detected voltage	VDL	-	2.25	2.45	2.65	V	When voltage drops
Released voltage	VDH	-	2.30	2.50	2.70	V	When voltage rises

### (2) Interrupt of Low-Voltage Detection

Parameter	Symbol	Conditions	Value			Unit	Remarks
			Min	Typ	Max		
Detected voltage	VDL	SVHI = 00111	2.58	2.8	3.02	V	When voltage drops
Released voltage	VDH		2.67	2.9	3.13	V	When voltage rises
Detected voltage	VDL	SVHI = 00100	2.76	3.0	3.24	V	When voltage drops
Released voltage	VDH		2.85	3.1	3.34	V	When voltage rises
Detected voltage	VDL	SVHI = 01100	2.94	3.2	3.45	V	When voltage drops
Released voltage	VDH		3.04	3.3	3.56	V	When voltage rises
Detected voltage	VDL	SVHI = 01111	3.31	3.6	3.88	V	When voltage drops
Released voltage	VDH		3.40	3.7	3.99	V	When voltage rises
Detected voltage	VDL	SVHI = 01110	3.40	3.7	3.99	V	When voltage drops
Released voltage	VDH		3.50	3.8	4.10	V	When voltage rises
Detected voltage	VDL	SVHI = 01001	3.68	4.0	4.32	V	When voltage drops
Released voltage	VDH		3.77	4.1	4.42	V	When voltage rises
Detected voltage	VDL	SVHI = 01000	3.77	4.1	4.42	V	When voltage drops
Released voltage	VDH		3.86	4.2	4.53	V	When voltage rises
Detected voltage	VDL	SVHI = 11000	3.86	4.2	4.53	V	When voltage drops
Released voltage	VDH		3.96	4.3	4.64	V	When voltage rises
LVD stabilization wait time	T <sub>LVDW</sub>	-	-	-	4480× t <sub>CYCP</sub> *	μs	

\*: t<sub>CYCP</sub> indicates the APB2 bus clock cycle time.



## 8. MainFlash Memory Write/Erase Characteristics

(V<sub>CC</sub> = 2.7V to 5.5V)

Parameter		Value			Unit	Remarks
		Min	Typ	Max		
Sector erase time	Large Sector	-	0.7	3.7	s	Includes write time prior to internal erase
	Small Sector		0.3	1.1		
Half word (16-bit) write time	Write cycles ≤ 100	-	12	100	μs	Not including system-level overhead time
	Write cycles > 100			200		
Chip erase time		-	8.0	38.4	s	Includes write time prior to internal erase

Write cycles and data hold time

Erase/Write cycles (cycle)	Data hold time (year)
1,000	20 *
10,000	10 *
100,000	5 *

\* : This value comes from the technology qualification (using Arrhenius equation to translate high temperature acceleration test result into average temperature value at + 85°C) .

## 9. WorkFlash Memory Write/Erase Characteristics

(V<sub>CC</sub> = 2.7V to 5.5V)

Parameter		Value			Unit	Remarks
		Min	Typ	Max		
Sector erase time		-	0.3	1.5	s	Includes write time prior to internal erase
Half word (16-bit) write time		-	20	200	μs	Not including system-level overhead time
Chip erase time		-	1.2	6	s	Includes write time prior to internal erase

Write cycles and data hold time

Erase/Write cycles (cycle)	Data hold time (year)
1,000	20 *
10,000	10 *
100,000	5 *

\* : This value comes from the technology qualification (using Arrhenius equation to translate high temperature acceleration test result into average temperature value at + 85°C) .

# MB9B460L Series

## 10. Standby Recovery Time

(1) Recovery cause: Interrupt/WKUP

The time from recovery cause reception of the internal circuit to the program operation start is shown.

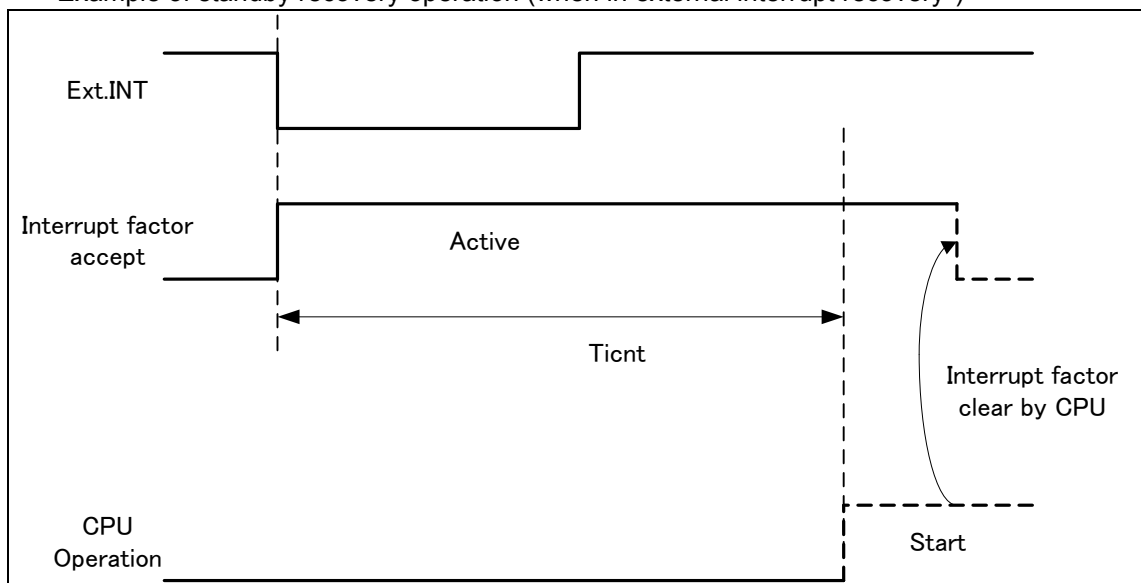
- Recovery count time

( $V_{CC} = 2.7V$  to  $5.5V$ ,  $V_{SS} = 0V$ )

Parameter	Symbol	Value		Unit	Remarks
		Typ	Max*		
Sleep mode	Ticnt	HCLK×1		μs	
High-speed CR Timer mode Main Timer mode PLL Timer mode		40	80	μs	
Low-speed CR timer mode		450	900	μs	
Sub timer mode		881	1136	μs	
RTC mode stop mode (High-speed CR /Main/PLL run mode return)		270	581	μs	
RTC mode stop mode (Low-speed CR/sub run mode return)		240	480		
Deep standby RTC mode with RAM retention Deep standby stop mode with RAM retention		308	667	μs	without RAM retention
		308	667	μs	with RAM retention

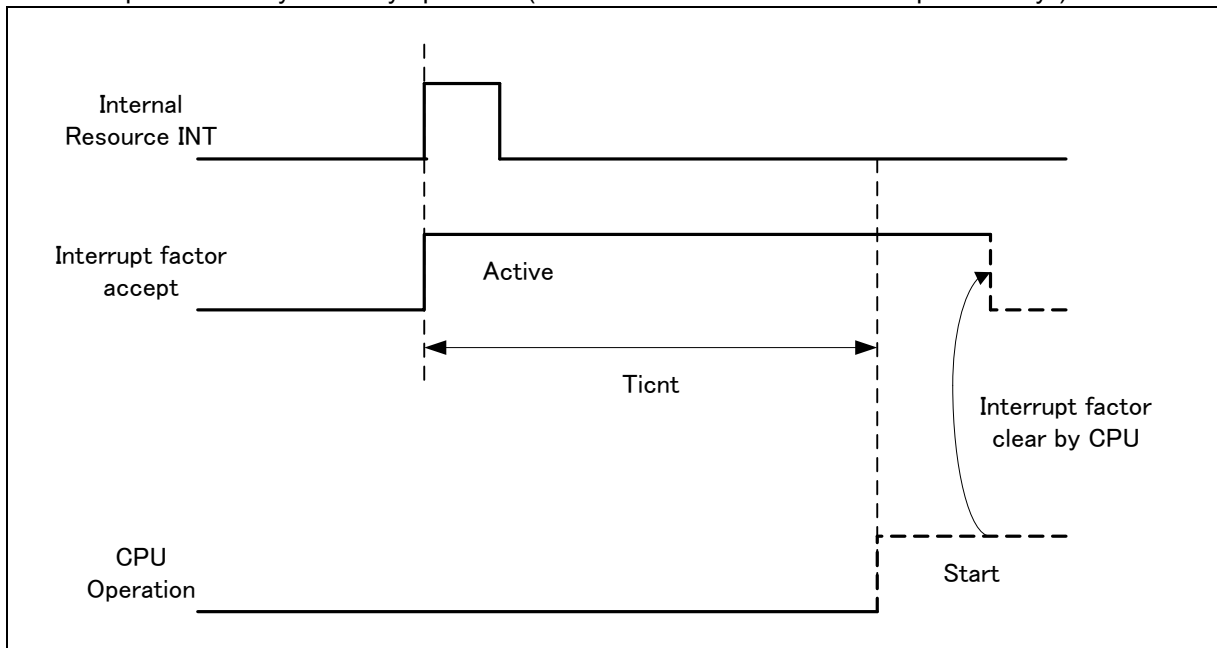
\*: The maximum value depends on the built-in CR accuracy.

- Example of standby recovery operation (when in external interrupt recovery\*)



\*: External interrupt is set to detecting fall edge.

- Example of standby recovery operation (when in internal resource interrupt recovery\*)



\*: Depending on the standby mode, interrupt from the internal resource is not included in the recovery cause.

- Notes:
- The return factor is different in each Low-Power consumption modes.  
See "Chapter: Low Power Consumption Mode" and "Operations of Standby Modes" in FM4 Family PERIPHERAL MANUAL.
  - When interrupt recovers, the operation mode that CPU recovers depends on the state before the Low-Power consumption mode transition. See "CHAPTER: Low Power Consumption Mode" in "FM4 Family PERIPHERAL MANUAL".

# MB9B460L Series

(2) Recovery cause: Reset

The time from reset release to the program operation start is shown.

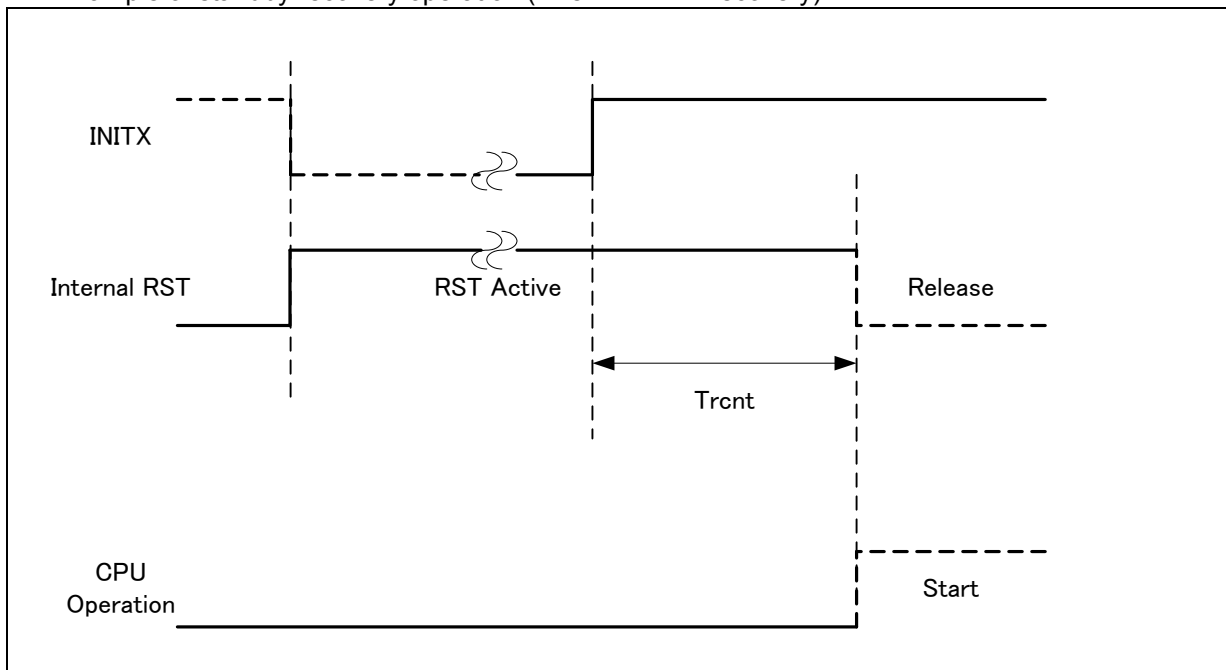
- Recovery count time

(V<sub>CC</sub> = 2.7V to 5.5V, V<sub>SS</sub> = 0V)

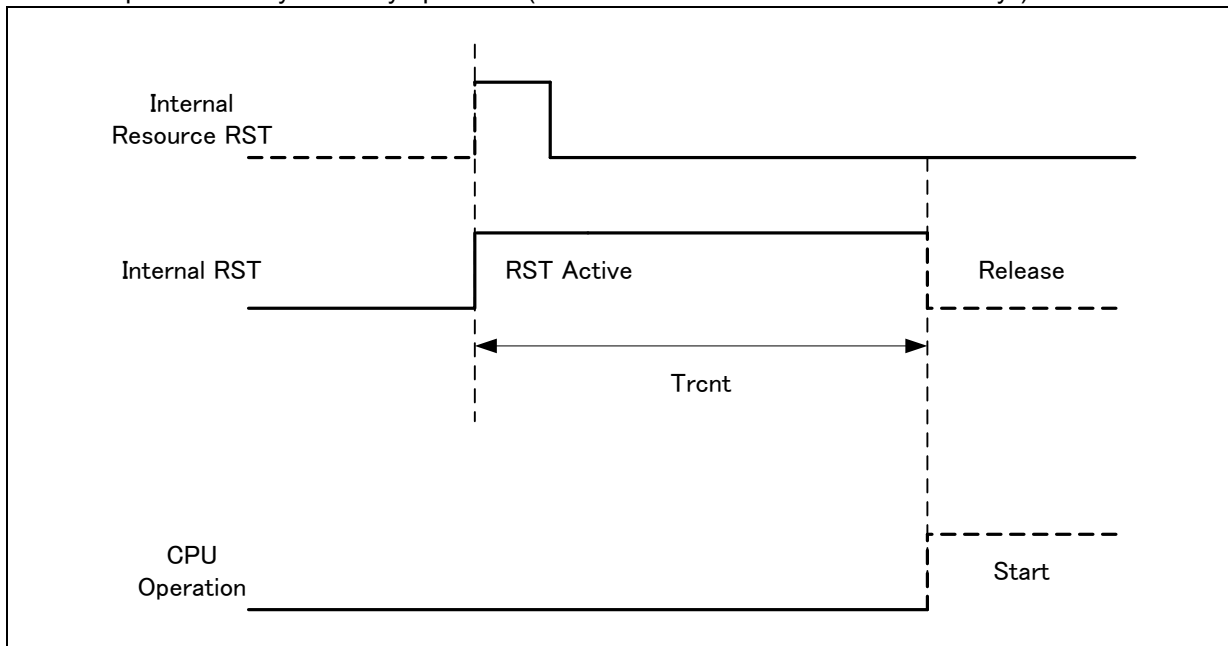
Parameter	Symbol	Value		Unit	Remarks
		Typ	Max*		
Sleep mode	Trcnt	116	266	μs	
High-speed CR Timer mode Main Timer mode PLL Timer mode		116	266	μs	
Low-speed CR timer mode		258	567	μs	
Sub timer mode		258	567	μs	
RTC mode stop mode		258	567	μs	
Deep standby RTC mode with RAM retention Deep standby stop mode with RAM retention		308	668	μs	without RAM retention
		308	668	μs	with RAM retention

\*: The maximum value depends on the built-in CR accuracy.

- Example of standby recovery operation (when in INITX recovery)



- Example of standby recovery operation (when in internal resource reset recovery\*)



\*: Depending on the standby mode, the reset issue from the internal resource is not included in the recovery cause.

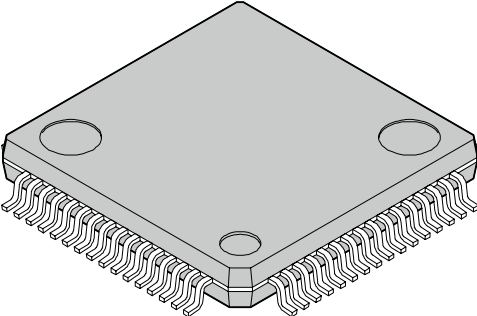
- Notes:
- The return factor is different in each Low-Power consumption modes.  
See "Chapter: Low Power Consumption Mode" and "Operations of Standby Modes" in FM4 Family PERIPHERAL MANUAL.
  - The time during the power-on reset/low-voltage detection reset is excluded to the recovery source. See "(6) Power-on Reset Timing" in "4. AC Characteristics" in "■ELECTRICAL CHARACTERISTICS" for the detail on the time during the power-on reset/low-voltage detection reset.
  - When in recovery from reset, CPU changes to the high-speed CR run mode. When using the main clock or the PLL clock, it is necessary to add the main clock oscillation stabilization wait time or the main PLL clock stabilization wait time.
  - The internal resource reset means the watchdog reset and the CSV reset.

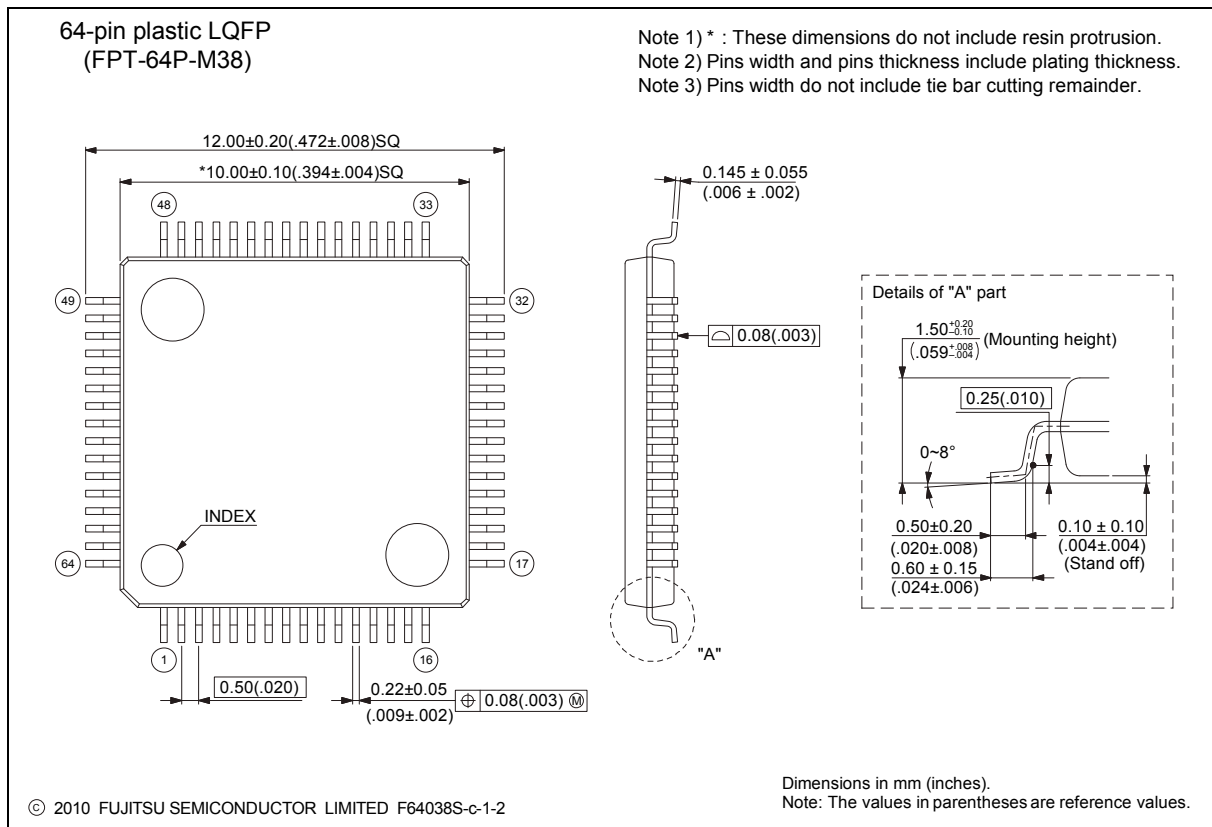
# MB9B460L Series

## ■ ORDERING INFORMATION

Part number	Package
MB9BF464LPMC1	Plastic • LQFP (0.5mm pitch), 64 pin (FPT-64P-M38)
MB9BF465LPMC1	
MB9BF466LPMC1	
MB9BF464LPMC	Plastic • LQFP (0.65mm pitch), 64 pin (FPT-64P-M39)
MB9BF465LPMC	
MB9BF466LPMC	
MB9BF464KPMC	Plastic • LQFP (0.5mm pitch), 48 pin (FPT-48P-M49)
MB9BF465KPMC	
MB9BF466KPMC	
MB9BF464LQN	Plastic • QFN (0.5mm pitch), 64 pin (LCC-64P-M24)
MB9BF465LQN	
MB9BF466LQN	
MB9BF464KQN	Plastic • QFN (0.5mm pitch), 48 pin (LCC-48P-M73)
MB9BF465KQN	
MB9BF466KQN	

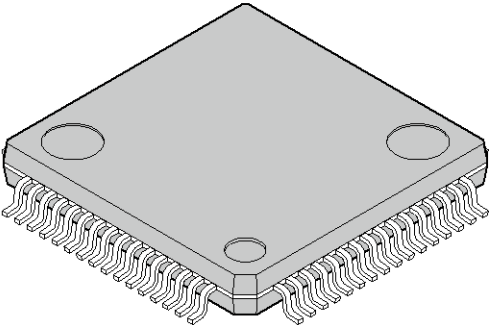
## ■ PACKAGE DIMENSIONS

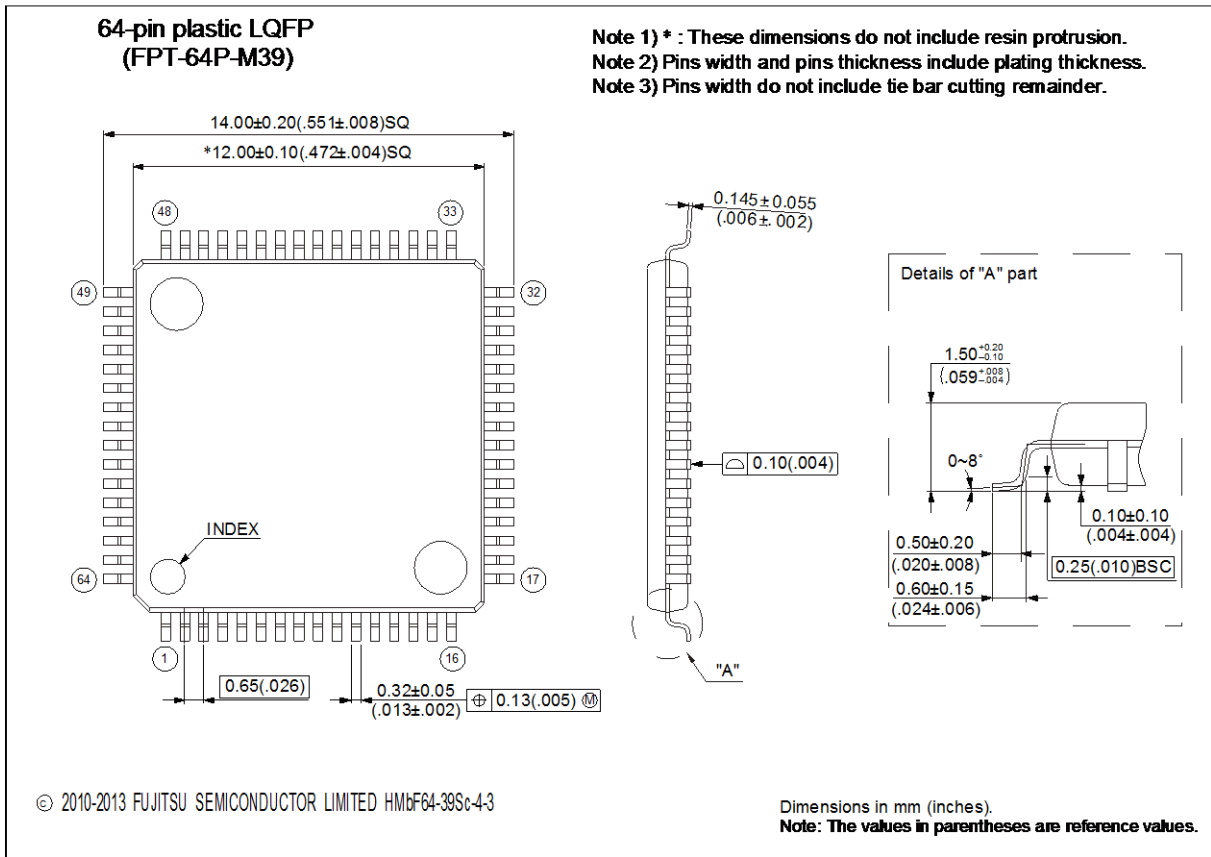
<p>64-pin plastic LQFP</p>  <p>(FPT-64P-M38)</p>	Lead pitch	0.50 mm
	Package width × package length	10.00 mm × 10.00 mm
	Lead shape	Gullwing
	Lead bend direction	Normal bend
	Sealing method	Plastic mold
	Mounting height	1.70 mm MAX
	Weight	0.32 g



Please check the latest package dimension at the following URL.  
<http://edevice.fujitsu.com/package/en-search/>

# MB9B460L Series

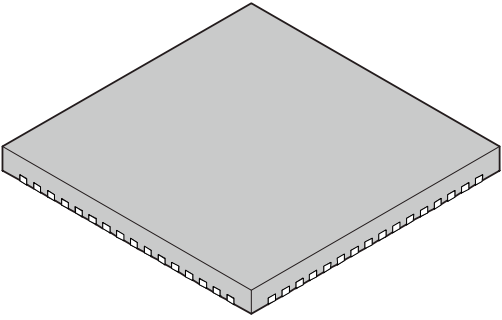
<p style="text-align: center;"><b>64-pin plastic LQFP</b></p>  <p style="text-align: center;">(FPT-64P-M39)</p>	<b>Lead pitch</b>	<b>0.65 mm</b>
	<b>Package width × package length</b>	<b>12.00 mm × 12.00 mm</b>
	<b>Lead shape</b>	<b>Gullwing</b>
	<b>Sealing method</b>	<b>Plastic mold</b>
	<b>Mounting height</b>	<b>1.70 mm MAX</b>
	<b>Weight</b>	<b>0.47 g</b>

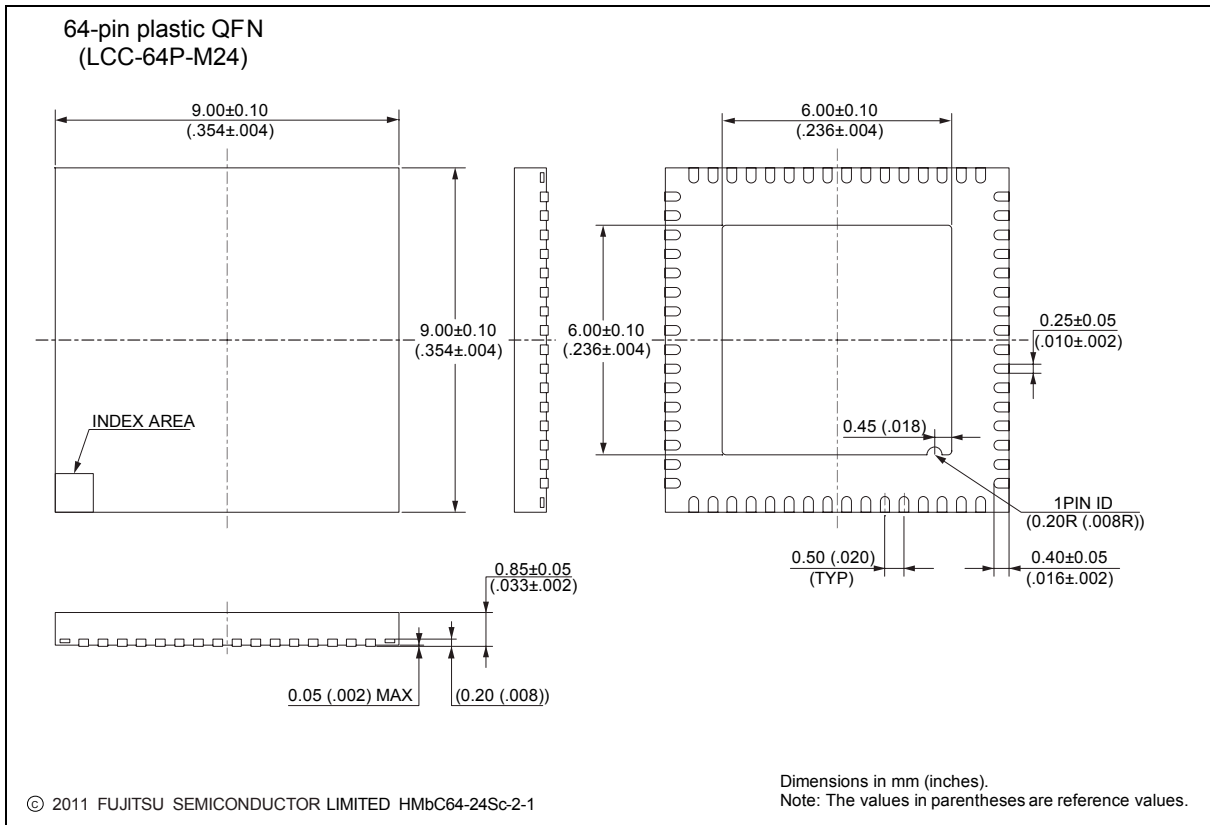


Please check the latest package dimension at the following URL.  
<http://edevice.fujitsu.com/package/en-search/>



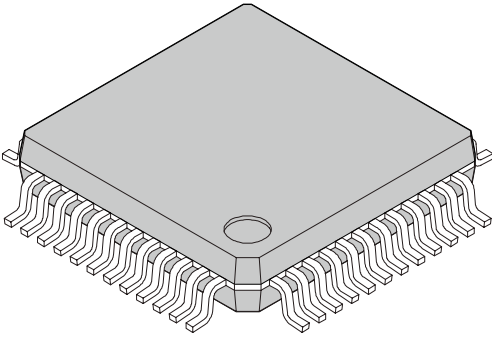
# MB9B460L Series

<p>64-pin plastic QFN</p>  <p>(LCC-64P-M24)</p>	Lead pitch	0.50 mm
	Package width × package length	9.00 mm × 9.00 mm
	Sealing method	Plastic mold
	Mounting height	0.90 mm MAX
	Weight	-



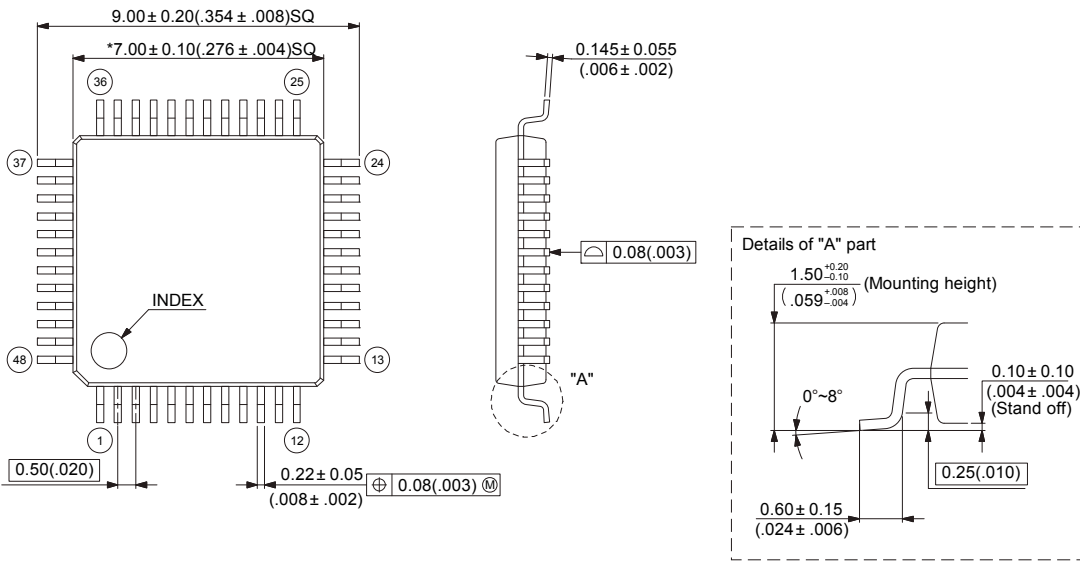
Please check the latest package dimension at the following URL.  
<http://edevice.fujitsu.com/package/en-search/>

# MB9B460L Series

<p style="text-align: center;">48-pin plastic LQFP</p>  <p style="text-align: center;">(FPT-48P-M49)</p>	Lead pitch	0.50 mm
	Package width × package length	7.00 mm × 7.00 mm
	Lead shape	Gullwing
	Lead bend direction	Normal bend
	Sealing method	Plastic mold
	Mounting height	1.70 mm MAX
	Weight	0.17 g

48-pin plastic LQFP  
(FPT-48P-M49)

Note 1) \* : These dimensions do not include resin protrusion.  
 Note 2) Pins width and pins thickness include plating thickness.  
 Note 3) Pins width do not include tie bar cutting remainder.

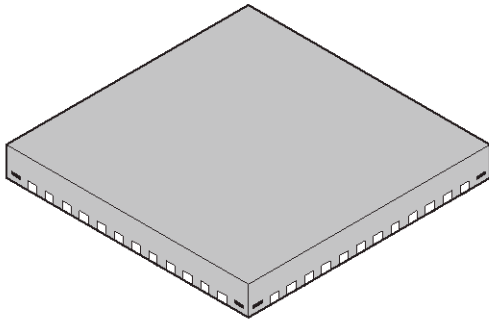


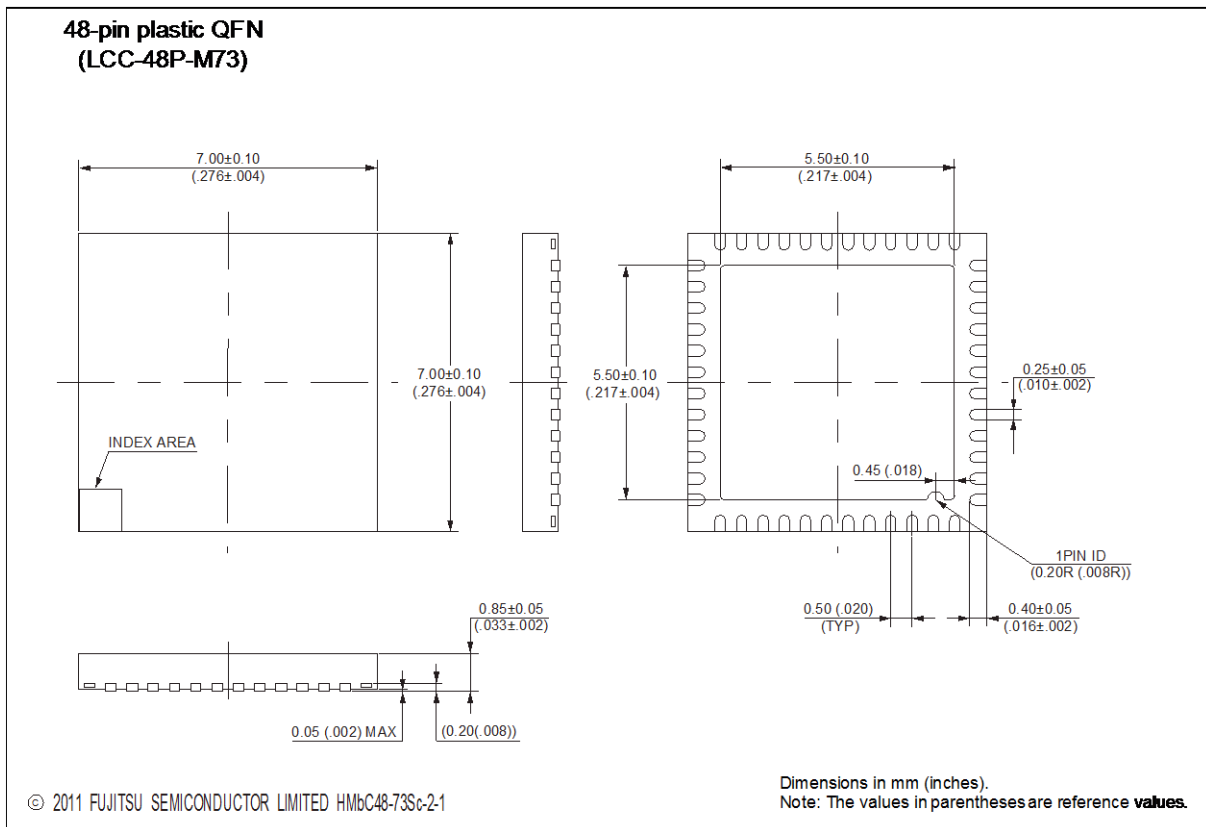
Dimensions in mm (inches).  
 Note: The values in parentheses are reference values.

© 2010 FUJITSU SEMICONDUCTOR LIMITED HMBF48-49Sc-1-2

Please check the latest package dimension at the following URL.  
<http://edevice.fujitsu.com/package/en-search/>

# MB9B460L Series

<p style="text-align: center;"><b>48-pin plastic QFN</b></p>  <p style="text-align: center;">(LCC-48P-M73)</p>	<b>Lead pitch</b>	<b>0.5 mm</b>
	<b>Package width × package length</b>	<b>7.00 mm × 7.00 mm</b>
	<b>Sealing method</b>	<b>Plastic mold</b>
	<b>Mounting height</b>	<b>0.90 mm MAX</b>
	<b>Weight</b>	—



Please check the latest package dimension at the following URL.  
<http://edevice.fujitsu.com/package/en-search/>

# MB9B460L Series

## ■ MAJOR CHANGES IN THIS EDITION

A change on a page is indicated by a vertical line drawn on the left side of that page.

Page	Section	Change Results
-	-	Preliminary → Data Sheet
31 to 34	■I/O CIRCUIT TYPE	Added the following description to Remarks of Type F, G, I, L, M, N : When this pin is used as an I2C pin, the digital output P-ch transistor is always off
35 to 36		Added the following description to Remarks of Type O, P, Q: For I/O setting, refer to VBAT Domain in the PERIPHERAL MANUAL
43	■HANDLING DEVICES ●Handling when using debug pins	Added new section
44	■BLOCK DIAGRAM	Revised the block diagram
57	■ELECTRICAL CHARACTERISTICS 2. Recommended Operating Conditions	Added the note to “AVRH”
		Revised “Table for package thermal resistance and maximum permissible power”
		Revised “Icc(leakmax)”
58		
60 to 65	■ELECTRICAL CHARACTERISTICS 3. DC Characteristics (1) Current Rating	<ul style="list-style-type: none"> <li>Revised the value of TBD</li> <li>Added the note to “I<sub>CC</sub>”</li> <li>Added the note to “I<sub>CCVBAT</sub>”</li> </ul>
70	■ELECTRICAL CHARACTERISTICS 4. AC Characteristics (2) Sub Clock Input Characteristics	Revised the waveform chart : V <sub>CC</sub> → V <sub>BAT</sub>
70	■ELECTRICAL CHARACTERISTICS 4. AC Characteristics (3) Built-in CR Oscillation Characteristics	<ul style="list-style-type: none"> <li>Revised the value of TBD</li> <li>Revised the table and the note of “Built-in High-speed CR”</li> </ul>
71	■ELECTRICAL CHARACTERISTICS 4. AC Characteristics (4-1) Operating Conditions of Main PLL(In the case of using main clock for input clock of PLL)	<ul style="list-style-type: none"> <li>Revised the table and the note</li> </ul>
71	■ELECTRICAL CHARACTERISTICS 4. AC Characteristics (4-2) Operating Conditions of Main PLL(In the case of using built-in high-speed CR clock for input clock of main PLL)	<ul style="list-style-type: none"> <li>Revised the value of TBD</li> <li>Revised the table and the note</li> </ul>
106	■ELECTRICAL CHARACTERISTICS 5. 12-bit A/D Converter · Electrical Characteristics for the A/D Converter	<ul style="list-style-type: none"> <li>Revised the value of TBD</li> <li>Revised the condition of the electrical characteristics table</li> <li>Revised the description of "Reference voltage"</li> </ul>
109	■ELECTRICAL CHARACTERISTICS 6. 12-bit D/A Converter · Electrical Characteristics for the D/A Converter	<ul style="list-style-type: none"> <li>Revised the value of TBD</li> <li>Revised the condition of the electrical characteristics table</li> <li>Revised the remarks of “IDDA”</li> </ul>

Page	Section	Change Results
112	■ELECTRICAL CHARACTERISTICS 11. Standby Recovery Time (1) Recovery cause: Interrupt/WKUP	<ul style="list-style-type: none"><li>• Revised the value of TBD</li><li>• Revised the table of Recovery count time</li></ul>
114	■ELECTRICAL CHARACTERISTICS 11. Standby Recovery Time (2) Recovery cause:Reset	<ul style="list-style-type: none"><li>• Revised the value of TBD</li><li>• Revised the table of Recovery count time</li></ul>

# MB9B460L Series

**All Rights Reserved.**

FUJITSU SEMICONDUCTOR LIMITED, its subsidiaries and affiliates (collectively, "FUJITSU SEMICONDUCTOR") reserves the right to make changes to the information contained in this document without notice. Please contact your FUJITSU SEMICONDUCTOR sales representatives before order of FUJITSU SEMICONDUCTOR device.

Information contained in this document, such as descriptions of function and application circuit examples is presented solely for reference to examples of operations and uses of FUJITSU SEMICONDUCTOR device. FUJITSU SEMICONDUCTOR disclaims any and all warranties of any kind, whether express or implied, related to such information, including, without limitation, quality, accuracy, performance, proper operation of the device or non-infringement. If you develop equipment or product incorporating the FUJITSU SEMICONDUCTOR device based on such information, you must assume any responsibility or liability arising out of or in connection with such information or any use thereof. FUJITSU SEMICONDUCTOR assumes no responsibility or liability for any damages whatsoever arising out of or in connection with such information or any use thereof.

Nothing contained in this document shall be construed as granting or conferring any right under any patents, copyrights, or any other intellectual property rights of FUJITSU SEMICONDUCTOR or any third party by license or otherwise, express or implied. FUJITSU SEMICONDUCTOR assumes no responsibility or liability for any infringement of any intellectual property rights or other rights of third parties resulting from or in connection with the information contained herein or use thereof.

The products described in this document are designed, developed and manufactured as contemplated for general use including without limitation, ordinary industrial use, general office use, personal use, and household use, but are not designed, developed and manufactured as contemplated (1) for use accompanying fatal risks or dangers that, unless extremely high levels of safety is secured, could lead directly to death, personal injury, severe physical damage or other loss (including, without limitation, use in nuclear facility, aircraft flight control system, air traffic control system, mass transport control system, medical life support system and military application), or (2) for use requiring extremely high level of reliability (including, without limitation, submersible repeater and artificial satellite). FUJITSU SEMICONDUCTOR shall not be liable for you and/or any third party for any claims or damages arising out of or in connection with above-mentioned uses of the products.

Any semiconductor devices fail or malfunction with some probability. You are responsible for providing adequate designs and safeguards against injury, damage or loss from such failures or malfunctions, by incorporating safety design measures into your facility, equipments and products such as redundancy, fire protection, and prevention of overcurrent levels and other abnormal operating conditions.

The products and technical information described in this document are subject to the Foreign Exchange and Foreign Trade Control Law of Japan, and may be subject to export or import laws or regulations in U.S. or other countries. You are responsible for ensuring compliance with such laws and regulations relating to export or re-export of the products and technical information described herein.

All company names, brand names and trademarks herein are property of their respective owners.